

Model J-P3 (G106)

PARTS CATALOG

First edition, February 2004

Ricoh Company, LTD.

Model J-P3 (G106)

PARTS CATALOG

This catalog gives the numbers and names of parts on this machine.

Model J-P3	(G106)
Paper Feed Unit	
	(G567 17/26/27/57/66/67 1Tray)
Paper Feed Unit	
	(G568 17/26/27/57/66/67 2Tray)
Paper Bank Type 7100	(G569)
SR770	(G565)
SR910/Punch Kit Type 2238	(B602/B647)
Duplex Unit Type 7100	(G382)
Punch Kit Type 1045	(B377)

Model J-P3 (G106)

Model J-P3 (G106)

PARTS CATALOG

This catalog gives the numbers and names of parts on this machine.

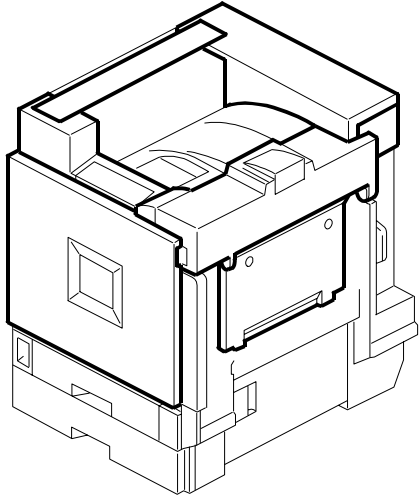
Location of unit	2	18.Transfer Unit 4 (G106).....	42
1.Exterior 1 (G106).....	8	19.Fusing Unit 1 (G106)	44
2.Exterior 2 (G106).....	10	20.Fusing Unit 2 (G106)	46
3.Laser Unit (G106).....	12	21.Paper Exit Section 1 (G106).....	48
4.1st Cassette (G106)	14	22.Paper Exit Section 2 (G106).....	50
5.2nd Cassette (G106).....	16	23.Paper Exit Section 3 (G106).....	52
6.1st Paper Feed Section (G106)	18	24.Paper Exit Section 4 (G106).....	54
7.2nd Paper Feed Section (G106)	20	25.Paper Exit Section 5 (G106).....	56
8.Manual Paper Feed 1 (G106)	24	26.Waste Toner Transfer Section (G106)	58
9.Manual Paper Feed 2 (G106)	26	27.Drive Section 1 (G106)	60
10.Vertical Transport Section (G106).....	22	28.Drive Section 2 (G106)	62
11.Paper Resistration (G106).....	28	29.Drive Section 3 (G106)	64
12.Color Toner Hopper (G106)	30	30.Drive Section 4 (G106)	66
13.Black Toner Hopper (G106)	32	31.Electrical Section 1 (G106).....	68
14.PCU/Development Unit (G106).....	34	32.Electrical Section 2 (G106).....	70
15.Transfer Unit 1 (G106)	36	33.Frame Section 1 (G106)	72
16.Transfer Unit 2 (G106)	38	34.Frame Section 2 (G106)	74
17.Transfer Unit 3 (G106)	40	35.Frame Section 3 (G106).....	76

February ,25 ' 2004

36.Printer Control Board (G106)	78
37.BCU Board (G106)	90
38.Decals And Documents (G106)	104
39.Special Tools (G106).....	108
Parts Index	111

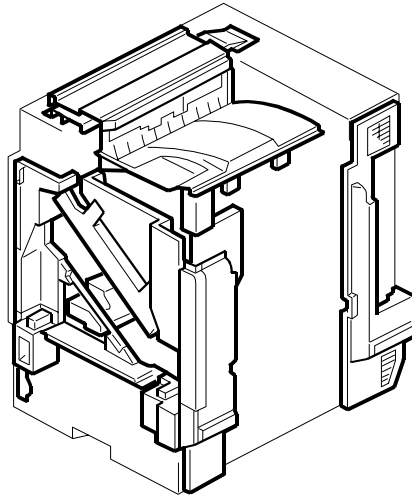
LOCATIONS OF UNITS

1. Exterior 1 (G106)



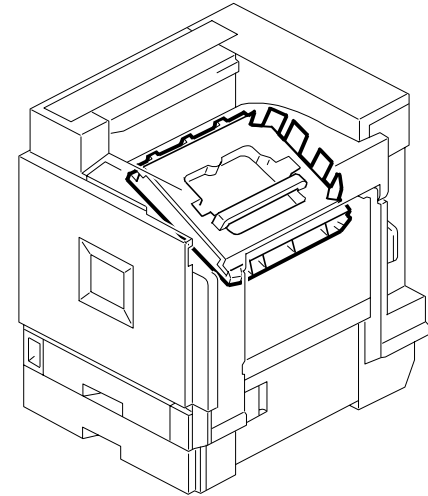
See Page 9

2. Exterior 2 (G106)



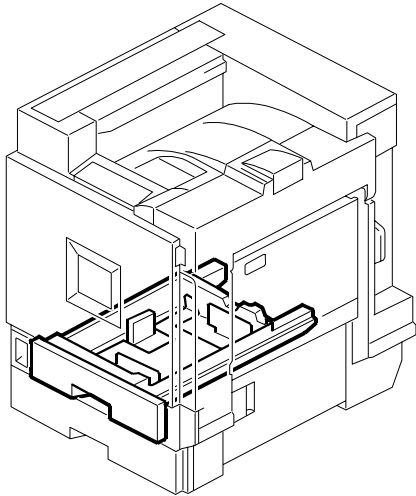
See Page 11

3. Laser Unit (G106)



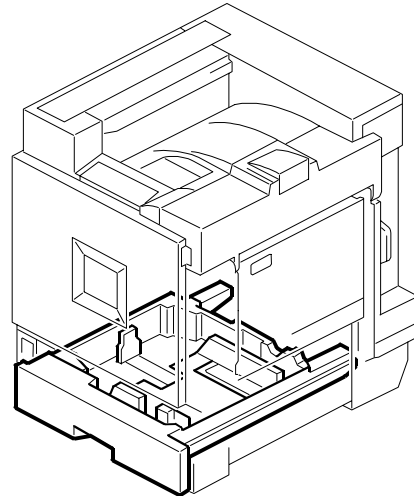
See Page 13

4. 1st Cassette (G106)



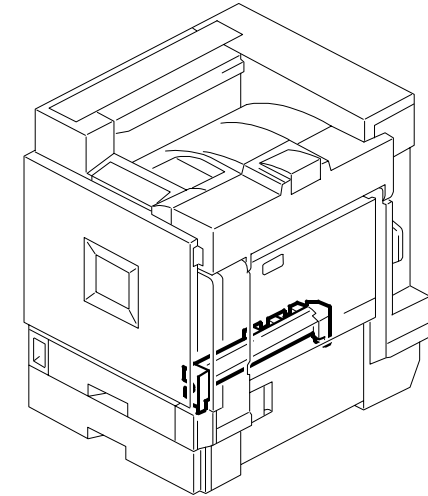
See Page 15

5. 2nd Cassette (G106)



See Page 17

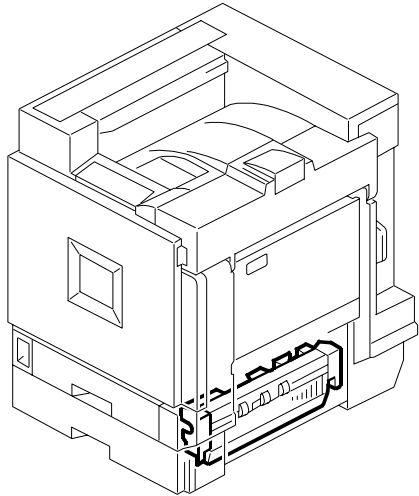
6. 1st Paper Feed Section (G106)



See Page 19

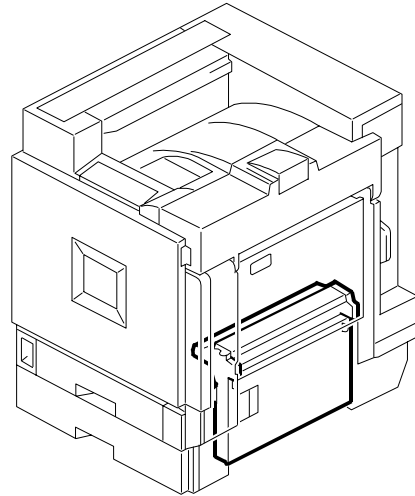
LOCATIONS OF UNITS

7. 2nd Paper Feed Section (G106)



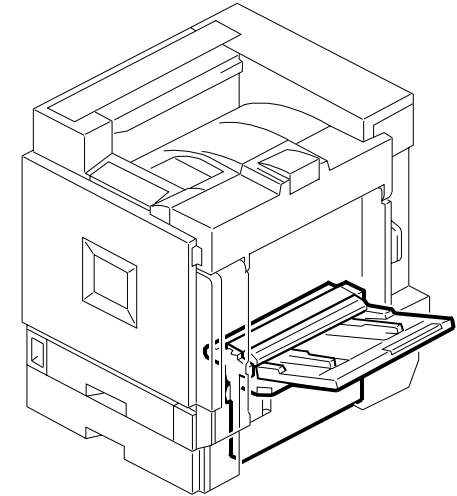
See Page 21

8. Manual Paper Feed 1 (G106)



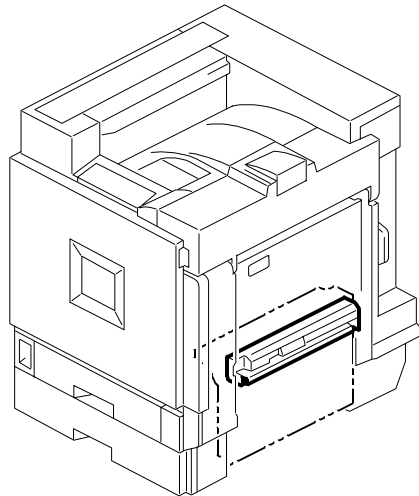
See Page 25

9. Manual Paper Feed 2 (G106)



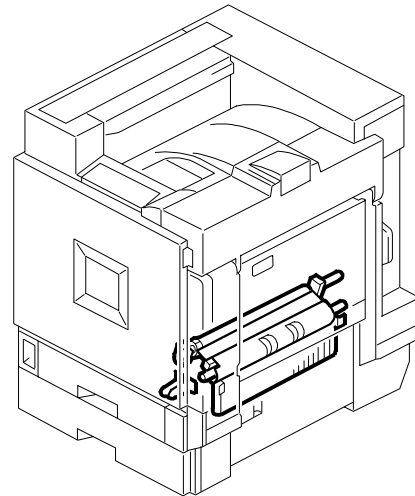
See Page 27

10. Vertical Transport Section (G106)



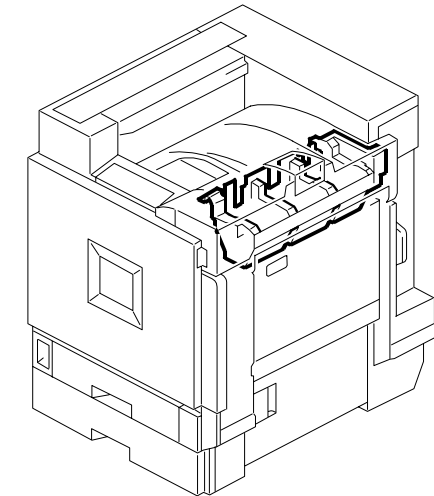
See Page 23

11. Paper Registration (G106)



See Page 29

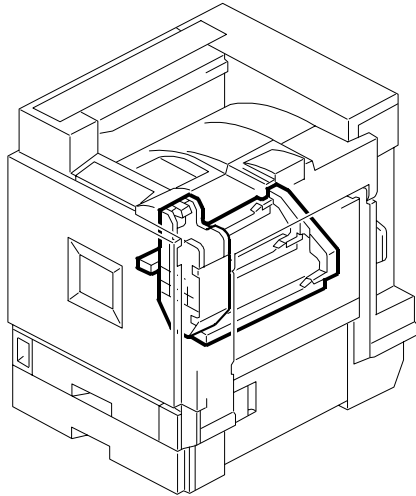
12. Color Toner Hopper (G106)



See Page 31

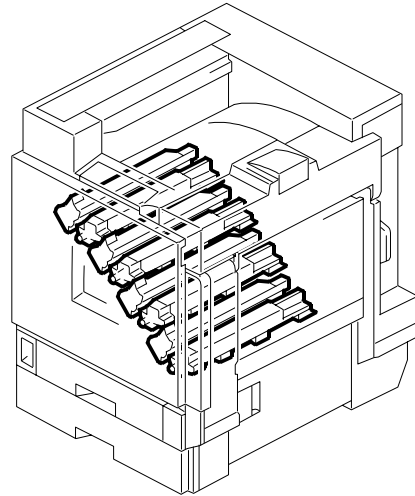
LOCATIONS OF UNITS

13. Black Toner Hopper (G106)



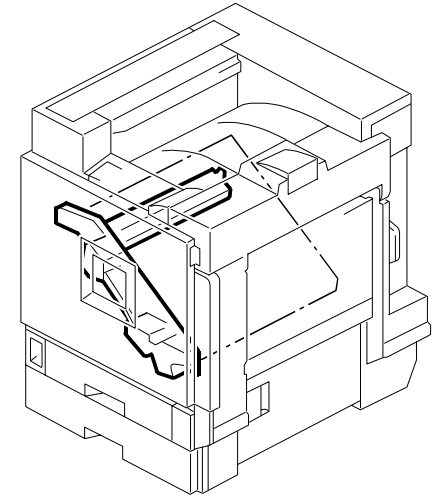
See Page 33

14. PCU/Development Unit (G106)



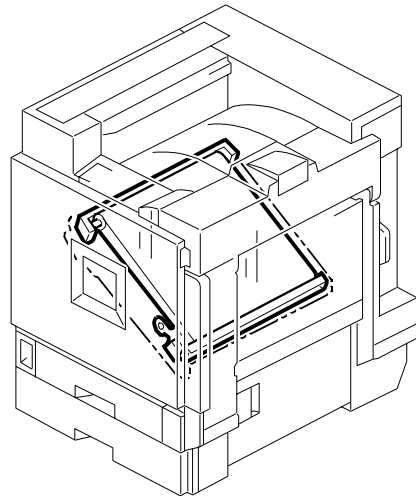
See Page 35

15. Transfer Unit 1 (G106)



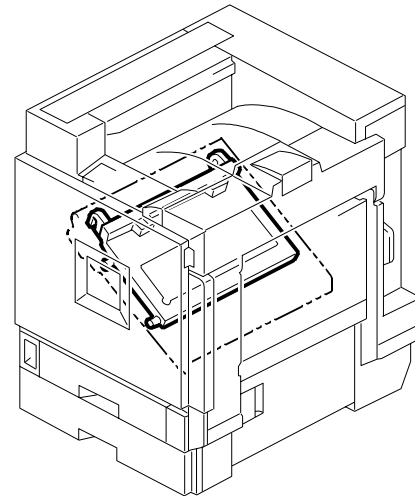
See Page 37

16. Transfer Unit 2 (G106)



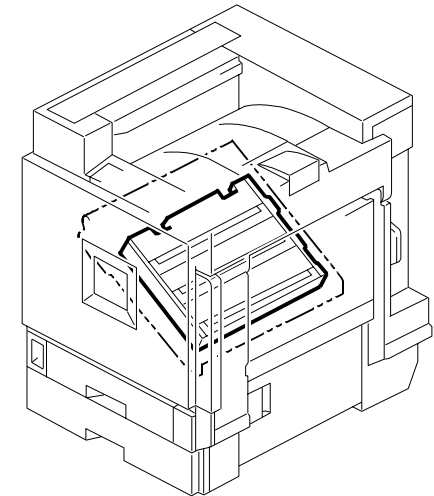
See Page 39

17. Transfer Unit 3 (G106)



See Page 41

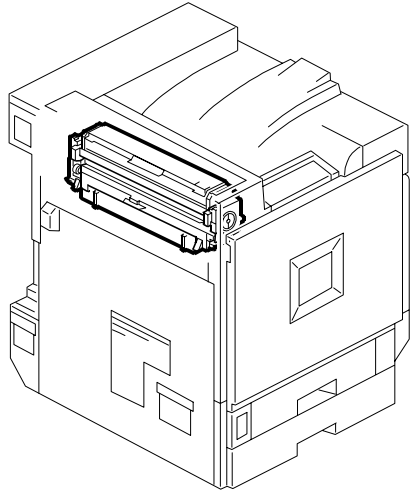
18. Transfer Unit 4 (G106)



See Page 43

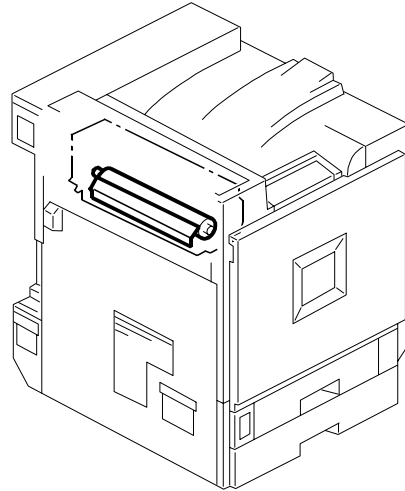
LOCATIONS OF UNITS

19. Fusing Unit 1 (G106)



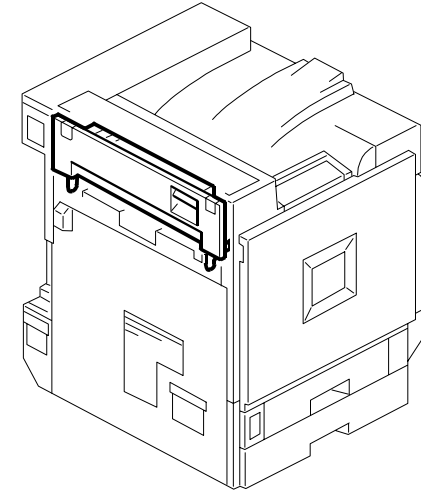
See Page 45

20. Fusing Unit 2 (G106)



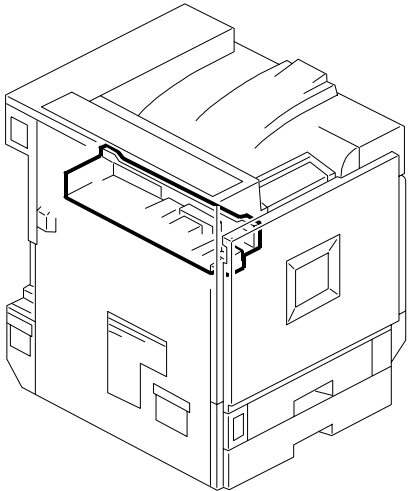
See Page 47

21. Paper Exit Section 1 (G106)



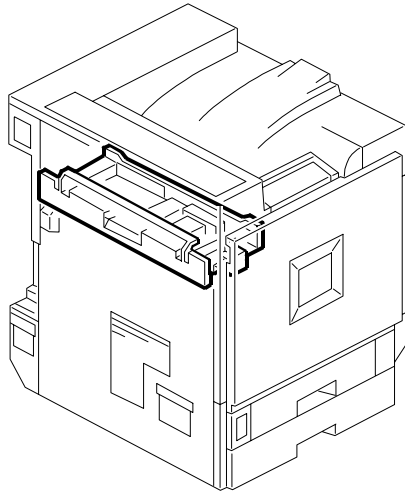
See Page 49

22. Paper Exit Section 2 (G106)



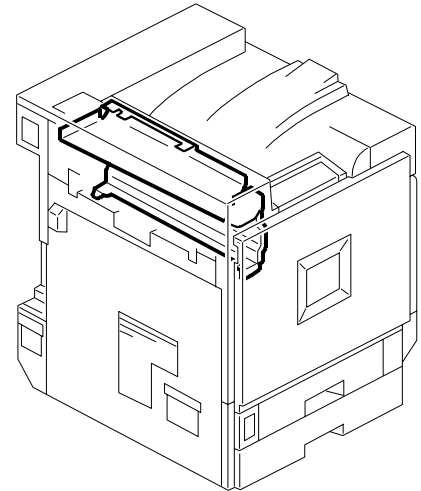
See Page 51

23. Paper Exit Section 3 (G106)



See Page 53

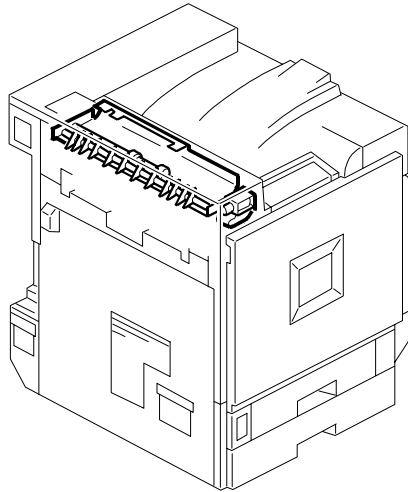
24. Paper Exit Section 4 (G106)



See Page 55

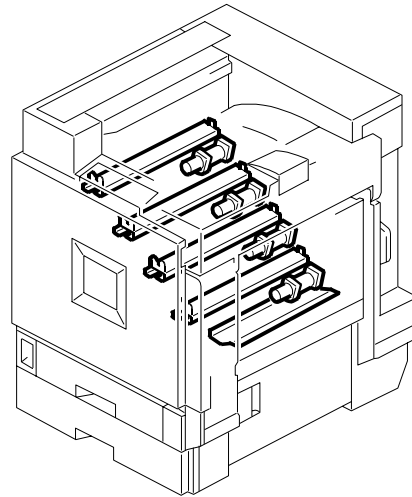
LOCATIONS OF UNITS

25. Paper Exit Section 5 (G106)



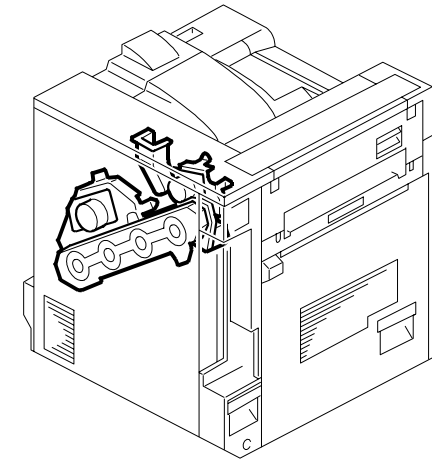
See Page 57

26. Waste Toner Transfer Section (G106)



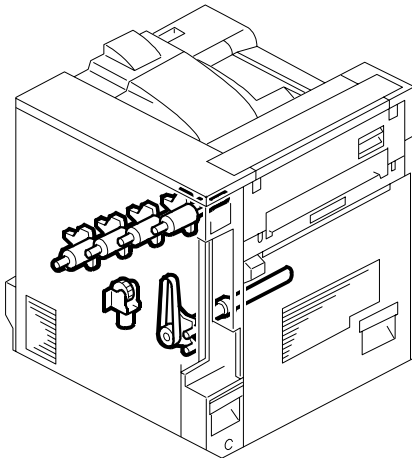
See Page 59

27. Drive Section 1 (G106)



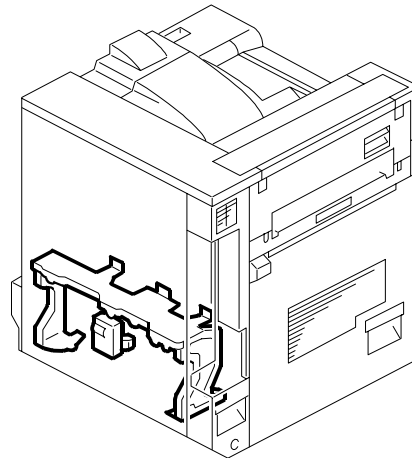
See Page 61

28. Drive Section 2 (G106)



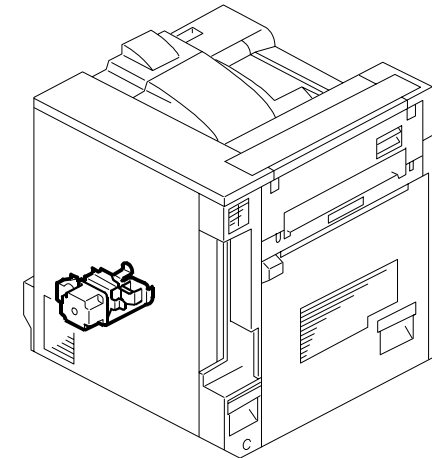
See Page 63

29. Drive Section 3 (G106)



See Page 65

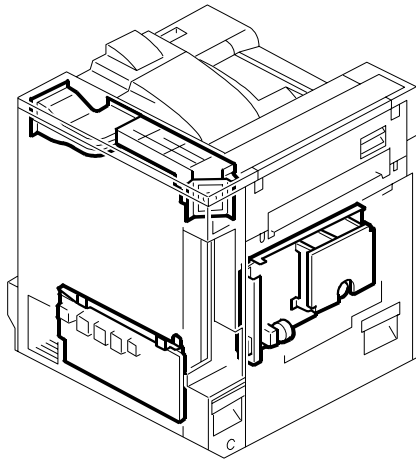
30. Drive Section 4 (G106)



See Page 67

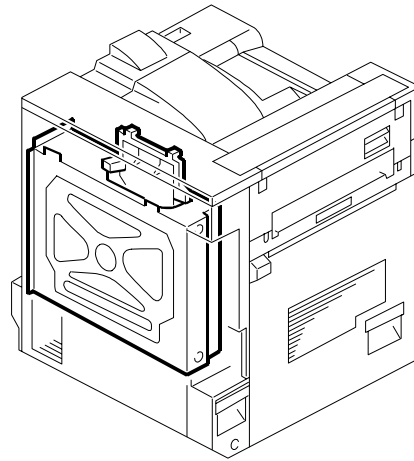
LOCATIONS OF UNITS

31. Electrical Section 1 (G106)



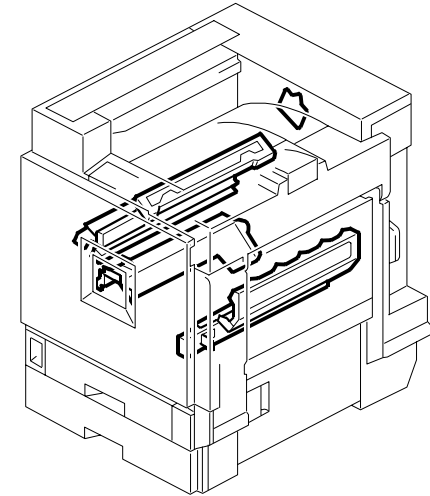
See Page 69

32. Electrical Section 2 (G106)



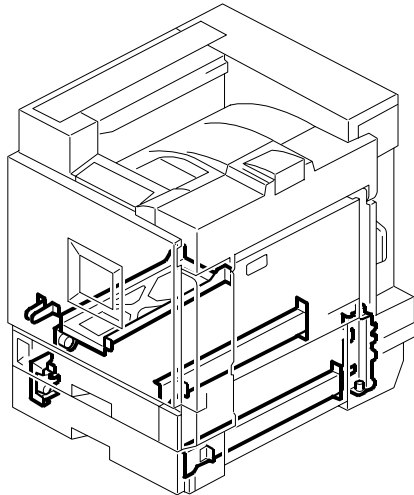
See Page 71

33. Frame Section 1 (G106)



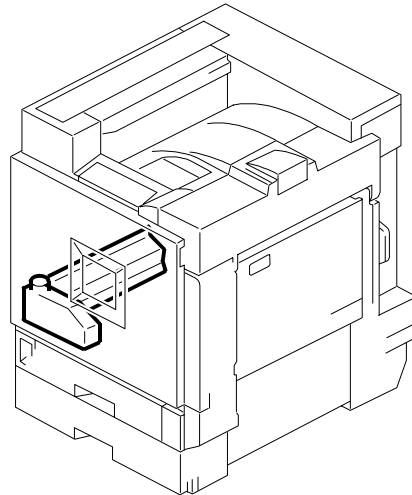
See Page 73

34. Frame Section 2 (G106)



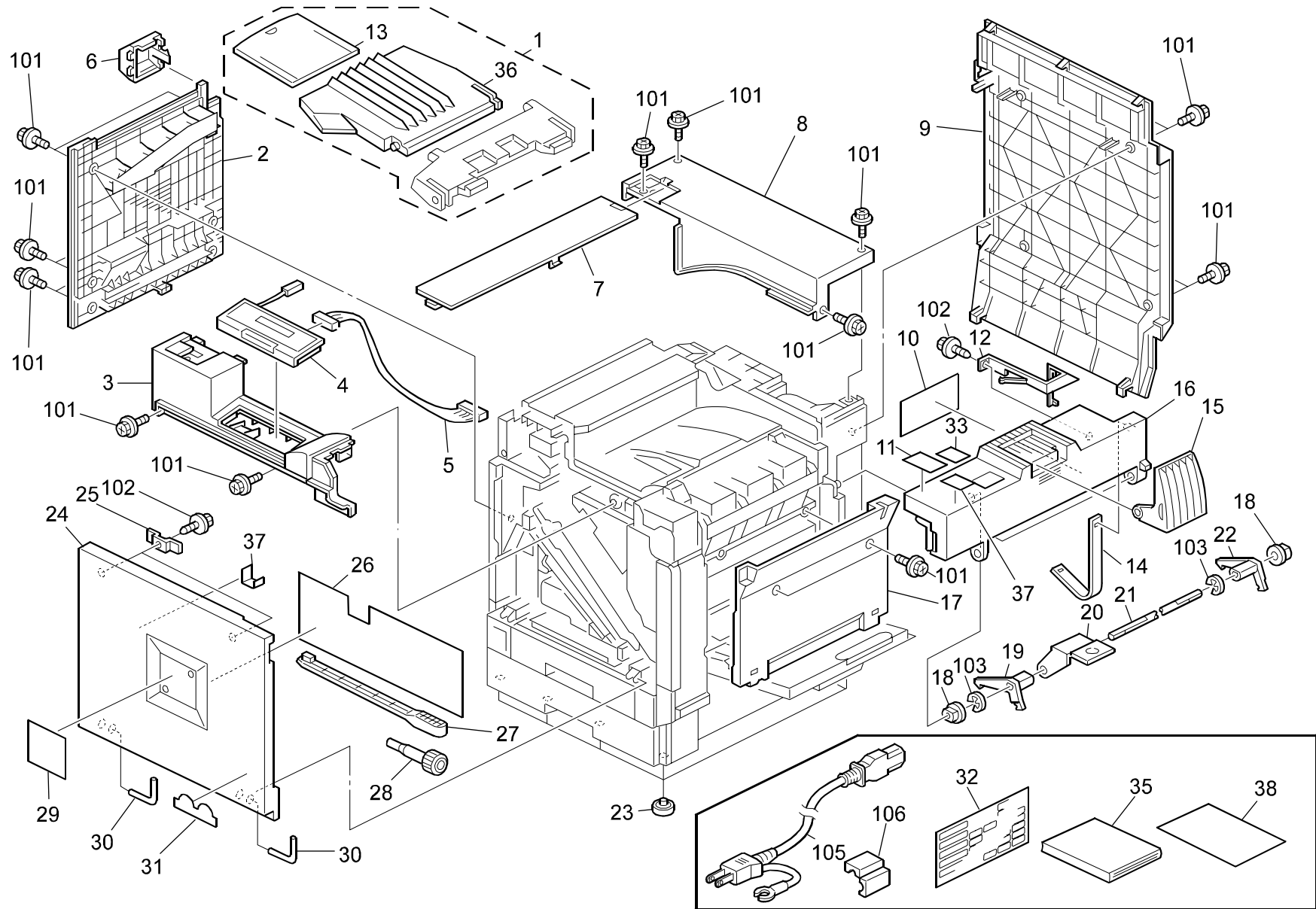
See Page 75

35. Frame Section 3 (G106)



See Page 77

1.Exterior 1 (G106)

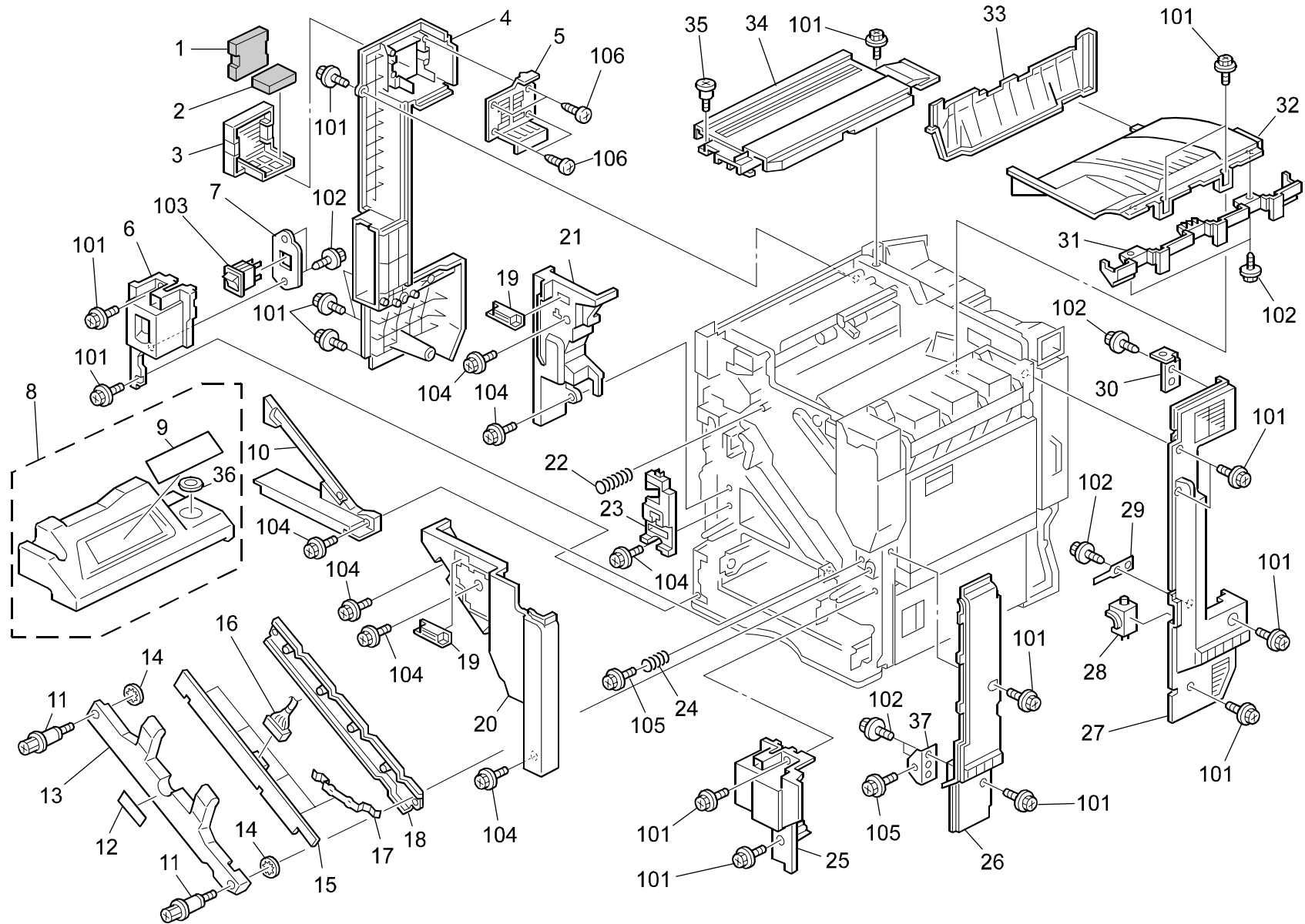


1.Exterior 1 (G106)

Index No.	Part No.	Description	Q'ty Per Assembly
1	G060 4490	Exit Tray	1
2	B101 1220	Left Lower Cover Ass'y	1
3	G080 1283	Inner Cover:Upper	1
4	G106 6110	Operation Panel - NA	1
4	G106 6210	Operation Panel - EU	1
5	G106 5360	Harness - Operation Sub-unit	1
6	G060 1289	Small Cover - Option	1
7	G060 1288	Large Cover - Option	1
8	G080 1272	Cover:Upper:Rear	1
9	G077 1268	Rear Cover	1
10	GA00 3009	Sheet - Toner Supply	1
11	GA00 3038	Decal - Inkjet Paper Caution	1
12	G080 1319	Electrode:Ground Plate	1
13	G060 4492	Sub Exit Tray	1
14	G080 1321	Band:Stopper:Cover:Right Upper	1
15	G060 1293	Exit End Fence	1
16	G080 1265	Cover:Right:Upper	1
17	G080 1224	Inner Cover:Manual Feed:Ass'y	1
18	AA08 2101	Bushing - 6x10x6	2
19	B101 1312	Front Pawl Stopper	1
20	G080 1320	Grip:Cover:Right Upper:Peen	1
21	B101 1314	Stopper Pawl Shaft	1
22	B101 1313	Rear Pawl Stopper	1
23	AH01 0009	Rubber Pad - H5	8
24	G077 1262	Cover:Front	1
25	B024 1264	Magnet Catch	1
26	G106 6106	Sheet:Operate:J-P3:EXP	1
27	B149 1995	Holder:Pad:Ass'y	1
28	G060 2989	Screw Driver	1
29	G106 6192	Decal:Emblem:J-P3C:EXP	1
29	G106 6193	Decal:Emblem:J-P3C:SVN	1
29	G106 6194	Decal:Emblem:J-P3C:Ges:NA	1
29	G106 6195	Decal:Emblem:J-P3C:Lan	1
29	G106 6492	Decal:Emblem:J-P3C:NRG:NSA	1
29	G106 6493	Decal:Emblem:J-P3C:NRG:REX	1

Index No.	Part No.	Description	Q'ty Per Assembly
29	G106 6494	Decal:Emblem:J-P3C:NRG:GES	1
29	G106 6692	Decal:Emblem:J-P3C:INF	1
30	G020 1332	Hinge - Front Cover	2
31	GA00 3034	Decal - Energystar	1
32	GA00 3014	Decal - Paper Tray	1
33	GA00 3069	Decal:Toner Supply:English	1
34	GA16 2002	Sheet:Cover:Front	1
35	G106 7504	Setup Guide (Aisa)	1
35	G106 7510	Maintenance Guide (Asia)	1
36	G060 4491	Exit Tray	1
37	G106 8550	Decal - Paper Jam	1
38	G106 7491	Colar Chart	1
101	0451 3008H	Tapping Screw - M3x8	
102	0450 3008B	Tapping Screw - M3x8	
103	0720 0040E	Retaining Ring - M4	
104	0451 3006B	Tapping Screw - M3x6	
105	1150 0364	Power Supply Code- 250V 10A 2.5M	
105	1150 0366	Power Supply Code:125V:15A:2.5M	
106	1607 0508	Ferrite Coer	

2.Exterior 2 (G106)

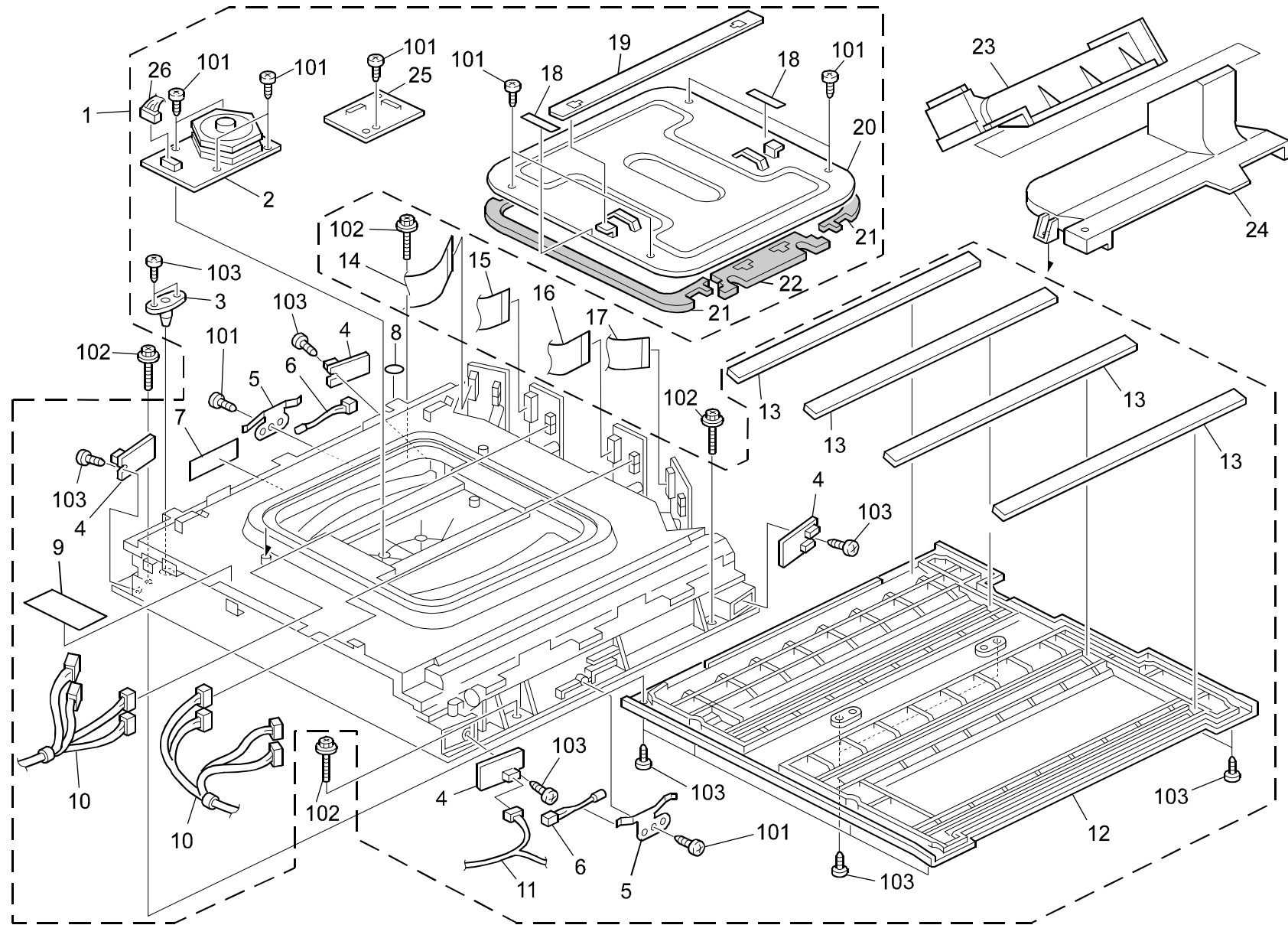


2.Exterior 2 (G106)

Index No.	Part No.	Description	Q'ty Per Assembly
1	GA01 2000	Upper Filter	1
2	GA01 2001	Lower Filter	1
3	G060 1300	Filter Case	1
4	G060 1269	Left Rear Cover	1
5	G060 1281	Louver - Left Rear Cover	1
6	G060 1271	Front Cover - Left Lower	1
7	G060 5813	Bracket - Main Switch	1
8	G060 3600	Collection Bottle - Transfer Belt	1
9	G060 3609	Toner Collection Bottle Decal	1
10	G060 1285	Lower Inner Cover	1
11	G060 2460	Screw - M4X6	2
12	GA00 3025	Decal - Drum Stay	1
13	G060 2455	Cover - Drum Stay	1
14	G060 2461	Nut - M7	2
15	G060 2457	Unit Detection Switch	1
16	G060 5489	Harness - Unit Detection Switch	1
17	G060 2456	Spring Plate- Unit Detection Switch	4
18	G106 2423	Drum Stay	1
19	AG07 1011	Magnet Catch	2
20	G080 1282	Inner Cover:Right	1
21	G080 1284	Inner Cover:Left	1
22	G060 2481	Left Spring - Drum Stay	1
23	G080 1295	Inner Cover:Left:Small	1
24	G060 2482	Right Spring - Drum Stay	1
25	G060 1266	Front Cover - Right Lower	1
26	G060 1287	Front Right Cover	1
27	G080 1267	Cover:Right:Rear	1
28	G060 2949	Magnetic Clutch Cover	1
29	G060 2950	Spring Plate - Clutch Cover	1
30	G060 1280	Supporting Plate - Right Rear Cover	1
31	G080 1294	Inner Cover:Toner Cartridge	1
32	G077 1275	Upper Cover - Exit Tray	1
33	G060 1279	Exit Cover	1
34	G060 1274	Upper Exit Cover	1
35	AA14 3219	Stepped Screw	1

Index No.	Part No.	Description	Q'ty Per Assembly
36	G060 3602	Cap:Bottle	1
37	B101 1302	Supporting Plate:Cover:Right Front:Grip	1
101	0451 3008H	Tapping Screw - M3x8	
102	0450 3008B	Tapping Screw - M3x8	
103	1204 2533	Switch - AJ76200PZ02	
104	0802 5292	Tapping Screw:Round Point:M3x8	
105	0451 3006B	Tapping Screw - M3x6	
106	0452 3008B	Tapping Screw - M3x8	

3.Laser Unit (G106)

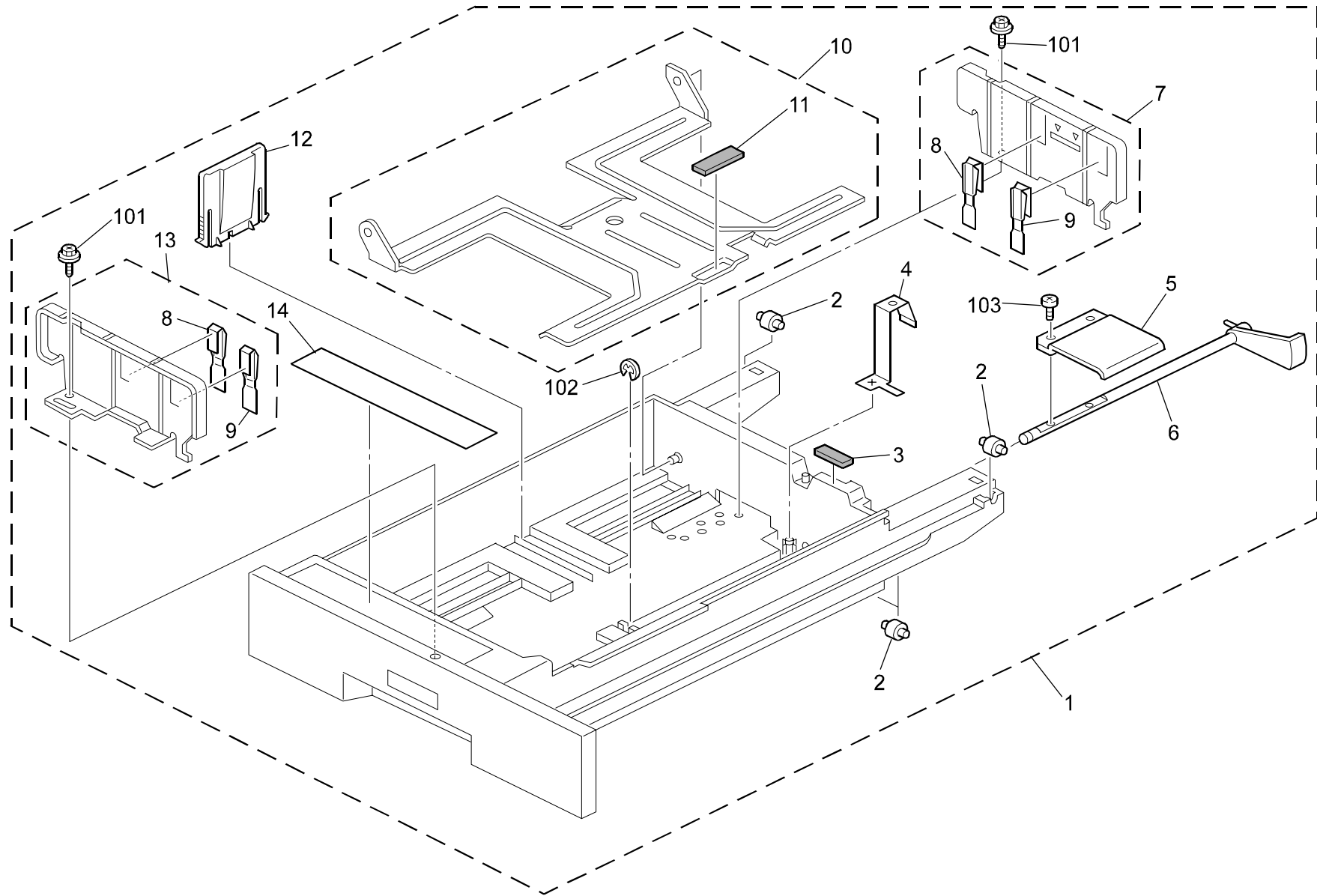


3.Laser Unit (G106)

Index No.	Part No.	Description	Q'ty Per Assembly
1	G106 1854	Imaging Unit	1
2	AX06 0278	Polygon Mirror Motor	1
3	G060 1901	Positioning Pin	1
4	G060 5322	Sync Detector Board	4
5	G060 1908	Thermistor Plate	2
6	AW10 0065	Thermistor - 103AT-4	2
7	AA00 0218	Caution Decal	1
8	G060 1972	Shield:Cover:Upper	1
9	AA00 0227	Decal:Laser Diode:655	1
10	G106 5420	Harness - Imaging Unit	1
11	G080 5494	Harness:Imaging Unit:Sync Detector:Cb	1
12	G060 1975	Lower Cover	1
13	AC01 5035	Shield Glass	2
14	B101 5332	Harness - FFC Y	1
15	B101 5333	Harness - FFC K	1
16	B101 5330	Harness - FFC M	1
17	B101 5331	Harness - FFC C	1
18	G077 1972	Stopper:Grip	1
19	G077 1971	Grip:Imaging Unit	1
20	G077 1904	Cover:Polygon Scanner:Peen	1
21	G077 1906	Shield:Cover:Polygon Scanner:1	2
22	G077 1907	Shield:Cover:Polygon Scanner:2	1
23	G080 1183	Duct:Tray:Exit:Ass'y	1
24	G077 1042	Duct:Imaging Unit	1
25	G106 5445	Polygon Mirror Motor Control Board	1
26	G106 5447	Harness - Polygon Mirror Motor	1

Index No.	Part No.	Description	Q'ty Per Assembly
101	0452 3008B	Tapping Screw - M3x8	
102	0451 3010B	Tapping Screw - M3x10	
103	0452 3010B	Tapping Bind Screw - M3x10	

4.1st Cassette (G106)

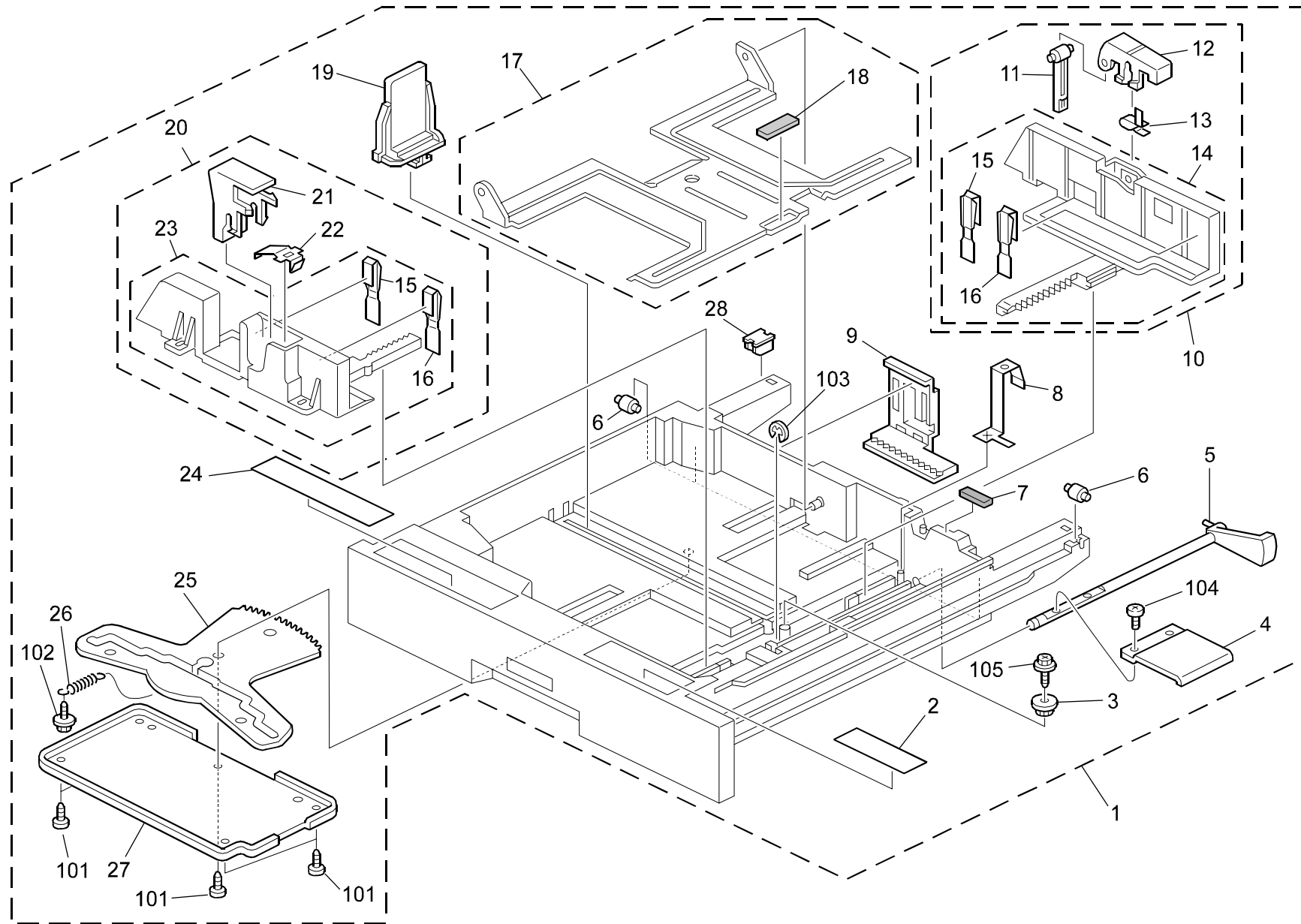


4.1st Cassette (G106)

Index No.	Part No.	Description	Q'ty Per Assembly
1	G080 2768	Paper Tray:No.1:Ass'y	1
2	A232 2987	Roller - Paper Tray	4
3	G313 2782	Shield	1
4	G060 2775	Spring Plate - Paper Tray	1
5	A204 2972	Bottom Lift Lever	1
6	G060 2774	Lift Shaft	1
7	G080 2778	Side Fence:Rear:Fix:Adhesion	1
8	G080 2793	Plate:Side Fence	2
9	G080 2794	Plate:Side Fence:Right	2
10	G060 2770	Tray Bottom Plate:Ass'y	1
11	AF01 3006	Bottom Plate Pad	1
12	AF01 7023	End Fence	1
13	G080 2777	Side Fence:Front:Fix:Adhesion	1
14	GA00 3066	Decal:Paper Tray:No.1	1

Index No.	Part No.	Description	Q'ty Per Assembly
101	0450 4008B	Tapping Screw - 4x8	
102	0720 0060E	Retaining Ring - M6	
103	0354 0060B	Screw - M4X6	

5.2nd Cassette (G106)

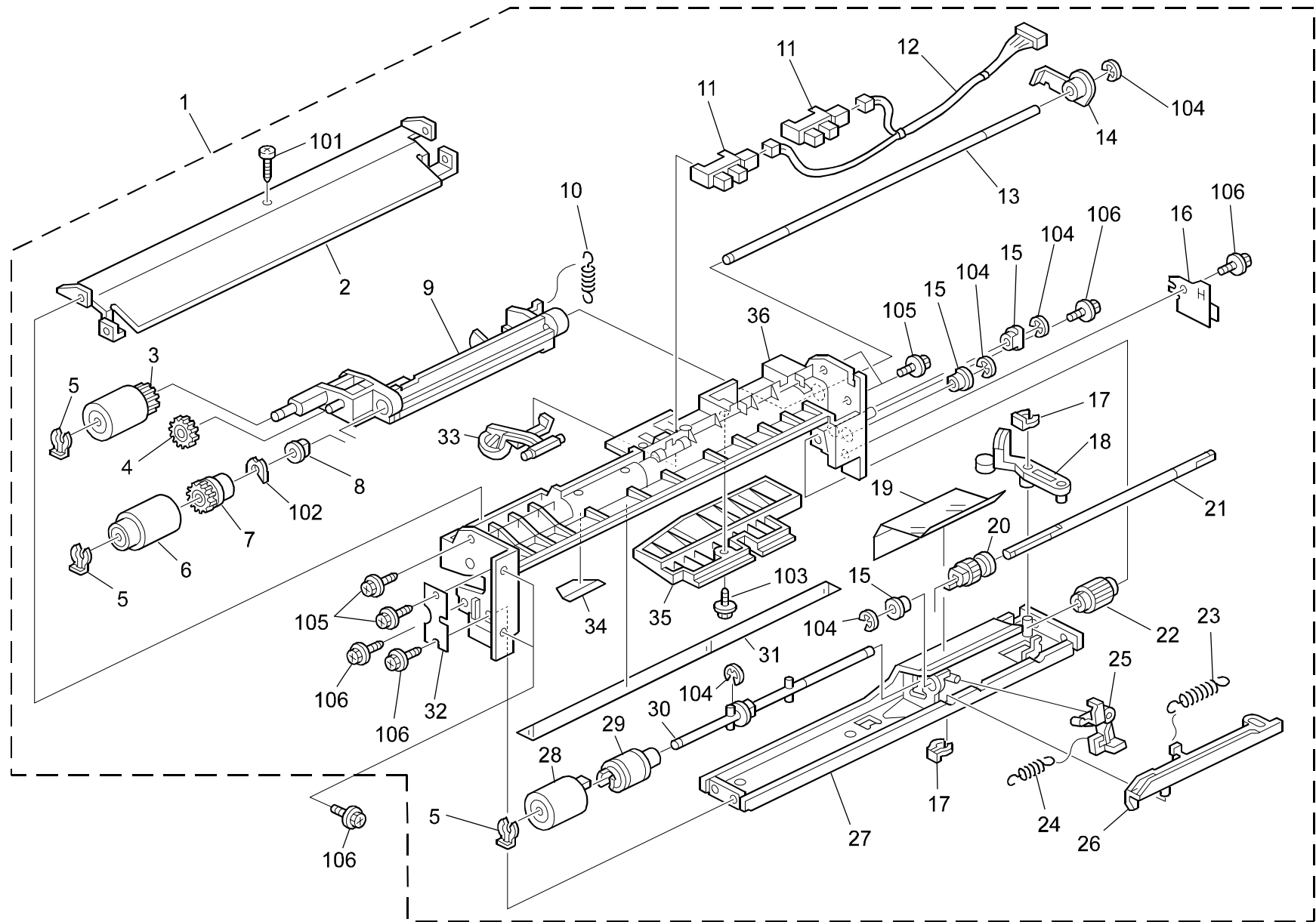


5.2nd Cassette (G106)

Index No.	Part No.	Description	Q'ty Per Assembly
1	G080 2772	Paper Tray:No.2:Ass'y	1
2	GA00 3068	Decal:Paper Tray:No.2:Right	1
3	AB01 3868	Gear - 16Z	1
4	A204 2972	Bottom Lift Lever	1
5	G060 2774	Lift Shaft	1
6	A232 2987	Roller - Paper Tray	3
7	G313 2782	Shield	1
8	G060 2775	Spring Plate - Paper Tray	1
9	G060 2797	Paper Size Sensor Board	1
10	G080 2782	Side Fence:Rear:Universal:Ass'y	1
11	A267 2859	Side Fence Stopper	1
12	A267 2860	Rear Lever Stopper	1
13	A267 2857	Spring Plate - Side Fence	1
14	G080 2790	Side Fence:Rear:Universal:Adhesion	1
15	G080 2795	Plate:Side Fence:F2	2
16	G080 2796	Plate:Side Fence:Right:F2	2
17	G060 2770	Tray Bottom Plate:Ass'y	1
18	AF01 3006	Bottom Plate Pad	1
19	AF01 7024	End Fence - Universal	1
20	G080 2781	Side Fence:Front:Universal:Ass'y	1
21	A134 2976	Stopper Lever	1
22	A134 2978	Spring Plate	1
23	G080 2789	Side Fence:Front:Universal:Adhesion	1
24	GA00 3067	Decal:Paper Tray:No.2:Left	1
25	G077 2796	Link:Paper Size Sensor Board	1
26	G060 2806	Tension Spring - Paper Size Sensor Board	1
27	G077 2798	Cover:Paper Size Sensor	1
28	G080 2526	Shoe:Paper Tray	1

Index No.	Part No.	Description	Q'ty Per Assembly
101	0452 3008B	Tapping Screw - M3x8	
102	0450 3008B	Tapping Screw - M3x8	
103	0720 0060E	Retaining Ring - M6	
104	0354 0060B	Screw - M4X6	
105	0450 4008B	Tapping Screw - 4x8	

6.1st Paper Feed Section (G106)

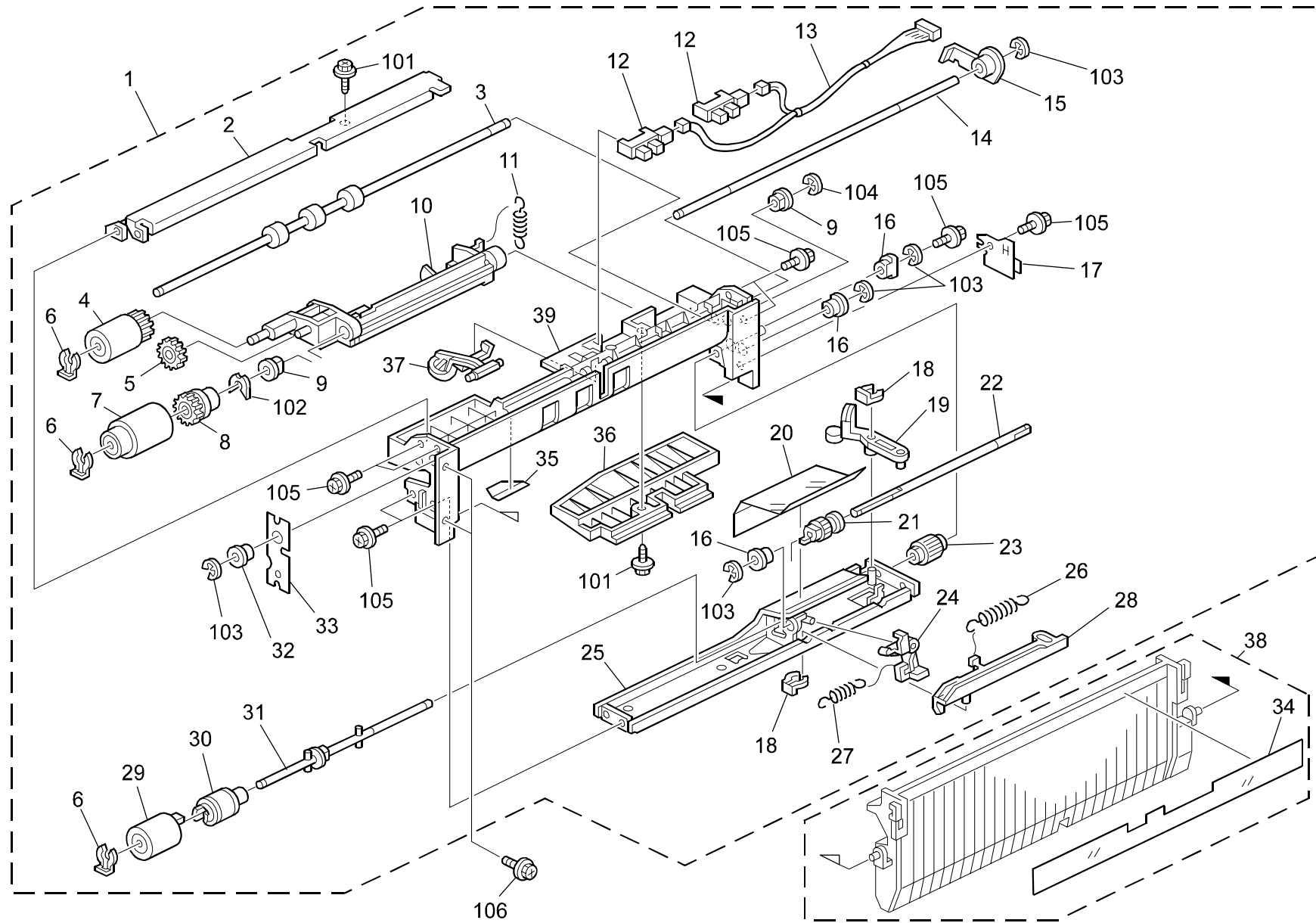


6.1st Paper Feed Section (G106)

Index No.	Part No.	Description	Q'ty Per Assembly
1	G106 2700	Paper Feed Unit:No.1:Ass'y	1
2	G060 2716	Feed Stay	1
3	AF03 0085	Paper Feed Roller - Pickup	1
4	AB01 1188	Gear - 21Z	1
5	AA10 0014	Retaining Ring C - Separate	3
6	AF03 1085	Paper Feed Roller - Feed	1
7	AB01 1218	Gear - Rller Clutch	1
8	AA08 2101	Bushing - 6x10x6	1
9	G080 2761	Arm:Pickup	1
10	AA06 0691	Tension Spring	1
11	AW02 0120	Photointerruptor - Flat	2
12	G080 5483	Harness:Paper Feed Unit	1
13	AA14 0655	Shaft - Paper Feed	1
14	G065 2767	Lever - Feed	1
15	AA08 2102	Bushing - 6x10x6	3
16	A232 2764	Rear Grounding Plate	1
17	5206 2686	Snap Ring	2
18	G065 2776	Release Lever	1
19	G060 2786	Rear Feed Mylar	1
20	AB01 0106	Gear - 24Z	1
21	AA14 0656	Shaft - Gear	1
22	AB01 0107	Gear - 23Z	1
23	AA06 0908	Release Spring	1
24	AA06 0693	Tension Spring	1
25	G065 2774	Pressure Lever	1
26	G065 2775	Link Lever	1
27	G060 2727	Stay - Paper Separation 1	1
28	AF03 2085	Paper Feed Roller - Separate	1
29	G060 2900	Torque Limiter - 40mn·m 18mm	1
30	G060 2689	Shaft - Separation Driven	1
31	G060 2724	Upper Guide - Paper Feed Unit	1
32	G080 2763	Ground Plate:Front:Paper Feed Unit	1
33	A232 2762	Paper End Feeler	1
34	A232 2766	Feed Mylar	1
35	G080 2762	Guide Plate:Paper Feed Unit	1

Index No.	Part No.	Description	Q'ty Per Assembly
36	G060 2723	Housing:Paper Feed Unit	1
101	0452 3008B	Tapping Screw - M3x8	
102	0805 0089	Retaining Ring - M4	
103	0450 3008B	Tapping Screw - M3x8	
104	0720 0040E	Retaining Ring - M4	
105	0451 3008B	Tapping Screw - M3x8	
106	0451 3006B	Tapping Screw - M3x6	

7.2nd Paper Feed Section (G106)

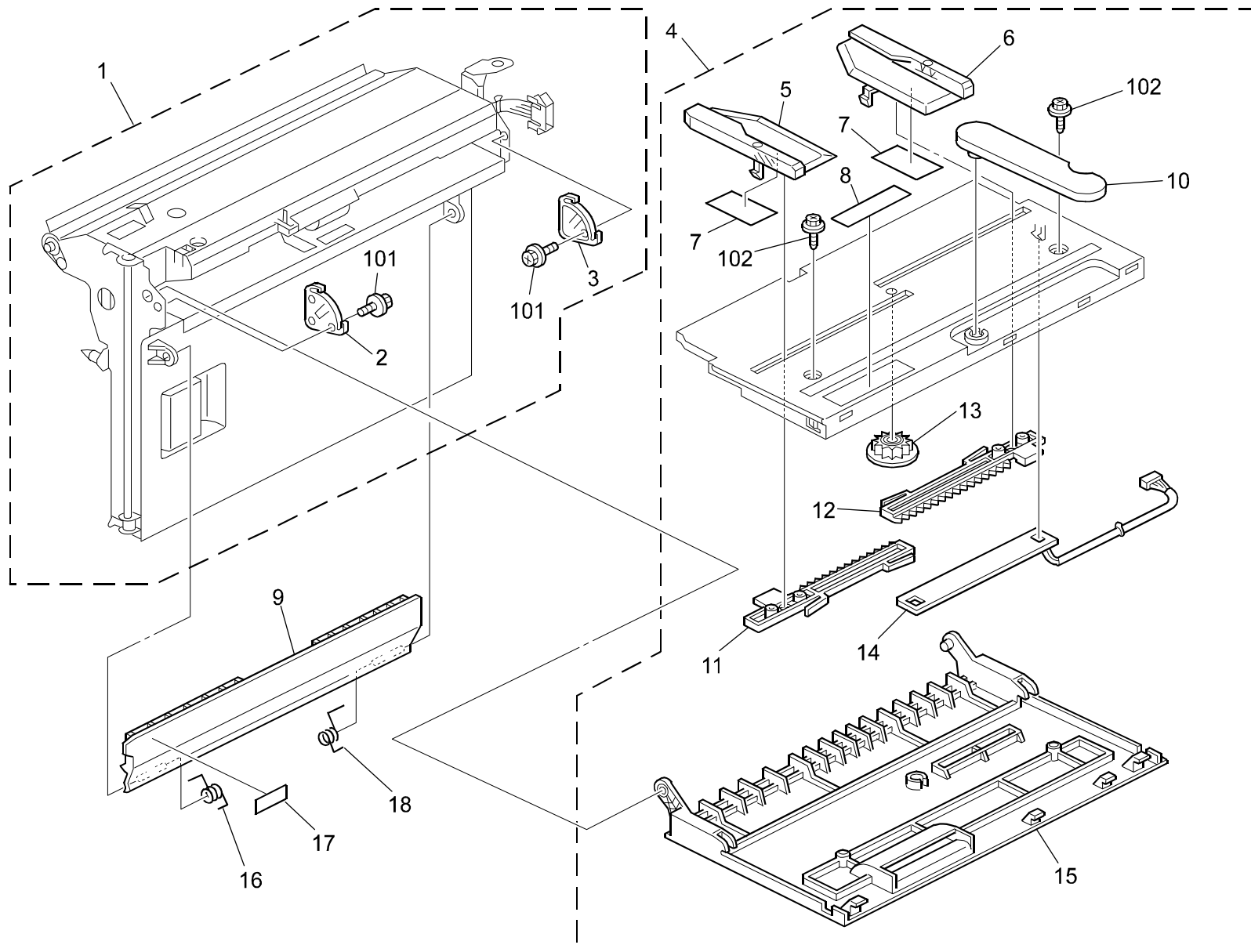


7.2nd Paper Feed Section (G106)

Index No.	Part No.	Description	Q'ty Per Assembly
1	G106 2750	Paper Feed Unit:No.2:Ass'y	1
2	A232 2780	Stay - Paper Feed	1
3	AF02 0404	Transport Roller	1
4	AF03 0085	Paper Feed Roller - Pickup	1
5	AB01 1188	Gear - 21Z	1
6	AA10 0014	Retaining Ring C - Separate	3
7	AF03 1085	Paper Feed Roller - Feed	1
8	AB01 1218	Gear - Rller Clutch	1
9	AA08 2101	Bushing - 6x10x6	2
10	G080 2761	Arm:Pickup	1
11	AA06 0691	Tension Spring	1
12	AW02 0120	Photointerruptor - Flat	2
13	G080 5490	Harness:Paper Feed Unit:2	1
14	AA14 0655	Shaft - Paper Feed	1
15	G065 2767	Lever - Feed	1
16	AA08 2102	Bushing - 6x10x6	3
17	A232 2764	Rear Grounding Plate	1
18	5206 2686	Snap Ring	2
19	G065 2776	Release Lever	1
20	B004 2782	Rear Feed Mylar	1
21	AB01 0106	Gear - 24Z	1
22	AA14 0656	Shaft - Gear	1
23	AB01 0107	Gear - 23Z	1
24	G065 2774	Pressure Lever	1
25	G060 2725	Stay - Paper Separation	1
26	AA06 0908	Release Spring	1
27	AA06 0693	Tension Spring	1
28	G065 2775	Link Lever	1
29	AF03 2085	Paper Feed Roller - Separate	1
30	G060 2900	Torque Limiter - 40mn·m 18mm	1
31	G060 2689	Shaft - Separation Driven	1
32	AA08 2104	Bushing - 8x12x7	1
33	A232 2765	Front Grounding Plate	1
34	G060 2629	Vertical Transport Guide	1
35	A232 2766	Feed Mylar	1

Index No.	Part No.	Description	Q'ty Per Assembly
36	G080 2762	Guide Plate:Paper Feed Unit	1
37	A232 2762	Paper End Feeler	1
38	G060 2630	Guide Plate:Swivel:Adhesion	1
39	G060 2760	Housing:Paper Feed Unit	1
101	0450 3008B	Tapping Screw - M3x8	
102	0805 0089	Retaining Ring - M4	
103	0720 0040E	Retaining Ring - M4	
104	0720 0060E	Retaining Ring - M6	
105	0451 3008B	Tapping Screw - M3x8	
106	0451 3006B	Tapping Screw - M3x6	

8.Manual Paper Feed 1 (G106)

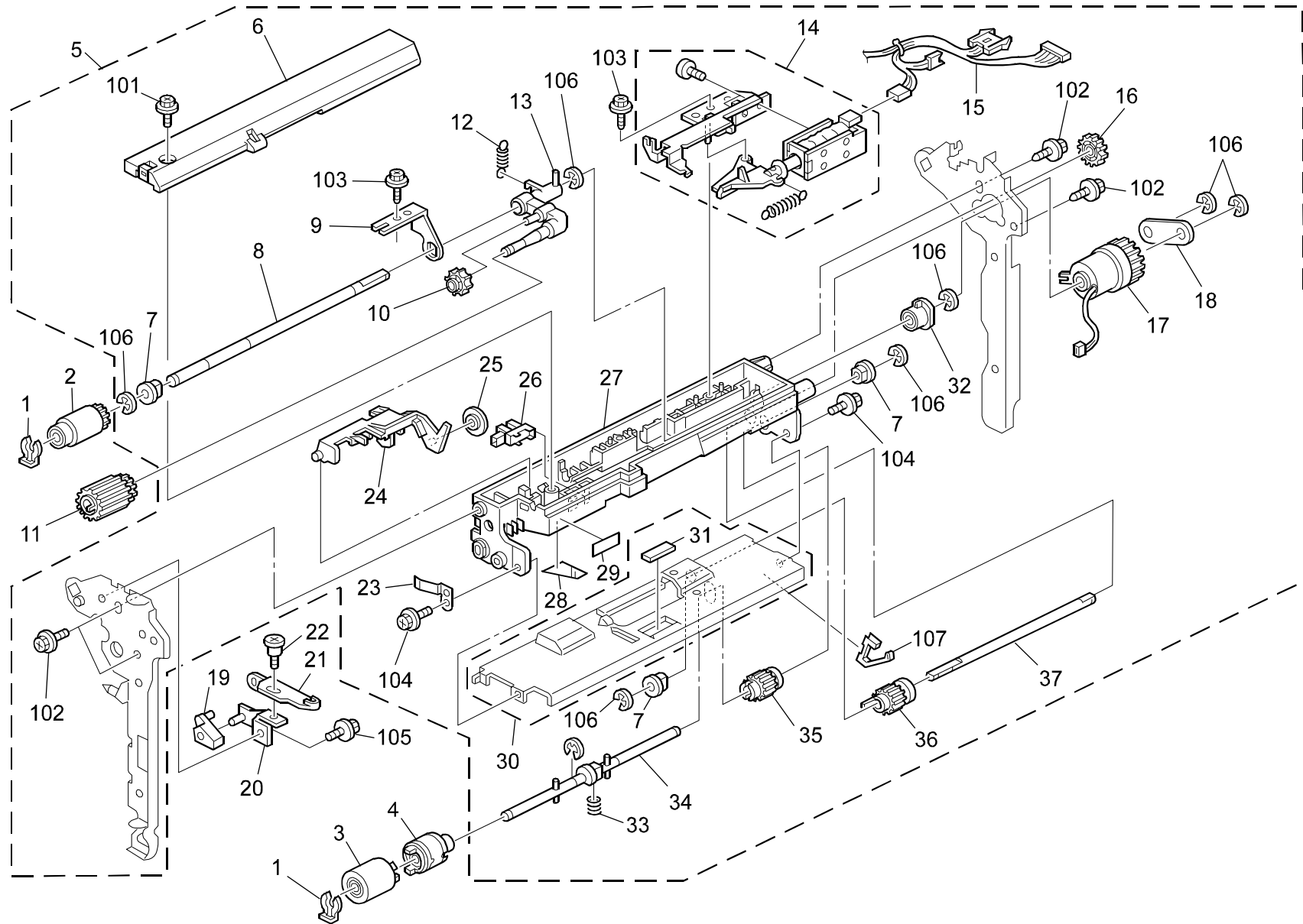


8.Manual Paper Feed 1 (G106)

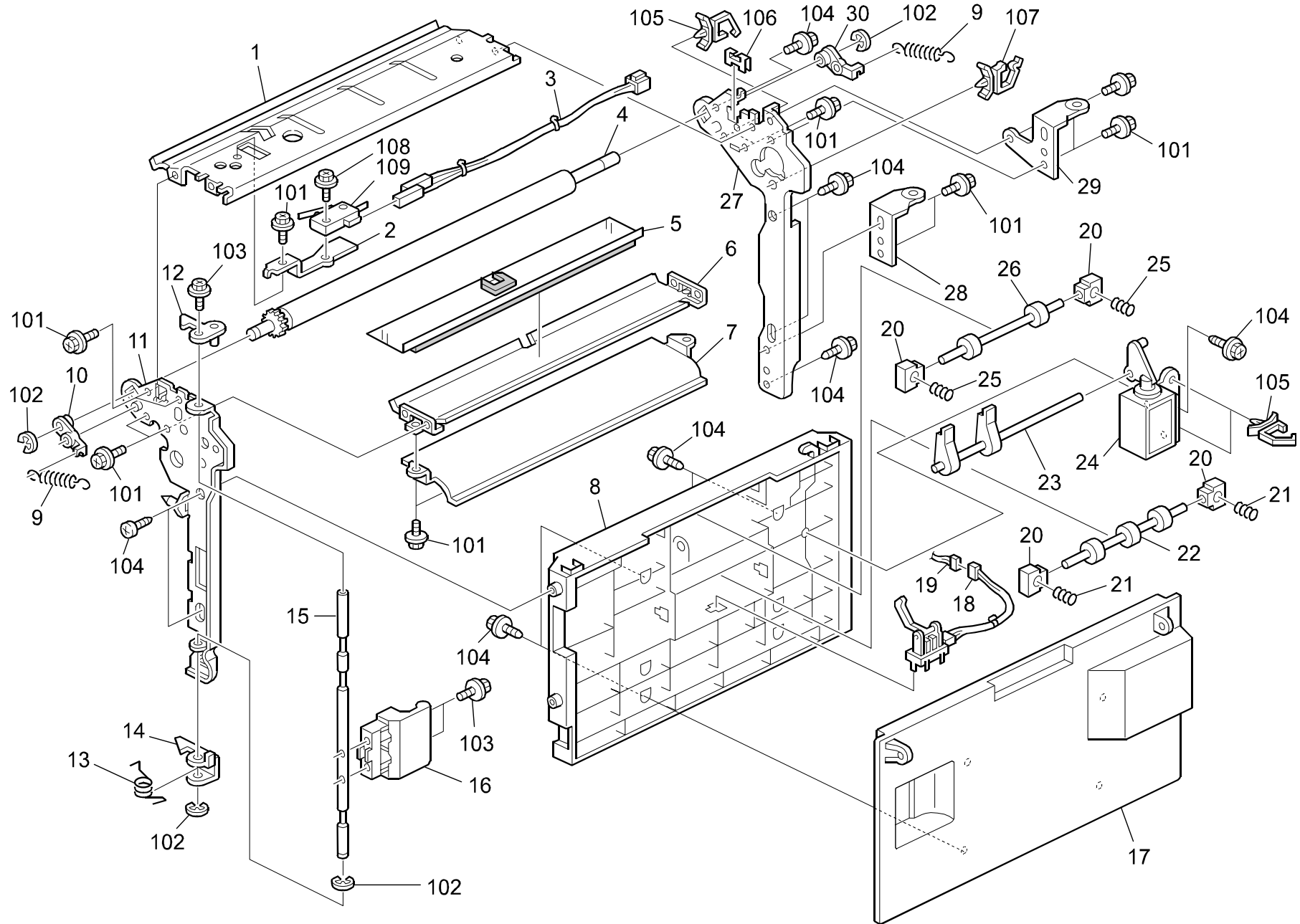
Index No.	Part No.	Description	Q'ty Per Assembly
1	G080 2531	Transport Sub-unit:Lengthwise:Ass'y	1
2	G060 2973	Front Shaft - Manual Feed Table	1
3	G060 2974	Rear Shaft - Manual Feed Table	1
4	G060 2856	Manual Feed Table Ass'y	1
5	G060 2866	Front Side Fence	1
6	G060 2867	Rear Side Fence	1
7	G060 2908	Pad - Side Fence	2
8	GA00 3010	Decal - Manual Feed	1
9	G060 2940	Cover - Lower Manual Feed	1
10	G060 2905	Paper Guide - Manual Feed Tabl	1
11	A232 6082	Front Rack	1
12	A232 6083	Rear Rack	1
13	G011 3305	Gear - 16Z	1
14	G060 2869	Paper Size Sensor	1
15	G060 2865	Cover - Manual Feed Table	1
16	G080 2953	Torsion Spring:Cover:Left	1
17	GA00 3044	Decal - Vertical Transport 2	1
18	G080 2952	Torsion Spring:Cover:Right	1

Index No.	Part No.	Description	Q'ty Per Assembly
101	0802 5291	Tapping Screw:Round Point:M3x6	
102	0450 3008H	Tapping Screw - M3x8	

9.Manual Paper Feed 2 (G106)



10.Vertical Transport Section (G106)

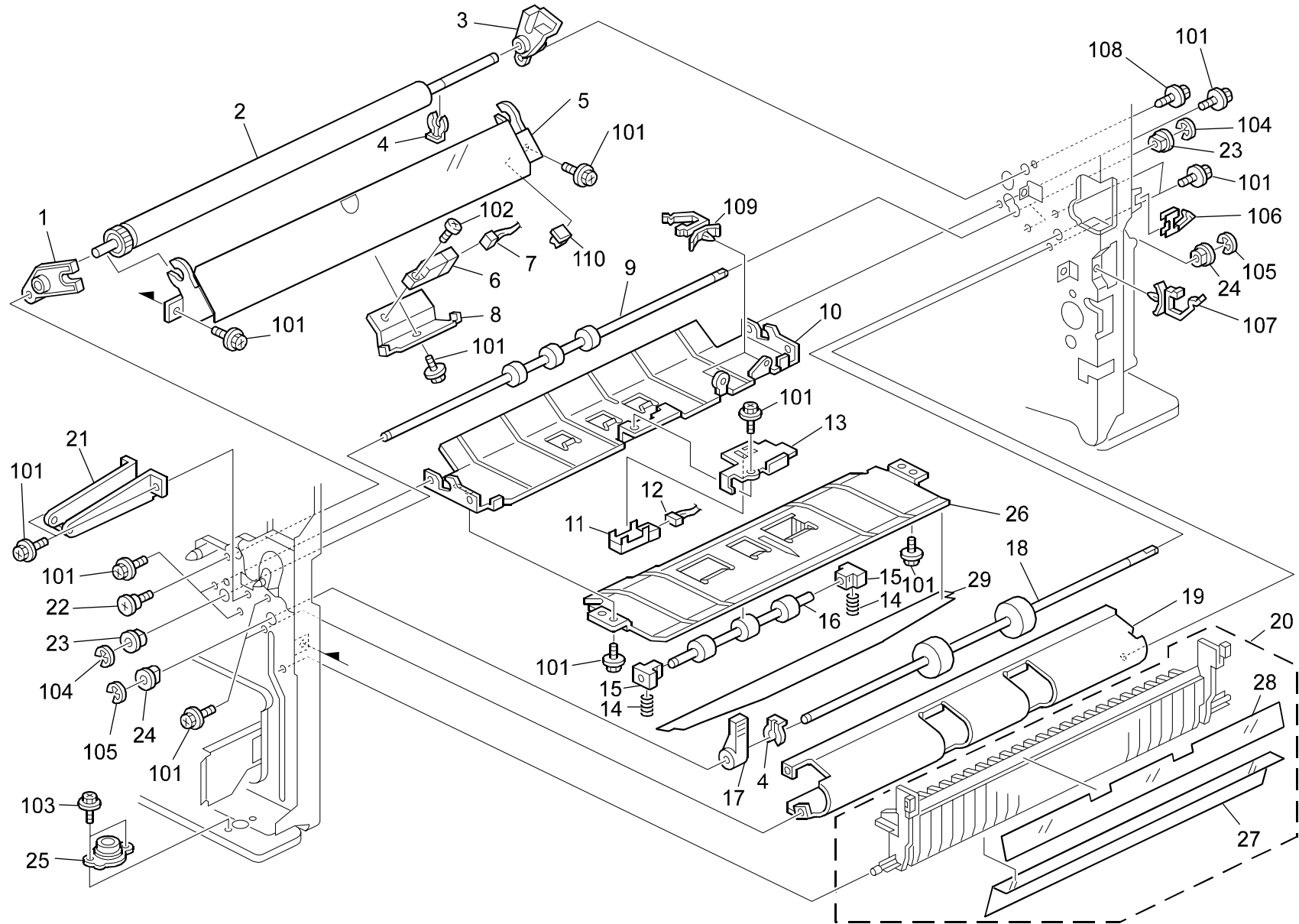


10.Vertical Transport Section (G106)

Index No.	Part No.	Description	Q'ty Per Assembly
1	G060 2669	Cover - Upper Registration	1
2	G060 2680	Bracket - Micro Switch	1
3	G080 5501	Harness:Vertical Transport:Safety Switch	1
4	G060 2686	Registration Driven Roller	1
5	G077 2839	Guide:Remove Paper Dust:Ass'y	1
6	G080 2612	Guide Plate:Registration:Upper	1
7	G080 2614	Guide Plate:Registration:Middle	1
8	G080 2643	Guide Plate:Vertical Transport	1
9	G060 2602	Spring - Registration	2
10	G080 2650	Bushing:Registration:Front:Driven	1
11	G080 2660	Side Plate:Paper Feed:Front:Ass'y	1
12	G080 2670	Hook:Vertical Transport:Upper:Peen	1
13	G060 2674	Torsion Spring - Vertical Transport	1
14	G060 2672	Hook - Lower Vertical Transport	1
15	G080 2673	Shaft:Grip	1
16	G060 2690	Lever - Vertical Transport	1
17	G080 2668	Cover:Vertical Transport	1
18	AW02 0069	Photointerruptor	1
19	G080 5506	Harness:Vertical Transport	1
20	G060 2652	Bushing - M4	4
21	AA06 3616	Spring - 8n	2
22	AF02 3023	Driven Roller - M3xmm17	1
23	G080 2645	Arm:Roller:Release	1
24	G080 2644	DC Solenoid:Ass'y	1
25	G080 2656	Compression Spring:Driven:2n	2
26	AF02 3022	Driven Roller - M2xmm17	1
27	G060 2663	Side Plate:Paper Feed:Rear:Ass'y	1
28	G060 2683	Lower Vertical Transport Hinge	1
29	G060 2667	Hinge:Vertical Transport	1
30	G060 2651	Rear Bushing - M6	1

Index No.	Part No.	Description	Q'ty Per Assembly
101	0451 3006B	Tapping Screw - M3x6	
102	0720 0040E	Retaining Ring - M4	
103	0360 3006B	Screw - M3X6	
104	0450 3008B	Tapping Screw - M3x8	
105	1105 0511	Harness Clamp - LWS-0306ZC	
106	1105 0551	Clamp:Les-0505	
107	1105 0487	Harness Clamp	
108	0451 3014B	Tapping Screw - M3-14	
109	1204 2521	Micro Switch	

11.Paper Resistration (G106)



11.Paper Resistration (G106)

Index No.	Part No.	Description	Q'ty Per Assembly
1	G080 2684	Bushing:Registration:Front:Mm8	1
2	G060 2685	Registration Drive Roller	1
3	G080 2680	Bushing:Registration:Rear:M8	1
4	5215 2621	Snap Ring - M6	2
5	G080 2605	Guide Plate:Registration:Lower:Adhesion	1
6	AW01 0048	Photosensor - GP2A28N1	1
7	G080 5480	Harness:Registration Sensor	1
8	G060 2609	Bracket - Registration Sensor	1
9	G060 2627	Transport Drive Roller	1
10	G080 2621	Guide Plate:Duplex:Exit:Upper	1
11	AW01 0098	Photointerrupter - GP2A231LRSA	1
12	G080 5482	Harness:Paper Feed Unit:Sensor	1
13	G080 2635	Bracket:Sensor:Paper Feed	1
14	AA06 3408	Spring - 8n	2
15	G060 2652	Bushing - M4	2
16	AF02 2135	Driven Roller - M3x16	1
17	G060 2681	Knob - Vertical Transport	1
18	G060 2626	Transport Drive Roller - Middle	1
19	G060 2617	Middle Guide Plate	1
20	G060 2618	Guide Plate:Middle:Lower:Adhesion	1
21	G060 1277	Bracket - Front Cover Hinge	1
22	A259 6239	Screw - M3X4	1
23	AA08 2101	Bushing - 6x10x6	2
24	AA08 2104	Bushing - 8x12x7	2
25	G060 1054	Holder:Guide Pin:Paper Feed Table	1
26	G080 2622	Guide Plate:Duplex:Exit:Lower	1
27	G060 2633	Guide:Middle:Lower	1
28	G060 2620	Entrance Middle Guide	1
29	G080 2623	Guide:Turn	1

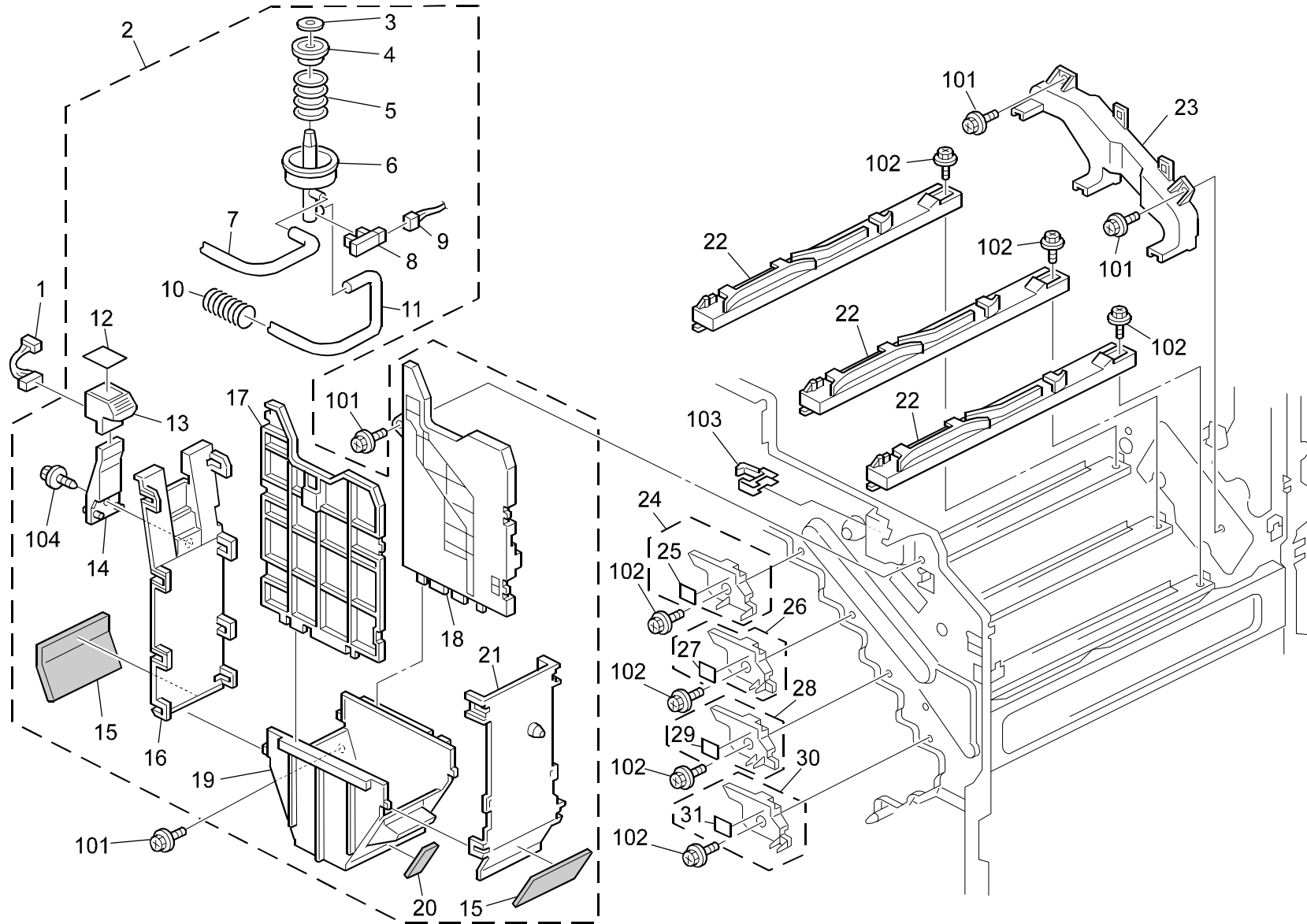
Index No.	Part No.	Description	Q'ty Per Assembly
101	0451 3006B	Tapping Screw - M3x6	
102	0313 0060B	Philips Pan Head Screw - M3x6	
103	0802 5292	Tapping Screw:Round Point:M3x8	
104	0720 0040E	Retaining Ring - M4	
105	0720 0060E	Retaining Ring - M6	
106	1105 0522	Edge Saddle - LES0510	
107	1105 0487	Harness Clamp	
108	0450 3006B	Tapping Screw - M3x6	
109	1105 0511	Harness Clamp - LWS-0306ZC	
110	1105 0568	Clamp:LWSS-0504	

12.Color Toner Hopper (G106)

Index No.	Part No.	Description	Q'ty Per Assembly
1	G106 3201	Holder:Toner Cartridge:Collar:Ass'y	1
2	G080 3215	Tube:Air Pump:BK	1
3	G080 3240	Tube:Air Pump:Y	1
4	G080 3214	Tube:Air Pump:MC	2
5	G080 3241	Tube:Valve:BK	1
6	AA06 3627	Coil - Tube Fuard	1
7	G060 3238	Tube - C Toner Supply	1
8	AA06 3656	Guide Coil - M Tube	1
9	G060 3241	Tube - M Toner Supply	1
10	G060 3237	Tube - Y Toner Supply	1
11	G060 3240	Valve	1
12	G012 4617	Stepped Screw - M3	4
13	G060 3301	Air Pump - Toner Supply	1
14	AW14 0009	Humidity Sensor - RHU-232	1
15	G060 3205	Holder:Toner Cartridge	1
16	G106 3301	Air Pump:P3	1
17	AW50 0023	Push Switch	1
18	AA15 3461	Holder Seal	3
19	G060 3219	Toner Cartridge Holder	3
20	AA06 3663	Compression Spring:4.9n	3
21	G080 3216	Nozzle:Ymc	3
22	AW02 0132	Optics Sensor:Toner End Sensor	3
23	GA00 3016	Decal - Y Toner Supply	1
24	GA00 3018	Decal - C Toner Supply	1
25	GA00 3017	Decal - M Toner Supply	1
26	G060 5599	Toner Cartridge Stopper	3
27	G060 3232	Base - Toner Cartridge Stopper	3
28	G080 3243	Toner Supply Unit Holder Pad	1

Index No.	Part No.	Description	Q'ty Per Assembly
101	0451 3006B	Tapping Screw - M3x6	
102	0450 3008B	Tapping Screw - M3x8	
103	0451 3008B	Tapping Screw - M3x8	
104	1105 0511	Harness Clamp - LWS-0306ZC	
105	1105 0487	Harness Clamp	
106	1105 0522	Edge Saddle - LES0510	

13.Black Toner Hopper (G106)

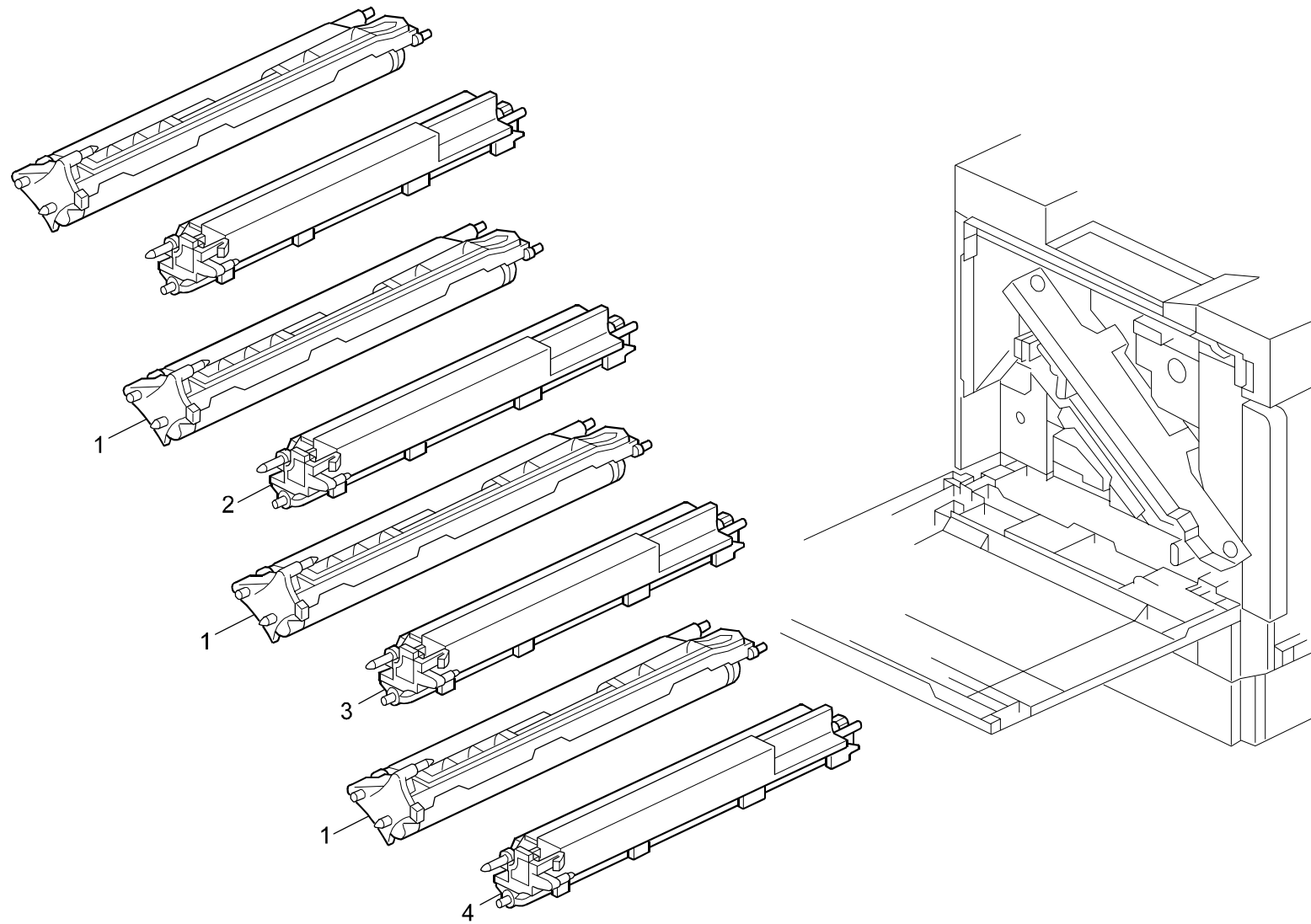


13.Black Toner Hopper (G106)

Index No.	Part No.	Description	Q'ty Per Assembly
1	G080 5492	Harness:ID:K	1
2	G080 3202	Holder:Toner Cartridge:BK:Dom:Ass'y	1
3	AA15 3461	Holder Seal	1
4	G060 3219	Toner Cartridge Holder	1
5	AA06 3663	Compression Spring:4.9n	1
6	G080 3222	Nozzle:BK	1
7	G080 3241	Tube:Valve:BK	1
8	AW02 0132	Optics Sensor:Toner End Sensor	1
9	G080 5496	Harness:Toner End Sensor:K	1
10	AA06 3627	Coil - Tube Fuard	1
11	G060 3236	Tube - K Toner Supply	1
12	GA00 3019	Decal - K Toner Supply	1
13	G060 5599	Toner Cartridge Stopper	1
14	G060 3232	Base - Toner Cartridge Stopper	1
15	G060 3337	Shield:Holder:Toner Cartridge	1
16	G060 3336	Holder:Toner Cartridge:BK:Left	1
17	G080 3332	Holder:Toner Cartridge:BK:Front	1
18	G080 3331	Holder:Toner Cartridge:BK:Rear	1
19	G077 3340	Holder:BK:Lower	1
20	G060 3233	Toner Cartridge Holder Filter	1
21	G080 3336	Holder:Toner Cartridge:BK:Right	1
22	G060 1196	Duct:PCU:Supporter:Upper	3
23	G060 1198	PCU Duct	1
24	G060 3318	Shielding Plate - K Development	1
25	GA00 3033	Decal - Shielding Plate K	1
26	G060 3321	Shielding Plate - Y Development	1
27	GA00 3030	Decal - Shielding Plate Y	1
28	G060 3319	Shielding Plate - C Development	1
29	GA00 3032	Decal - Shielding Plate C	1
30	G060 3320	Shielding Plate - M Development	1
31	GA00 3031	Decal - Shielding Plate M	1

Index No.	Part No.	Description	Q'ty Per Assembly
101	0451 3008B	Tapping Screw - M3x8	
102	0451 3006B	Tapping Screw - M3x6	
103	1105 0522	Edge Saddle - LES0510	
104	0450 3008B	Tapping Screw - M3x8	

14.PCU/Development Unit (G106)



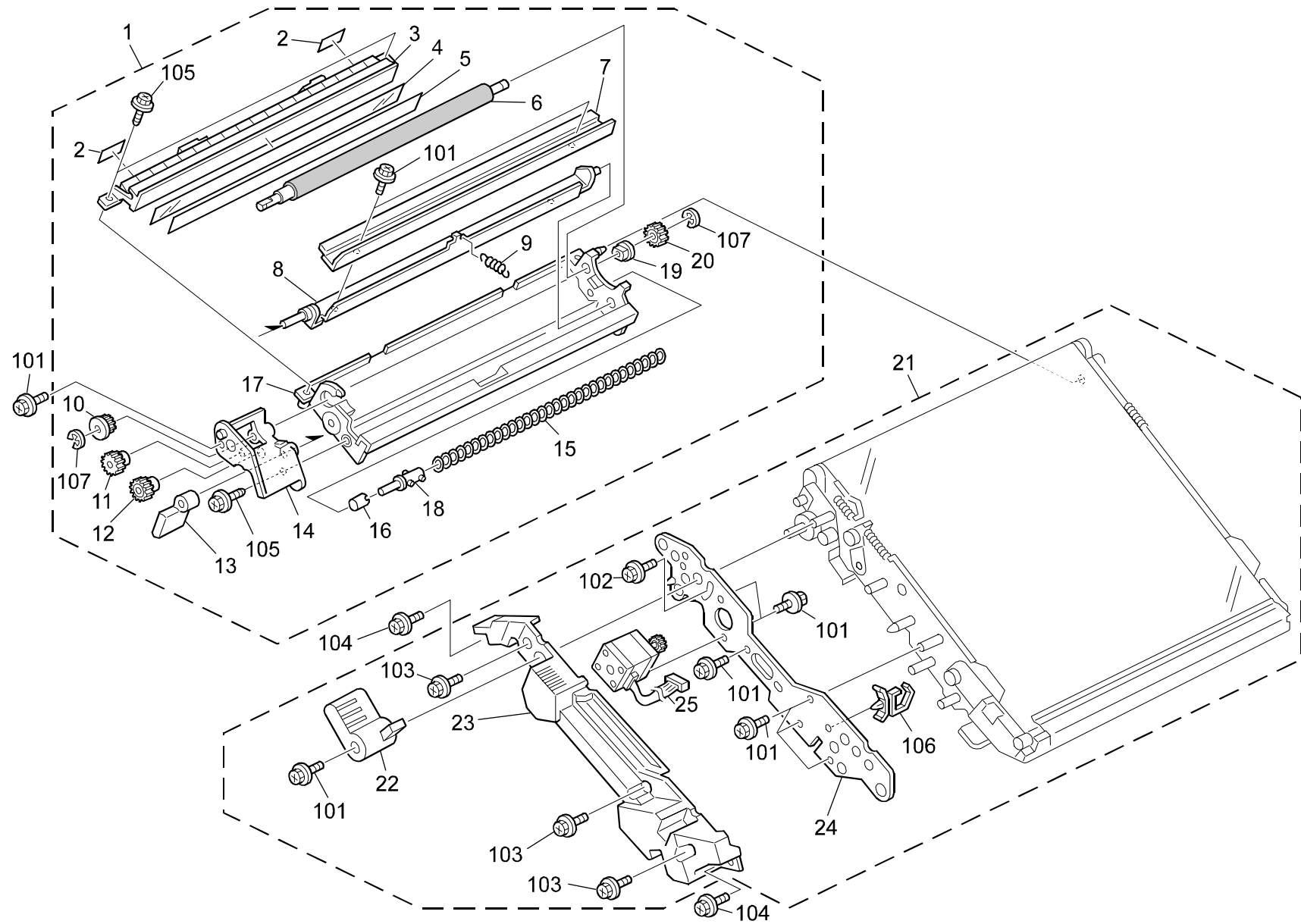
14.PCU/Development Unit (G106)

Index No.	Part No.	Description	Q'ty Per Assembly
1	G222 2207	PCU Ass'y	3
2	G219 3003	Development Unit:Y:M-PACc:Ass'y	1
3	G219 3001	Development Unit:C:M-PAC:Ass'y	1
4	G219 3002	Development Unit:M:M-PAC:Ass'y	1



Index No.	Part No.	Description	Q'ty Per Assembly

15. Transfer Unit 1 (G106)



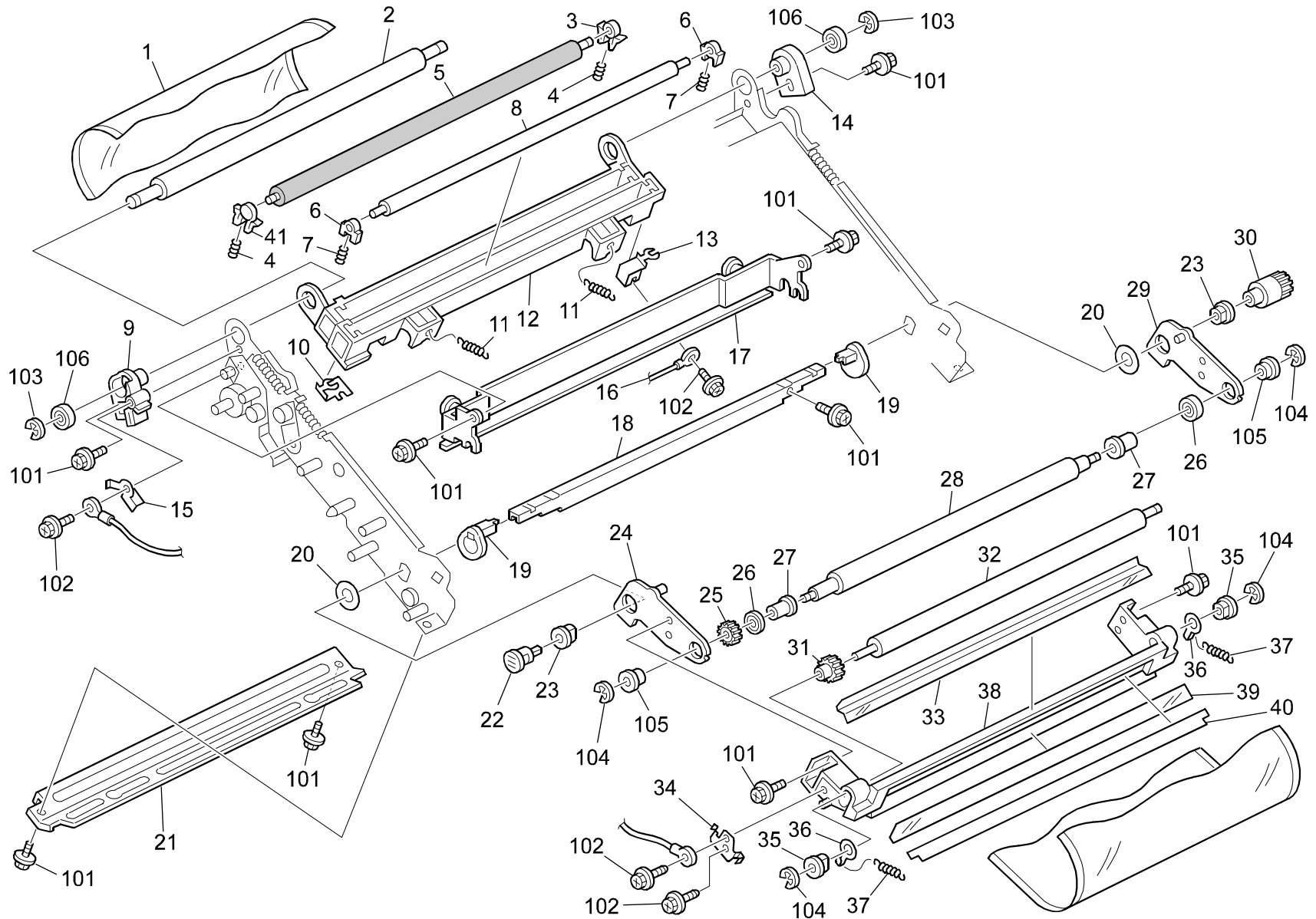
15.Transfer Unit 1 (G106)



Index No.	Part No.	Description	Q'ty Per Assembly
1	G080 3830	Cleaning Unit:Transfer Belt:Ass'y	1
2	G080 3732	Shield:Cleaning Unit	2
3	G080 3731	Case:Coating Bar	1
4	G080 3733	Dual Faces Tepe:Entrance Seal	1
5	AD04 7034	Entrance Seal:Cleaning	1
6	AD04 2047	Brush Roller:Cleaning	1
7	AD04 1081	Cleaning Blade:Ass'y	1
8	G080 3716	Bracket:Cleaning Blade:Ass'y	1
9	AA06 0920	Spring:Blade	1
10	AB01 1480	Gear:Brush Roller:Front	1
11	AB01 1481	Gear:Idler:Cleaning Unit	1
12	G060 3977	Gear - Transport Screw	1
13	G080 3745	Lever:Release:Cleaning Blade	1
14	G080 3740	Holder:Brush Roller:Front:Ass'y	1
15	AD04 3081	Toner Collection Coil:Cleaning	1
16	G060 3953	Sleeve:Shaft:Toner Collection Coil	1
17	G080 3831	Casing:Cleaning Unit:Ass'y	1
18	G060 3952	Shaft:Toner Collection Coil	1
19	AA08 0248	Bushing - 6mm	1
20	AB01 0126	Gear - 28Z	1
21	G107 3804	Transfer Unit:Ass'y	1
22	G080 3993	Lever:Release	1
23	G080 3994	Cover:Transfer Unit	1
24	G080 3990	Drum Stay:Transfer Unit:Peen	1
25	G107 3980	Stepper Motor:Transfer Belt:Press Fit	1

Index No.	Part No.	Description	Q'ty Per Assembly
101	0451 3006B	Tapping Screw - M3x6	
102	0804 6075	Hexagonal Bolt - M3x8	
103	0451 3008B	Tapping Screw - M3x8	
104	0451 3008H	Tapping Screw - M3x8	
105	0450 3008B	Tapping Screw - M3x8	
106	1105 0511	Harness Clamp - LWS-0306ZC	
107	0720 0040E	Retaining Ring - M4	

16.Transfer Unit 2 (G106)

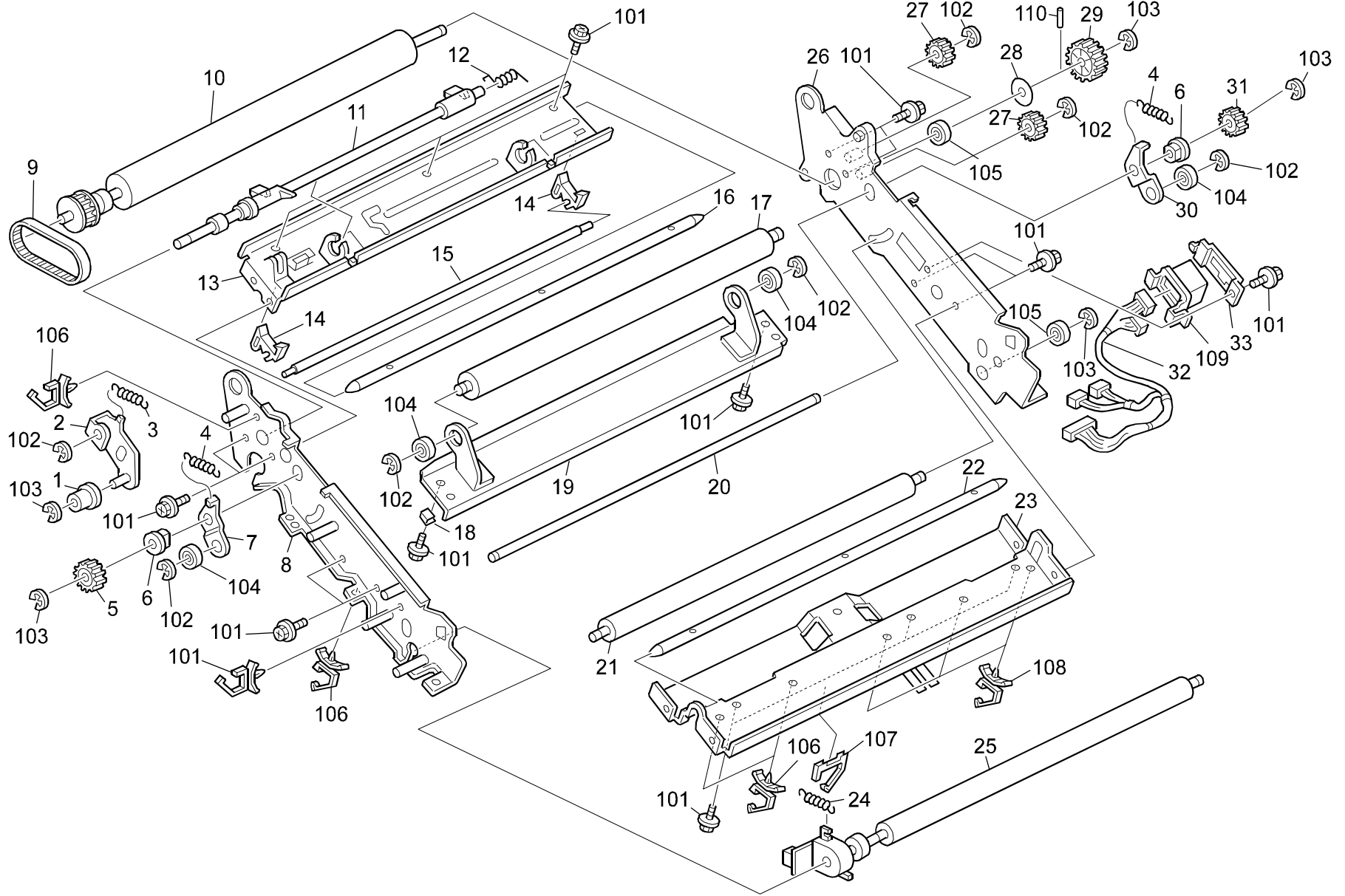


16.Transfer Unit 2 (G106)

Index No.	Part No.	Description	Q'ty Per Assembly
1	G080 3780	Transfer Belt	1
2	B101 3902	Press Fit Exit Roller	1
3	G106 3862	Bushing - Rear Transfer Roller	1
4	AA06 3890	Compression Spring:Pressure:Transfer Roller	2
5	G080 3855	Transfer Roller	1
6	G060 3852	Bushing - Back-up	1
7	G060 3924	Compression Spring - Back Up 3n	2
8	G060 3680	Back Up Roller - Transfer	1
9	G080 3867	Holder:Frame:BK:Front	1
10	G060 3693	Ground Plate:Transfer:K	1
11	G060 3853	Tension Spring - Left Frame	2
12	G080 3860	Frame:BK	1
13	G080 3863	Terminal:Transfer Roller:Bk	1
14	G080 3868	Holder:Frame:Bk:Rear	1
15	G080 3869	Terminal:Roller:Exit	1
16	G060 5511	Harness - High Voltage Line T-K	1
17	G080 3951	Bracket:Guide:Left:Ass'y	1
18	G080 3936	Shaft:On-off	1
19	G060 3894	Cam - Front	2
20	AA13 2218	Spacer:Bracket:On-off	2
21	G080 3950	Bracket:Guide:Right Lower	1
22	G060 3896	Joint - Front	1
23	AA08 2125	Bushing:On-off	2
24	G080 3931	Bracket:On-off:Front:Ass'y	1
25	AB01 0128	Gear:Roller:Driven	1
26	G080 3942	Roller:Roller:Driven:Entrance	2
27	G080 3941	Roller:Roller:Driven	2
28	B101 3940	Entrance Driven Roller	1
29	G080 3934	Bracket:On-off:Rear:Ass'y	1
30	G060 3899	Gear - On-off	1
31	AB01 0114	Gear - Bias Roller	1
32	G080 3965	Roller:Bias:Ass'y	1
33	G060 3914	Cover - Bias Roller	1
34	G080 3967	Terminal:Bias	1
35	H519 1157	Bushing	2

Index No.	Part No.	Description	Q'ty Per Assembly
36	G080 3968	Terminal:Roller:Bias	2
37	AA06 0931	Tension Spring:Pressure:Bias	2
38	G080 3960	Guide Plate:Entrance:Transfer	1
39	G060 3677	Lower Transfer Entrance Guide	1
40	G060 3908	Upper Registration Guide	1
41	G106 3861	Bushing - Front Transfer Roller	1
101	0451 3006B	Tapping Screw - M3x6	
102	0450 3008B	Tapping Screw - M3x8	
103	0720 0060E	Retaining Ring - M6	
104	0720 0040E	Retaining Ring - M4	
105	0805 3534	Ball Bearing 6x12x4	
106	0740 3508	Ball Bearing -8x14x4	

17. Transfer Unit 3 (G106)

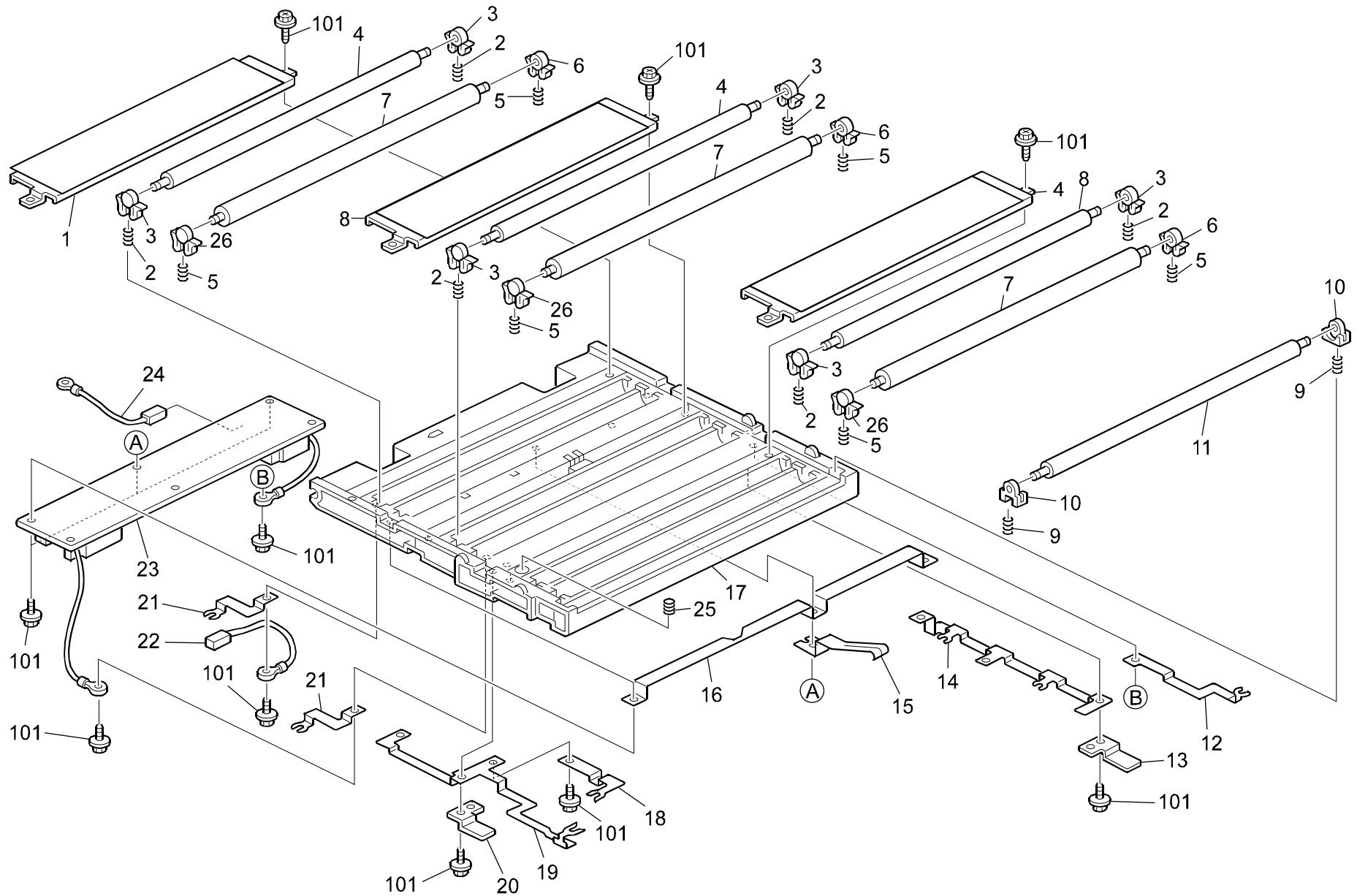


17.Transfer Unit 3 (G106)

Index No.	Part No.	Description	Q'ty Per Assembly
1	AB03 0739	Pulley:Tightener	1
2	G080 3985	Tightener:Drive:Peen	1
3	AA06 0919	Tension Spring:Tightener	1
4	AA06 0917	Tension Spring:Tension:Transfer Belt	2
5	AB01 0125	Gear:Drive:Brush Roller:Front	1
6	AA08 2101	Bushing - 6x10x6	2
7	G080 3921	Bracket:Roller:Tension:Front	1
8	G080 3890	Frame:Front:Ass'y	1
9	AA04 3298	Timing Belt:Drive:Transfer Belt	1
10	G080 3910	Drive Roller:Ass'y	1
11	G080 3908	Shaft:Release:Ass'y	1
12	G060 3712	Torsion Spring:Shaft:Release:10n	1
13	G080 3904	Stay:Left:Ass'y	1
14	G080 3919	Drive Roller Cleaner Bushing	2
15	G060 2326	Charge Roller Cleaner	1
16	AA14 0833	Shaft:Positioning Pin	1
17	G080 3945	Roller:Driven:Left Lower	1
18	G080 3943	Spacer:0.5mm	1
19	G080 3946	Bracket:Roller:Driven:Peen	1
20	AA14 0834	Shaft:Drive:Brush Roller:Transmission	1
21	G080 3920	Roller:Tension	1
22	AA14 0836	Shaft:Positioning Pin:Right	1
23	G080 3900	Stay:Right:Ass'y	1
24	AA06 0945	Encoder Tension Spring	1
25	B101 3930	Encoder Ass'y	1
26	G080 3895	Frame:Rear:Ass'y	1
27	AB01 0127	Gear:Idler:Brush Roller:Small	2
28	G080 3918	Spacer - M8.2x0.8	1
29	AB01 0124	Gear:Idler:Brush Roller:Large	1
30	G080 3922	Bracket:Roller:Tension:Rear	1
31	AB01 0130	Gear:Drive:Brush Roller:Rear	1
32	B101 5370	Harness - Transfer Unit Drawer	1
33	G080 3897	Bracket:Drawer	1

Index No.	Part No.	Description	Q'ty Per Assembly
101	0451 3006B	Tapping Screw - M3x6	
102	0720 0040E	Retaining Ring - M4	
103	0720 0060E	Retaining Ring - M6	
104	0805 3534	Ball Bearing 6x12x4	
105	0805 3535	Ball Bearing 8x14x4	
106	1105 0511	Harness Clamp - LWS-0306ZC	
107	1105 0522	Edge Saddle - LES0510	
108	1105 0516	Clamp	
109	1102 9387	Connector:Drawer:51405-2611	
110	0633 0120G	Parallel Pin - 3x12	

18.Transfer Unit 4 (G106)

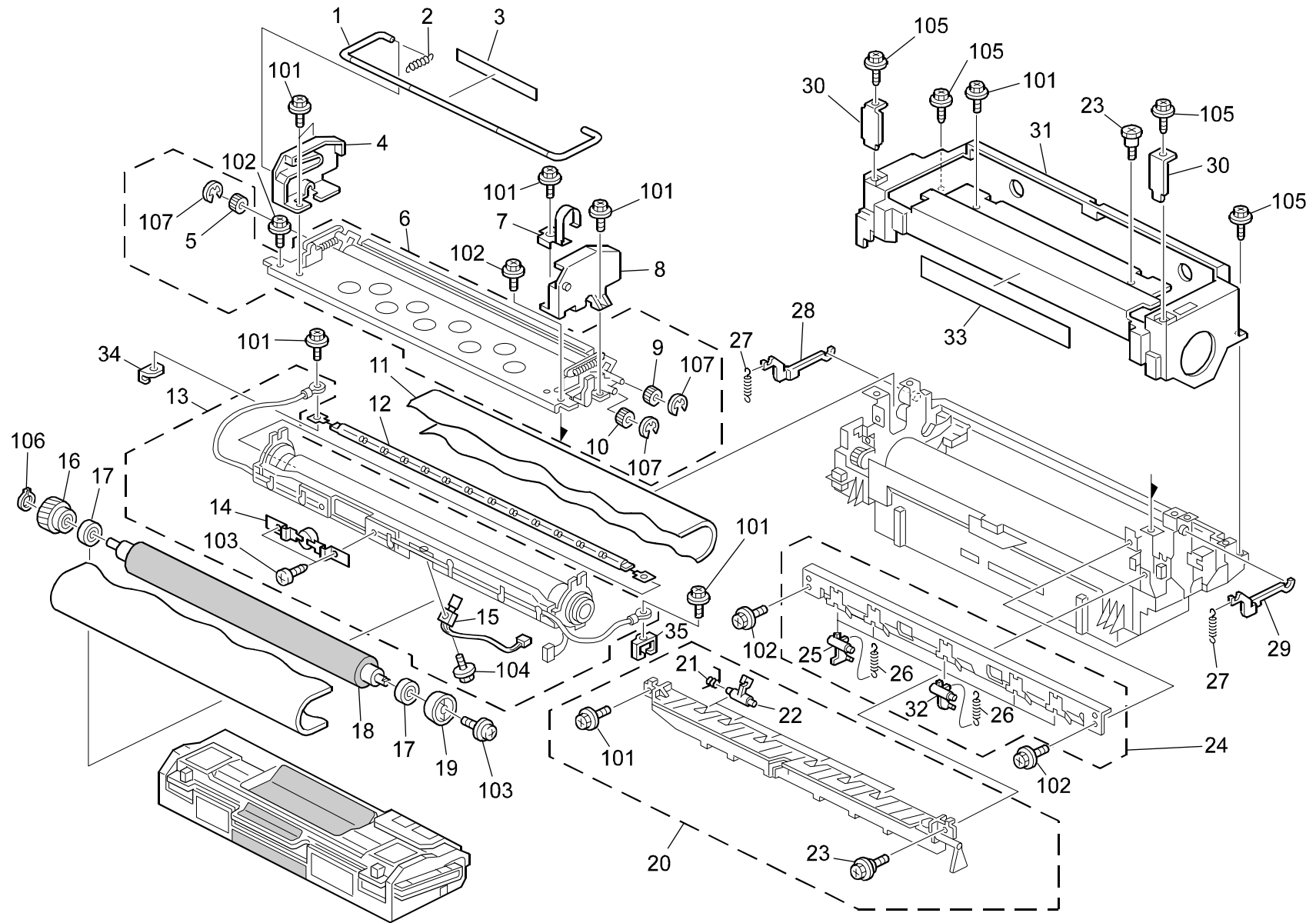


18.Transfer Unit 4 (G106)

Index No.	Part No.	Description	Q'ty Per Assembly
1	G080 3925	Ground Plate:Y:Ass'y	1
2	AA06 3891	Compression Spring:Roller:Back Up	6
3	G080 3862	Bushing:Roller:Back Up	6
4	G107 3898	Roller:Back Up:Ass'y	3
5	AA06 3890	Compression Spring:Pressure:Transfer Roller	6
6	G106 3862	Bushing - Rear Transfer Roller	3
7	G080 3855	Transfer Roller	3
8	G080 3923	Ground Plate:Magenta:Ass'y	2
9	G060 3924	Compression Spring - Back Up 3n	2
10	G060 3852	Bushing - Back-up	2
11	G080 3864	Roller:Back Up:Ass'y	1
12	G080 3881	Terminal:Transfer Roller:Magenta	1
13	G060 3956	Rear Spring Plate - Transfer	1
14	G080 3884	Terminal:Earth:Cyan	1
15	G080 3886	Spring Plate:Ground Plate:Cyan	1
16	G080 3875	Ground Plate:Connecting:1	1
17	G080 3870	Frame:Collar	1
18	G080 3883	Terminal:Earth:Magenta	1
19	G080 3880	Ground Plate:Roller:Back Up	1
20	G060 3955	Front Spring Plate - Transfer	1
21	G080 3882	Terminal:Transfer Roller:Cyan	2
22	G060 5511	Harness - High Voltage Line T-K	1
23	AZ32 0130	Power Pack:Tpac1:C1	1
24	G080 5512	Harness:High Voltage Line:T-Y	1
25	AA06 3892	Compression Spring:Earth	1
26	G106 3861	Bushing - Front Transfer Roller	3

Index No.	Part No.	Description	Q'ty Per Assembly
101	0450 3008B	Tapping Screw - M3x8	

19.Fusing Unit 1 (G106)



19.Fusing Unit 1 (G106)

Index No.	Part No.	Description	Q'ty Per Assembly
1	G080 4328	Fusing Unit Grip	1
2	G080 4308	Tension Spring:Grip	1
3	G080 4323	Sheet:Fiber:Grip	1
4	G080 4315	Supporter:Oil Application Unit:Rear	1
5	G080 4198	Gear:Oil Supply Roller:No.2	1
6	G080 4037	Stay:Fusing:Upper:Ass'y	1
7	G080 4307	Spring Plate:Return	1
8	G080 4309	Supporter:Oil Application Unit:Front	1
9	G080 4194	Gear:Oil Supply Roller:No.1	1
10	G080 4195	Gear:Oil Supply Roller:No.2:Front	1
11	G060 4208	Fusing Belt	1
12	AX44 0169	Heater:120V:700W	1
12	AX44 0176	Heater:230V:700W	1
13	G106 4045	Stay:Heat Roller:P3C:Ass'y	1
14	G106 4152	Thermostat:P3C:Ass'y	1
15	AW10 0077	Thermistor:Fusing	1
16	AB01 2023	Gear:Fusing	1
17	AE03 0044	Ball Bearing - 10x22x6	2
18	AE01 0048	Hot Roller Mm29	1
19	G080 4251	Knob:Fusing	1
20	B149 4010	Fusing Exit Lower Guide Plate Ass'y	1
21	AA06 6594	Spring:Pickoff Pawl:Pressure Roller	6
22	AE04 4057	Pickoff Pawl:pFA	6
23	AA14 3520	Shoulder Screw - M3	2
24	G080 4184	Bracket:Pickoff Pawl:Ass'y	1
25	AE04 4047	Stripper Pawls:pFA	4
26	AA06 0932	Tension Spring:Stripper Pawls	5
27	G106 4126	Spring - Hot Roller Pressure	2
28	G080 4129	Arm:Hot Roller:Rear	1
29	G080 4128	Arm:Hot Roller:Front	1
30	G080 4245	Magnet Catch:Fusing	2
31	G080 4207	Fusing Cover:Upper:Exp:Ass'y	1
32	AE04 4061	Stripper Pawls:pFA:1	1
33	GA00 0028	Decal:Fusing:Warning	1
34	G060 4190	Nut:Fusing	1

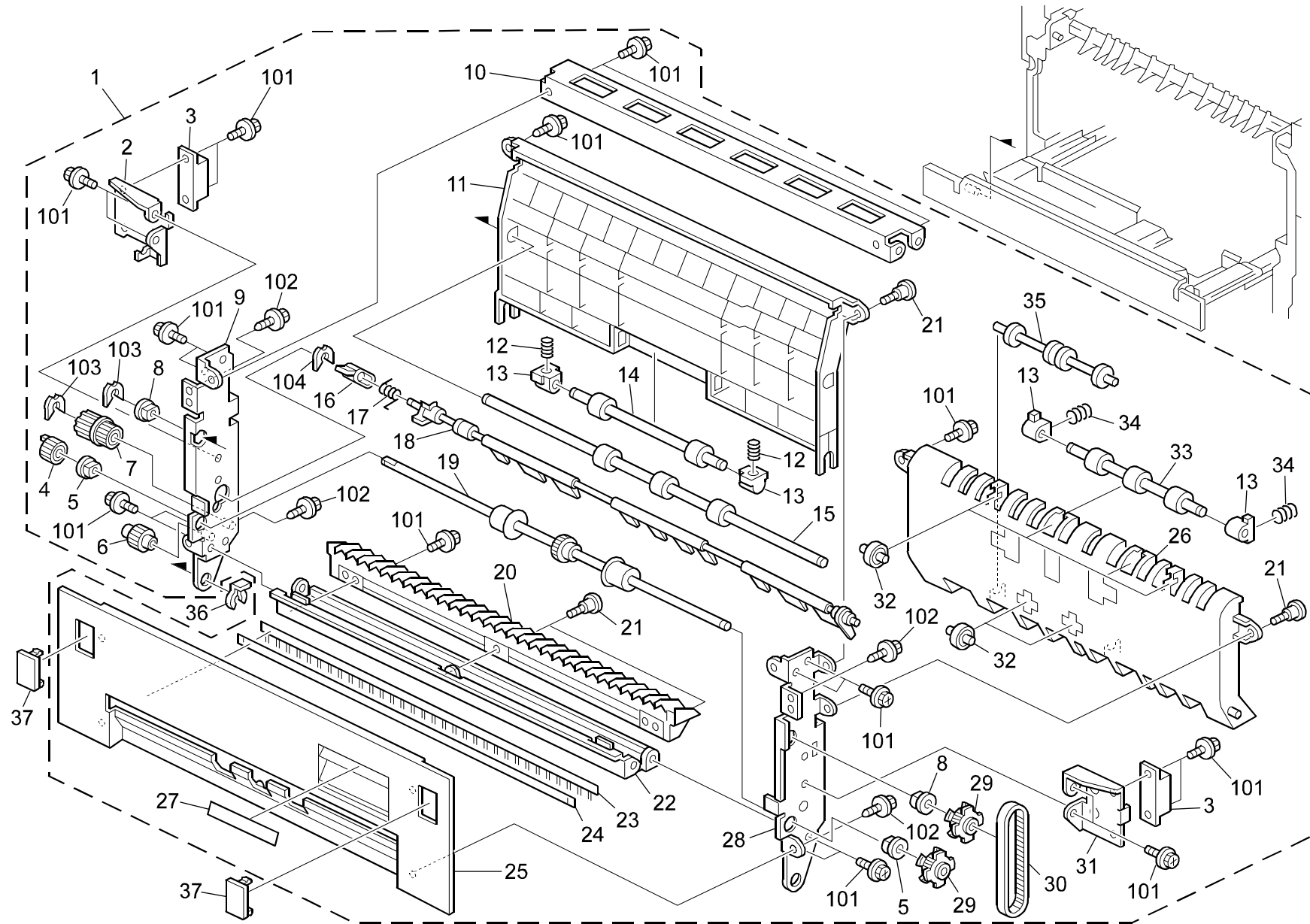
Index No.	Part No.	Description	Q'ty Per Assembly
35	G080 4197	Spacer:Heater	1
101	0804 6075	Hexagonal Bolt - M3x8	
102	0451 3006B	Tapping Screw - M3x6	
103	0957 3008B	Philips Screw - M3x8	
104	0954 3010B	Philips Screw - M3x10	
105	0450 3008B	Tapping Screw - M3x8	
106	0725 0100E	Retaining Ring C - M10	
107	0720 0040E	Retaining Ring - M4	

20.Fusing Unit 2 (G106)

Index No.	Part No.	Description	Q'ty Per Assembly
1	AE03 0050	Ball Bearing - 20x32x7	2
2	G060 4179	Bracket:Fix:Pressure Roller	2
3	AB01 2022	Gear:Pressure:Drive	1
4	AE02 0142	Pressure Roller MM40	1
5	AX43 0103	Fusing Lamp - 120V 390W	1
5	AX43 0104	Fusing Lamp - 230V 390W	1
6	G080 4012	Thermofuse:Ass'y	1
7	AW10 0083	Thermistor:Pressure	1
8	G080 4202	Shield:Positioning Pin:Front	1
9	G080 4210	Fusing Entrance Guide Plate	1
10	AB01 2021	Gear:Idler:Drive	1
11	G107 4187	Bracket:Gear:Idler	1
12	G060 4188	Sheet:Fiber:Bracket	1
13	G080 4203	Shield:Positioning Pin:Rear	1
14	G077 4070	Bracket:Thermistor	1
15	G060 4078	Bracket:Stud:Rear:Peen	1
16	G080 4197	Spacer:Heater	1
17	AB01 2024	Gear:Idler:Pressure:Exit:Z19	1
18	G060 4190	Nut:Fusing	1
19	G080 4211	Bracket:Connector	1
20	GA06 0057	Tension Spring - 9.7n	2
21	AE04 1009	Oil Metering Blade:Pressure Roller	1
22	5447 2769	Stepped Screw	1

Index No.	Part No.	Description	Q'ty Per Assembly
101	0450 3008B	Tapping Screw - M3x8	
102	0451 3006B	Tapping Screw - M3x6	
103	0954 3010B	Philips Screw - M3x10	
104	0804 6075	Hexagonal Bolt - M3x8	
105	0957 3008B	Philips Screw - M3x8	
106	0725 0200E	Retaining Ring C - M20	
107	0720 0040E	Retaining Ring - M4	
108	0353 0040B	Screw - M3X4	
109	1102 6245	Relay Connector - 2P	
110	0801 0153	Screw:UNC:#6-32	

21.Paper Exit Section 1 (G106)

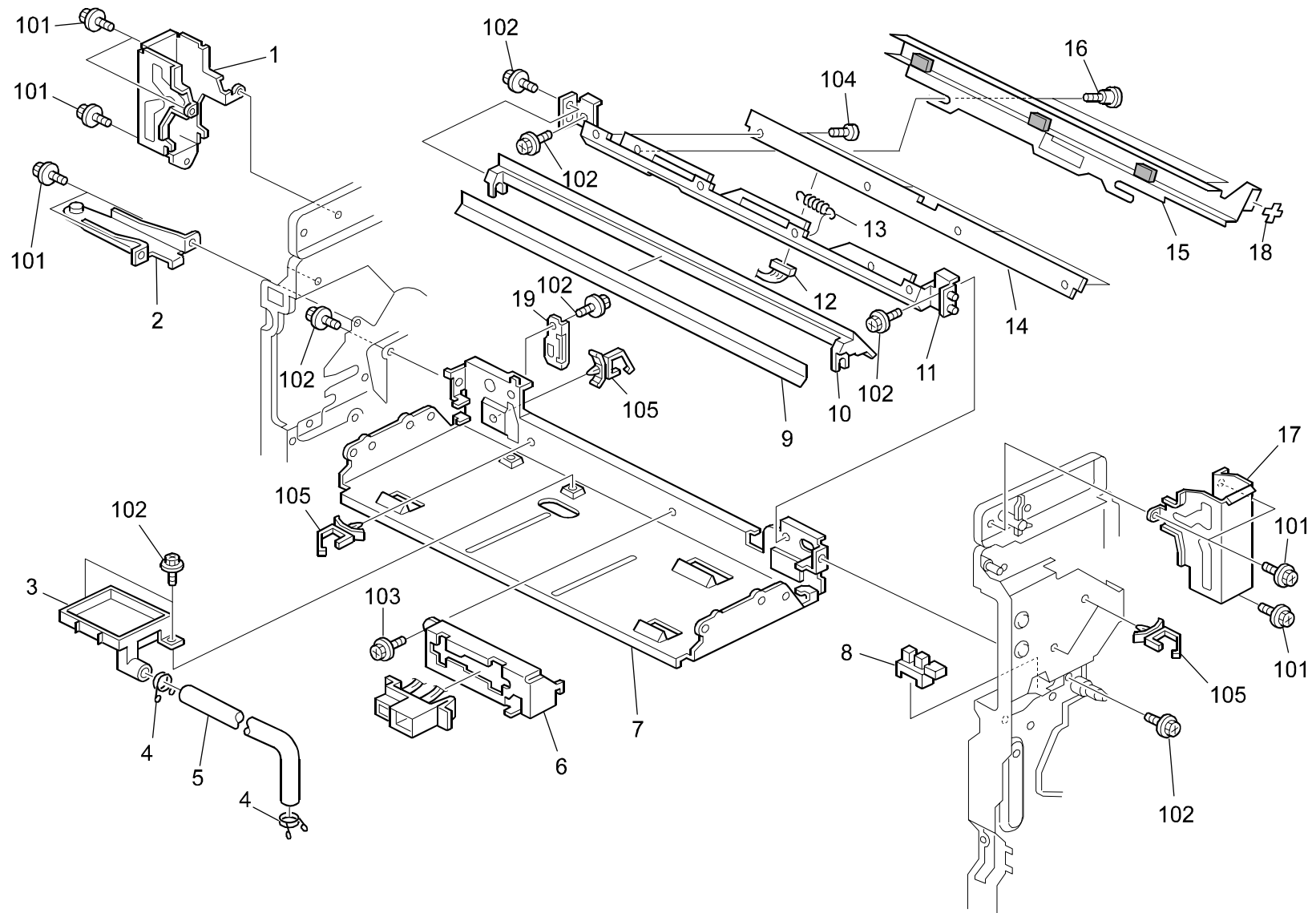


21.Paper Exit Section 1 (G106)

Index No.	Part No.	Description	Q'ty Per Assembly
1	G080 4425	Paper Exit Sub-Unit:FU:Ass'y	1
2	G080 4457	Bracket:Magnet Catch:Rear	1
3	AG07 0020	Magnet Catch:37n	2
4	G080 4439	Gear:Exit Roller:FU:18z	1
5	AA08 2075	Bushing - M6	2
6	G080 4451	Gear:Idler:21z	1
7	G080 4450	Gear:Input:17z:19z	1
8	AA08 2101	Bushing - 6x10x6	2
9	G080 4431	Side Plate:Exit:Rear:Peen	1
10	G080 4436	Stay:Exit:Upper	1
11	G080 4440	Guide Plate:Exit:Connecting	1
12	G060 4429	Compression Spring - Exit Driven 1n	2
13	G060 4449	Bushing - M4	4
14	AF04 0593	Roller:Driven:FU	1
15	AF04 0607	Transport Roller:Exit:Vertical Transport	1
16	G080 4441	Link:Gate Pawl:Exit	1
17	G080 4447	Torsion Spring:Gate Pawl:Exit	1
18	G080 4442	Gate Pawl:Exit	1
19	AF04 0592	Exit Roller:FU	1
20	G080 4449	Guide Plate:Exit:Entrance:Lower	1
21	AA14 3716	Stepped Screw	4
22	G080 4437	Stay:Exit:Lower	1
23	AA12 0102	Discharge Brush - Exit	1
24	G060 4496	Support Plate - Discharge Brush	1
25	G080 4430	Cover:Exit	1
26	G080 4446	Guide Plate:Fusing Exit:Upper	1
27	GA00 1010	Decal - Grip B2	1
28	G080 4435	Side Plate:Exit:Front	1
29	G080 4438	Pulley:Exit Roller:20t	2
30	G080 4445	Timing Belt:S2M186	1
31	G080 4456	Bracket:Magnet Catch:Front	1
32	G060 4447	Driven Roller - M16	6
33	AF04 0595	Roller:Driven:Connecting	1
34	G060 4436	Compression Spring - Exit Driven	2
35	B149 4452	Roller:Driven:Fusing Exit:Ass'y	1

Index No.	Part No.	Description	Q'ty Per Assembly
36	5215 2621	Snap Ring - M6	1
37	G080 4444	Cover:Exit:Lock:Duplex	2
101	0451 3006B	Tapping Screw - M3x6	
102	0450 3008B	Tapping Screw - M3x8	
103	0805 0089	Retaining Ring - M4	
104	0805 0092	Retaining Ring - 3m	

22.Paper Exit Section 2 (G106)

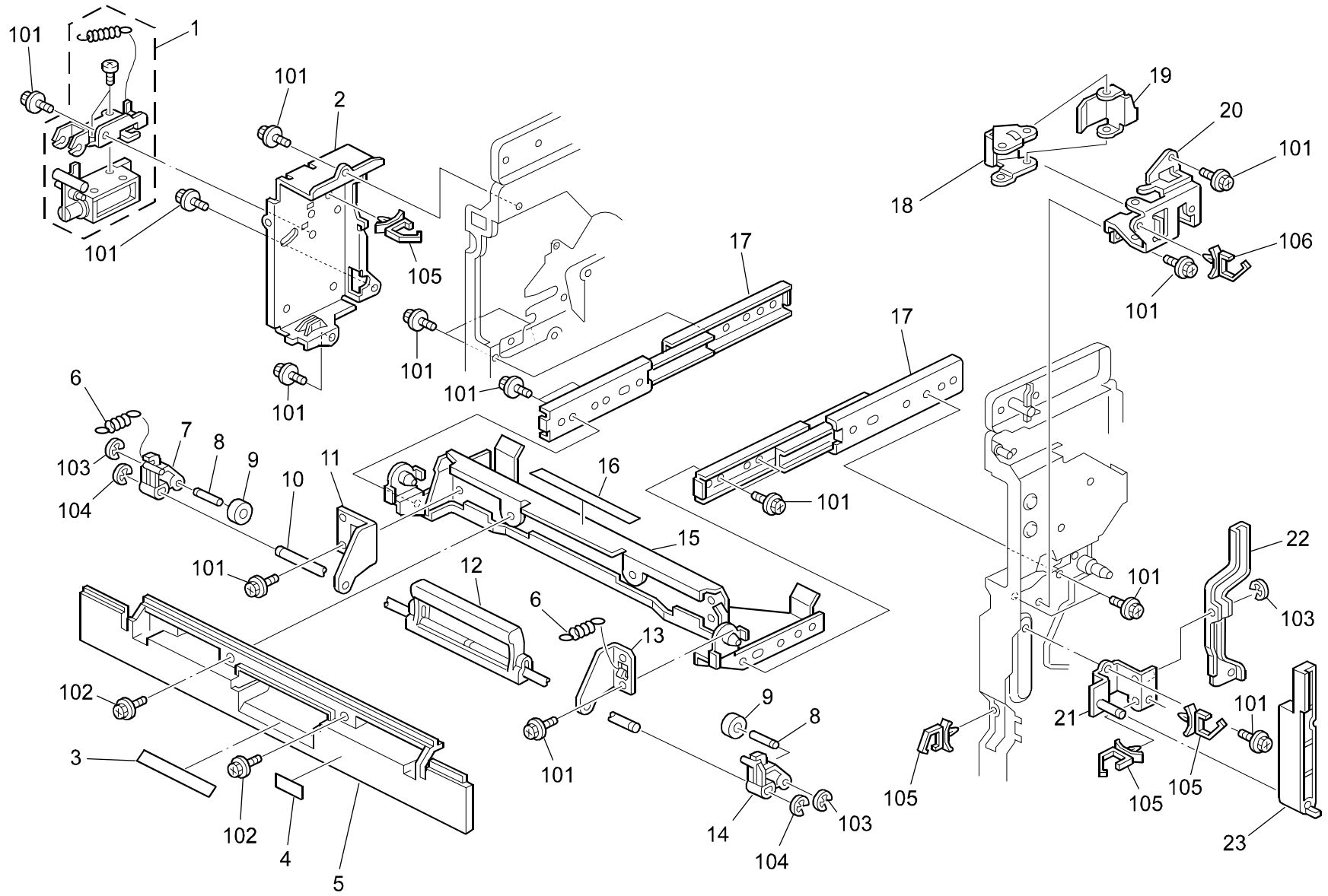


22.Paper Exit Section 2 (G106)

Index No.	Part No.	Description	Q'ty Per Assembly
1	G080 1099	Bracket:Option:Rear	1
2	G077 5821	Guide Plate:Left Upper:Peen	1
3	G080 4231	Holder:Oil	1
4	G080 4233	Clip - M11	2
5	G080 4232	Tube:Used Developer:Oil	1
6	G080 6041	Bracket:Drawer:Fusing	1
7	G080 1078	Supporter:Fusing Unit	1
8	AW02 0120	Photointerruptor - Flat	1
9	G080 3621	Cover:Density Sensor	1
10	G080 3620	Guide Plate:Transfer:Exit	1
11	G080 3611	Bracket:Density Sensor:Ass'y	1
12	G080 5495	Harness:Sensor:Tm	1
13	AA06 0921	Tension Spring:Shutter	1
14	B101 5450	ID Sensor	1
15	G080 3617	Shutter:Density Sensor:Ass'y	1
16	A259 6239	Screw - M3X4	1
17	G080 1098	Bracket:Option:Front	1
18	G080 3618	Sheet:Shutter	1
19	G080 1079	Holder:Connector:Ass'y	1

Index No.	Part No.	Description	Q'ty Per Assembly
101	0802 5291	Tapping Screw:Round Point:M3x6	
102	0451 3006B	Tapping Screw - M3x6	
103	0453 3006B	Tapping Screw - M3x6	
104	0353 0040B	Screw - M3X4	
105	1105 0511	Harness Clamp - LWS-0306ZC	

23.Paper Exit Section 3 (G106)

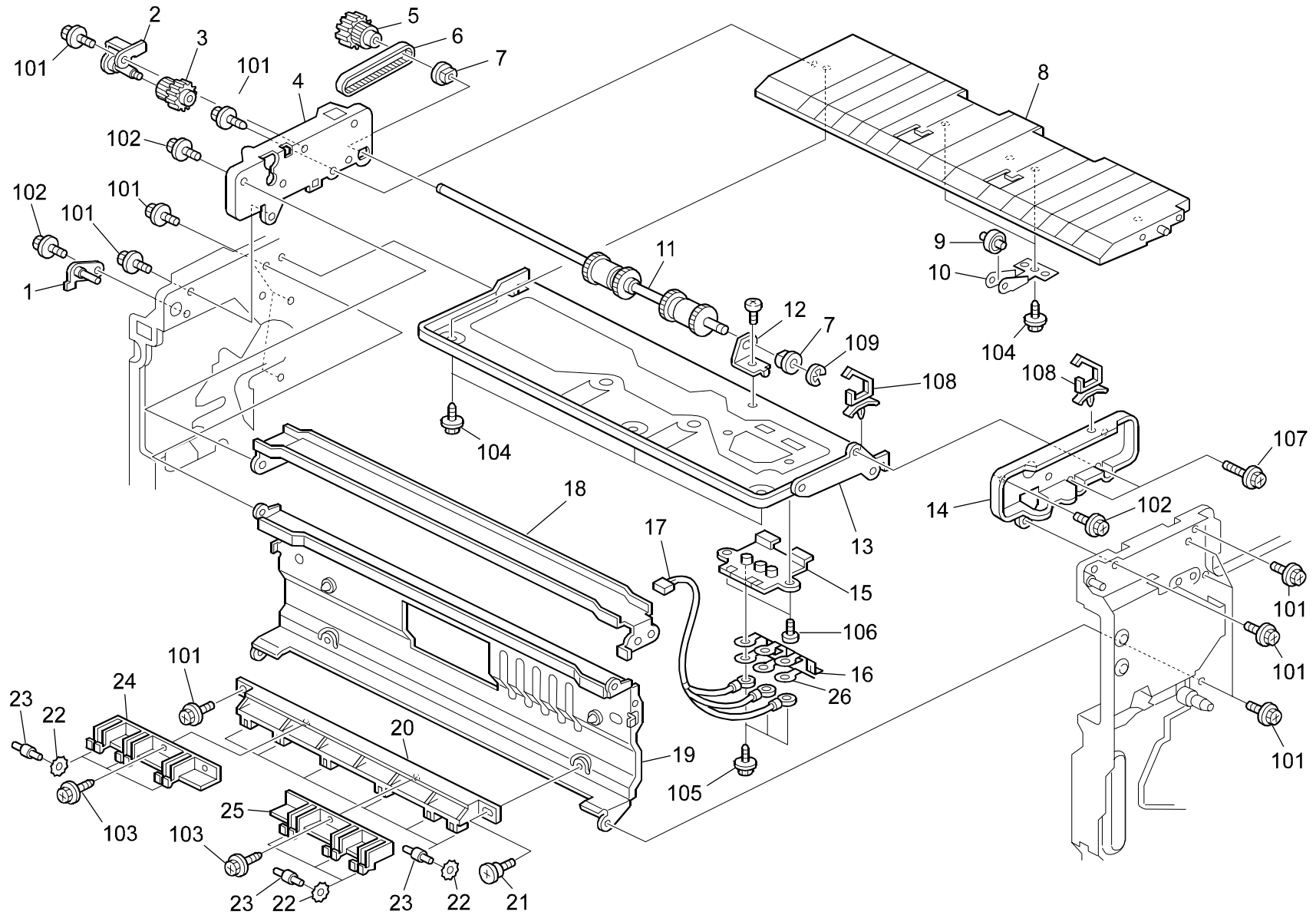


23.Paper Exit Section 3 (G106)

Index No.	Part No.	Description	Q'ty Per Assembly
1	G080 4470	DC Solenoid:Gate Pawl:Exit:Ass'y	1
2	G060 1091	Rear Fusing Bracket	1
3	GA00 3091	Decal - Grip B1 PS	1
4	GA00 3029	Decal - Vertical Transport	1
5	G106 6021	Holder:Fusing Unit:P3C:Peen	1
6	G060 6038	Detent Spring	2
7	G060 6033	Rear Holder Arm	1
8	G060 6037	Detent Shaft	2
9	G060 6035	Detent Roller	2
10	G060 6036	Arm Shaft	1
11	G060 6031	Bracket - Rear Lever	1
12	G060 6039	Grip - Cover	1
13	G060 6032	Bracket - Front Lever	1
14	G060 6034	Front Holder Arm	1
15	G080 6021	Holder:Fusing Unit:Peen	1
16	GA00 3055	Decal:Fusing Unit:Positioning Display	1
17	G080 6012	Slide Rail:110mm	2
18	G060 5823	Bracket - Door Switch	1
19	G060 5822	Bracket - Safety Switch	1
20	G060 5801	Bracket - Door Switch Lever	1
21	G080 5805	Bracket:Auxiliary:Peen	1
22	G080 5807	Lever:Door Switch	1
23	G060 5808	Arm - Safety Switch	1

Index No.	Part No.	Description	Q'ty Per Assembly
101	0802 5291	Tapping Screw:Round Point:M3x6	
102	0450 3008H	Tapping Screw - M3x8	
103	0720 0030E	Retaining Ring - M3	
104	0720 0060E	Retaining Ring - M6	
105	1105 0511	Harness Clamp - LWS-0306ZC	
106	1105 0488	Harness Clamp	
107	1105 0516	Clamp	

24.Paper Exit Section 4 (G106)

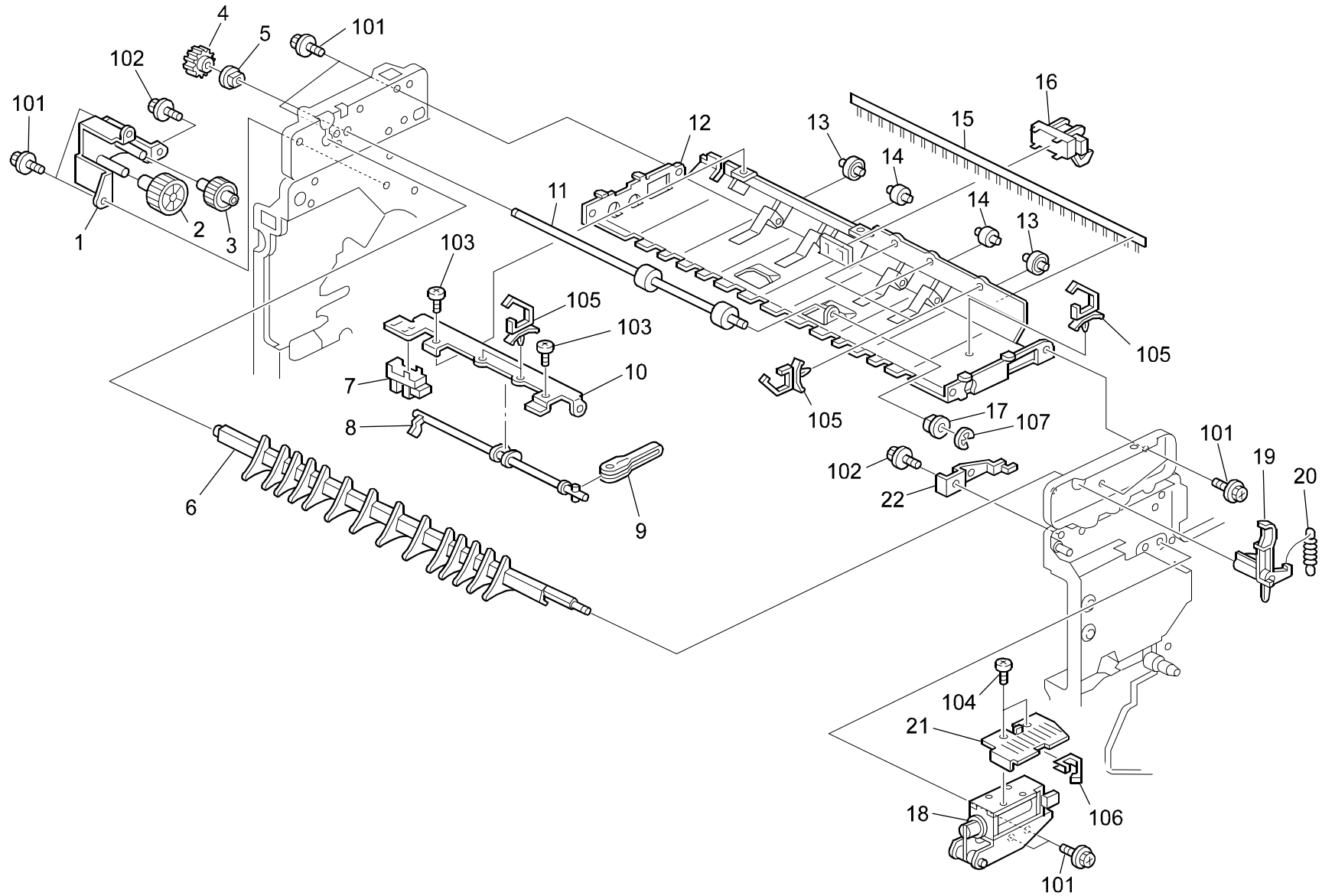


24.Paper Exit Section 4 (G106)

Index No.	Part No.	Description	Q'ty Per Assembly
1	G060 4850	Stopper Shaft Bracket	1
2	G077 4464	Bracket:Gear:Floppy Disk:Peen	1
3	G077 4462	Gear:Pulley:18z27t	1
4	G080 4461	Side Plate:Exit:FD:Rear	1
5	AB01 2321	Gear:Pulley:25z:30t	1
6	G060 4463	Timing Belt - S2M176	1
7	AA08 2101	Bushing - 6x10x6	2
8	G060 4455	Guide Plate:Exit:Lower	1
9	G060 4454	Driven Roller - M13	2
10	G060 4467	Roller Holder	2
11	AF04 0609	Exit Roller:Floppy Disk	1
12	G060 4457	Bracket - Exit Roller	1
13	G080 4462	Stay:Exit:Floppy Disk:Lower	1
14	G080 4460	Side Plate:Exit:FD:Front	1
15	G080 4291	Base:Set Sensor	1
16	G080 4292	Electrode:Set Sensor:Machine Or Copier	1
17	G080 5504	Harness:New Article Sensor:Oil	1
18	G080 4463	Stay:Exit:FD:Upper	1
19	G080 1066	Frame:Lengthwise Upper:Peen	1
20	G080 4097	Holder:Guide:Roller	1
21	AA14 3716	Stepped Screw	1
22	A267 3255	Paper Separation Guide	12
23	G060 4098	Shaft:Guide	12
24	G060 4096	Holder:Guide:Rear	1
25	G060 4095	Holder:Guide:Front	1
26	G080 4293	Supporting Plate:Set Sensor	1

Index No.	Part No.	Description	Q'ty Per Assembly
101	0451 3006B	Tapping Screw - M3x6	
102	0802 5291	Tapping Screw:Round Point:M3x6	
103	0452 3008B	Tapping Screw - M3x8	
104	0450 3006B	Tapping Screw - M3x6	
105	0452 3006B	Tapping Screw - M3x6	
106	0353 0080B	Screw - M3X8	
107	0451 3010B	Tapping Screw - M3x10	
108	1105 0511	Harness Clamp - LWS-0306ZC	
109	0720 0040E	Retaining Ring - M4	

25.Paper Exit Section 5 (G106)

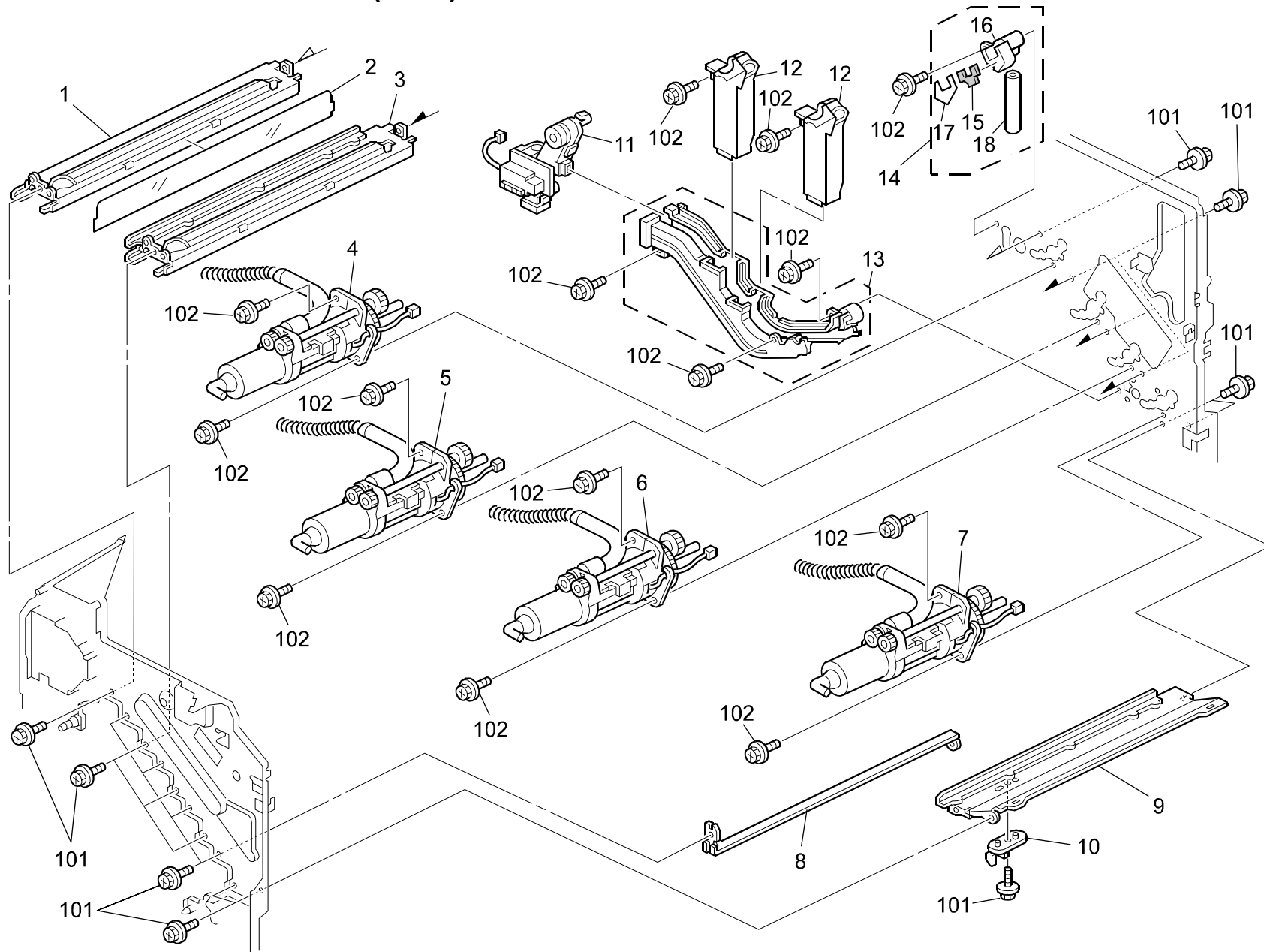


25.Paper Exit Section 5 (G106)

Index No.	Part No.	Description	Q'ty Per Assembly
1	G080 4464	Bracket:Idler:FD:Peen	1
2	AB01 2322	Gear:Idler:29z	1
3	AB01 2323	Gear:Idler:19z	1
4	G060 4458	Gear - 16Z	1
5	AA08 2101	Bushing - 6x10x6	1
6	G060 4459	Gate Pawl	1
7	AW02 0120	Photointerruptor - Flat	1
8	G060 4479	Shaft - Paper Sensor	1
9	G060 4482	Feeler - Paper Sensor	1
10	G060 4481	Bracket - Paper Sensor	1
11	AF04 0608	Transport Roller:Floppy Disk	1
12	G060 4451	Upper Exit Guide Plate	1
13	G060 4447	Driven Roller - M16	2
14	G060 4428	Drinev Roller - M13	2
15	AA12 0102	Discharge Brush - Exit	1
16	AW02 0121	Photointerruptor - Square	1
17	AA08 2102	Bushing - 6x10x6	1
18	G080 4270	DC Solenoid:Oil Supply:Ass'y	1
19	G060 4460	Lever - Gate Pawl	1
20	G060 4461	Tension Spring - Gate Pawl	1
21	G060 4335	Heat Sink - DC Solenoid Apply	1
22	G080 4239	Plate:Grip	1

Index No.	Part No.	Description	Q'ty Per Assembly
101	0802 5291	Tapping Screw:Round Point:M3x6	
102	0451 3006B	Tapping Screw - M3x6	
103	0453 3006B	Tapping Screw - M3x6	
104	0353 0040B	Screw - M3X4	
105	1105 0511	Harness Clamp - LWS-0306ZC	
106	1105 0522	Edge Saddle - LES0510	
107	0720 0040E	Retaining Ring - M4	

26. Waste Toner Transfer Section (G106)



26.Waste Toner Transfer Section (G106)

Index No.	Part No.	Description	Q'ty Per Assembly
1	G080 1072	Supporter:PCU	1
2	G060 1184	Film - PCU Guide Rail	1
3	G080 1071	Supporter:PCU:Peen	1
4	B101 3356	Pump:Toner Supply Unit:BK:Sub-ass'y	1
5	B101 3359	Pump:Toner Supply Unit:Y:Sub-ass'y	1
6	B101 3358	Pump:Toner Supply Unit:C:Sub-ass'y	1
7	B101 3357	Pump:Toner Supply Unit:M:Sub-ass'y	1
8	G060 1076	Left Guide - Development Unit	1
9	G060 1074	Upper Registration Stay	1
10	G060 2972	Safety Switch Feeler	1
11	B101 3788	Guide:Collection Bottle:Ass'y	1
12	B101 3361	Toner Outlet Sub-unit:CY:Sub-ass'y	2
13	B101 3789	Toner Outlet Sub-unit:M:Sub-ass'y	1
14	B101 3366	Toner Outlet Sub-unit:BK:Sub-ass'y	1
15	AA15 3463	Seal - Case M/Y	1
16	B101 3560	Case:Connecting:BK	1
17	B101 3562	Cover:Connecting:BK:Ass'y	1
18	G060 3372	Tube - K	1

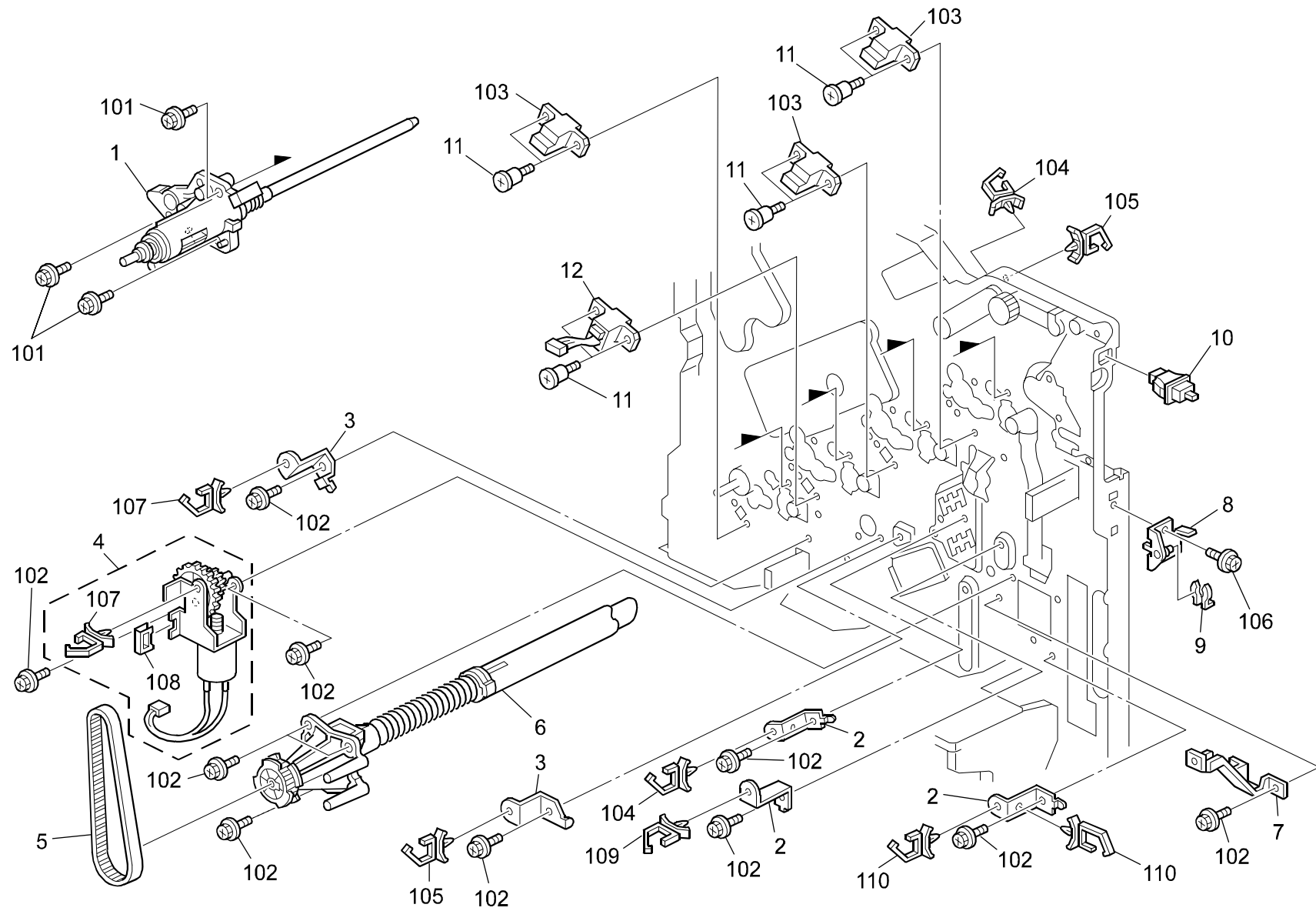
Index No.	Part No.	Description	Q'ty Per Assembly
101	0451 3006B	Tapping Screw - M3x6	
102	0451 3008B	Tapping Screw - M3x8	

27. Drive Section 1 (G106)

Index No.	Part No.	Description	Q'ty Per Assembly
1	G060 1120	Drive Unit - C/M/Y Development	1
2	AA08 0257	Bushing - M6	4
3	G077 1100	Drive Unit - K Development	1
4	G060 1199	Inner PCU Duct	1
5	G080 1151	Shielding Plate:Gear:Drum	1
6	G080 1152	Holder:Positioning Sensor:Gear:Drum	2
7	AW02 0120	Photointerruptor - Flat	2
8	G077 1117	Magnetic Clutch Holder	1
9	AA08 2101	Bushing - 6x10x6	1
10	AX20 0244	Magnetic Clutch - Development	1
11	G080 1115	Joint:Development:Sub-Ass'y	1
12	G080 1169	Screw:M3	2
13	AB01 0121	Gear:Drum:Z303:M0.3	1
14	G080 1036	Gear:Drum:Ass'y	1
15	AB01 7633	Gear:Toner Recycling:Z105-t28	1
16	AB01 0122	Gear:Middle:Collar:Z140	1
17	B101 1168	Ground Plate:OPC Drum	1
18	G080 1154	Bracket:Drum:Drive:Peen	1
19	G106 1164	Stepper Motor - Collar Ass'y	1
20	G106 1163	Stepper Motor - Black Ass'y	1
21	AA13 2220	Spacer:Mm8.2:1mm	1

Index No.	Part No.	Description	Q'ty Per Assembly
101	0451 3006B	Tapping Screw - M3x6	
102	0450 3008B	Tapping Screw - M3x8	
103	0951 4008B	Philips Screw With Washer - M4x8	
104	0451 3005W	Tapping Screw - 3x5	
105	1105 0511	Harness Clamp - LWS-0306ZC	
106	1105 0522	Edge Saddle - LES0510	
107	0805 0089	Retaining Ring - M4	
108	1105 0516	Clamp	

28. Drive Section 2 (G106)

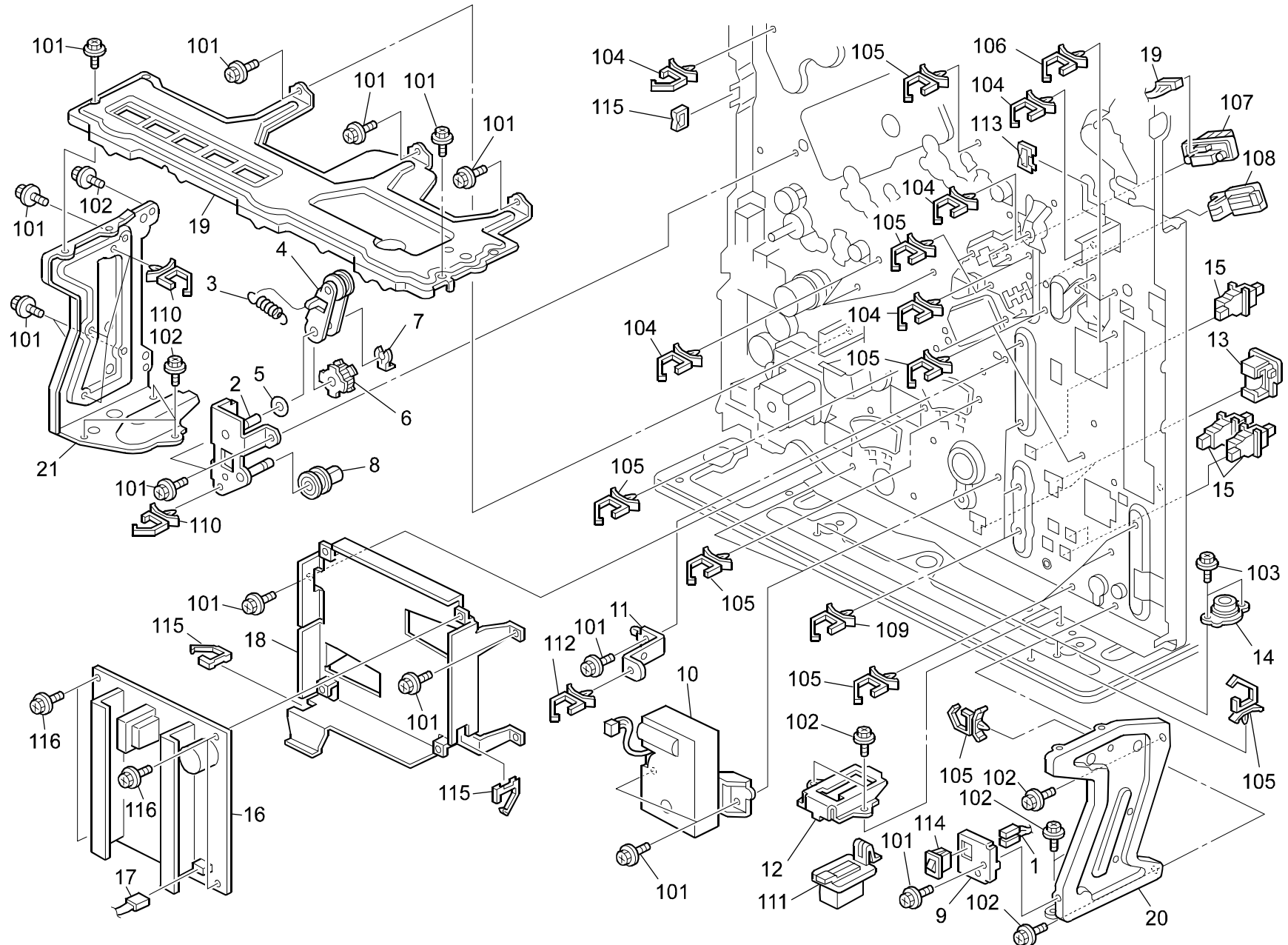


28. Drive Section 2 (G106)

Index No.	Part No.	Description	Q'ty Per Assembly
1	G080 1026	Holder:OPC Drum:Ass'y	4
2	G060 5870	Clamp - M4.8	3
3	G060 5871	Clamp - M3.5	2
4	G060 3706	DC Motor - 1.56W	1
5	AA04 3559	Timing Belt - S2M370	1
6	B101 3768	Joint:Collection Bottle:Ass'y	1
7	G080 5832	Stay:Auxiliary:DRB	1
8	G060 4855	Link Bracket	1
9	5447 2681	Snap Ring	1
10	AW50 0023	Push Switch	1
11	AA14 3219	Stepped Screw	8
12	G060 5530	Harness - Density Sensor	1

Index No.	Part No.	Description	Q'ty Per Assembly
101	0451 3008B	Tapping Screw - M3x8	
102	0451 3006B	Tapping Screw - M3x6	
103	1102 8519	Connector - MI2 99RH139-9236	
104	1105 0487	Harness Clamp	
105	1105 0516	Clamp	
106	0451 3006H	Tapping Screw - 3x6	
107	1105 0511	Harness Clamp - LWS-0306ZC	
108	1105 0522	Edge Saddle - LES0510	
109	1105 0488	Harness Clamp	
110	1105 0490	Harness Clamp - IWS-2218	

29. Drive Section 3 (G106)

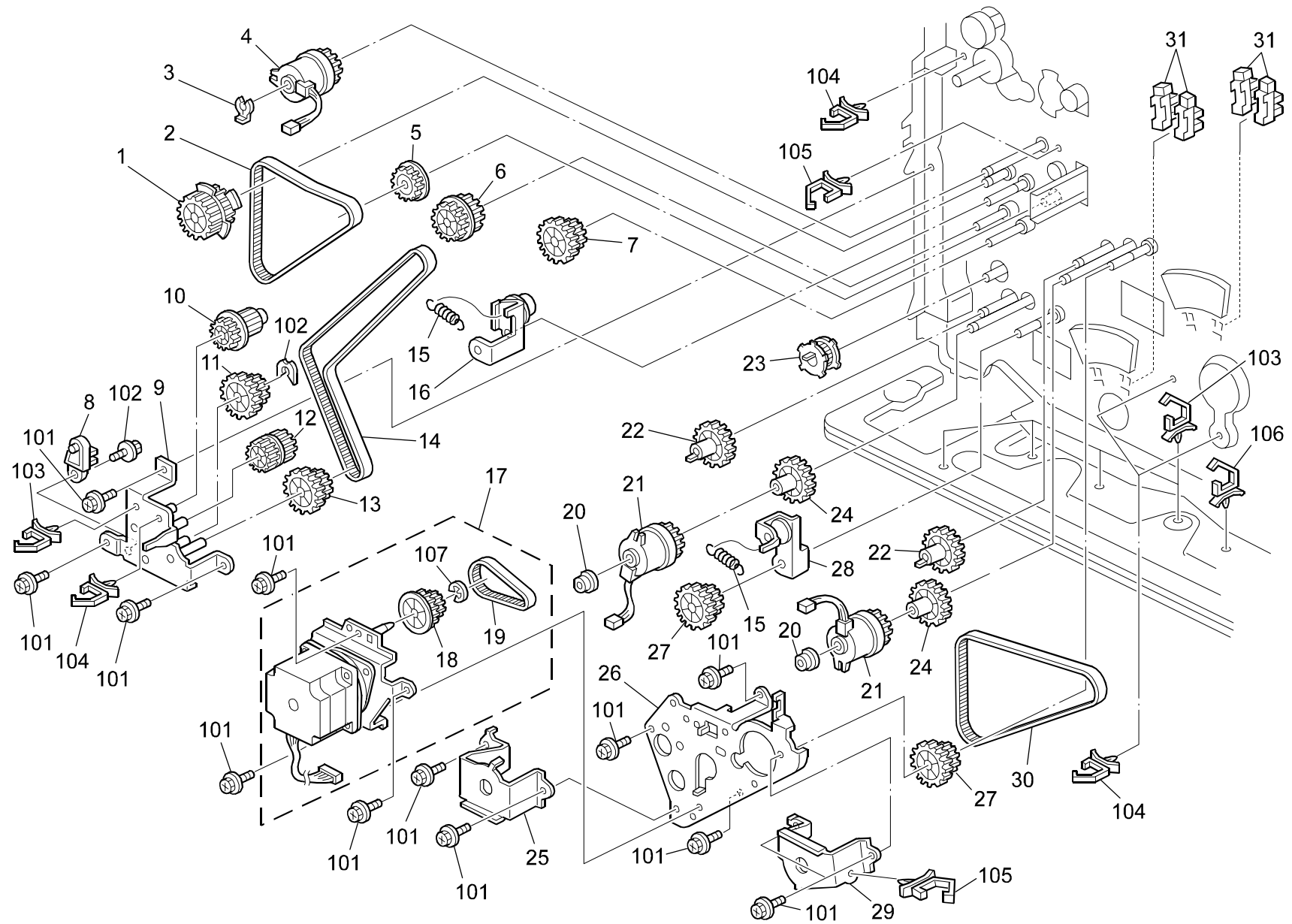


29.Drive Section 3 (G106)

Index No.	Part No.	Description	Q'ty Per Assembly
1	G080 5519	Harness:Dehumidifier	1
2	G080 1111	Bracket:Connecting:Peen	1
3	AA06 0862	Tension Spring	1
4	G060 1106	Registration Tightner	1
5	H072 2236	Spacer - M12x6.2	1
6	AB03 0686	Registration Timing Pulley	1
7	5447 2681	Snap Ring	1
8	AB03 0685	Idle Pulley - M15	1
9	G080 5816	Bracket:Switch:Heater	1
10	G060 2800	DC Motor - DC24V 0.5W	1
11	G060 5870	Clamp - M4.8	1
12	G060 1053	Drawer Bracket - Paper Feed Table	1
13	G060 2801	Holder - Paper Tray	2
14	G060 1054	Holder:Guide Pin:Paper Feed Table	2
15	AW50 0023	Push Switch	3
16	AZ23 0136	Sub Power Supply Unit DOM/NA	1
16	AZ23 0137	Power Supply Unit - Sub EU/AA J-P3	1
17	G106 5351	Harness - Power Supply Unit	1
18	G106 5631	Sub Power Supply Unit Bracket	1
19	G060 1087	Rack Holder	1
20	G060 1083	Rear Left Channel	1
21	G060 1085	Rear Right Channel	1

Index No.	Part No.	Description	Q'ty Per Assembly
101	0451 3006B	Tapping Screw - M3x6	
102	0802 5291	Tapping Screw:Round Point:M3x6	
103	0802 5292	Tapping Screw:Round Point:M3x8	
104	1105 0511	Harness Clamp - LWS-0306ZC	
105	1105 0487	Harness Clamp	
106	1105 0490	Harness Clamp - IWS-2218	
107	1102 8535	Connector - QR/P17-14P-A	
108	1102 9386	Connector:Drawer:55949-2631	
109	1105 0489	Harness Clamp - LWS 1316	
110	1105 0488	Harness Clamp	
111	1102 8534	Connector - QR/P17-14S-B	
112	1105 0516	Clamp	
113	1105 0522	Edge Saddle - LES0510	
114	1204 2623	Rocker Switch:Aj7100b	
115	1105 0518	Edge Saddle - LES-1010	
116	0804 6075	Hexagonal Bolt - M3x8	

30. Drive Section 4 (G106)

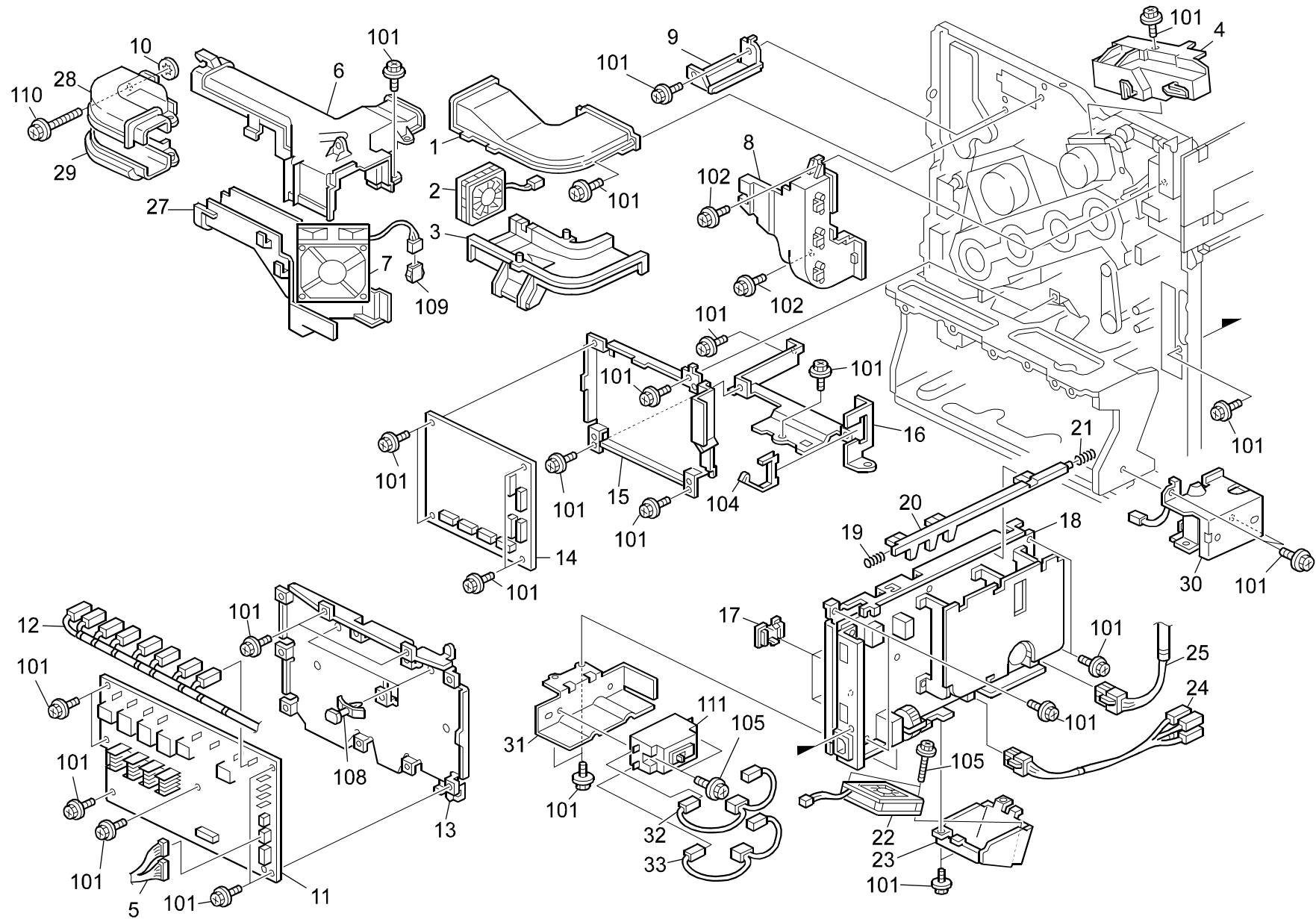


30.Drive Section 4 (G106)

Index No.	Part No.	Description	Q'ty Per Assembly
1	AB01 7641	Gear - Z28/T35	1
2	AA04 3561	Timing Belt - 40S3M318	1
3	AA10 0013	Snap Ring M6	1
4	AX20 0220	Magnetic Clutch - Registration	1
5	AB03 0690	Timing Pulley - T20	1
6	AB01 7543	Gear - Z25/T26	1
7	AB01 7545	Gear - Z28/Z21	1
8	G080 1161	Positioning Plate:Shaft:Drive:Manual Feed	1
9	G080 1109	Bracket:Drive:Manual Feed:Peen	1
10	AB01 7635	Gear - Z15/Z17	1
11	AB01 7540	Gear - Z28/Z29	1
12	AB01 1241	Gear - Z15	1
13	AB01 7634	Gear - Z18/Z29	1
14	AA04 3925	Timing Belt - S2M668	1
15	AA06 0863	Tension Spring	2
16	G077 1173	Tightener - Paper Feed 1	1
17	G080 1170	Drive Unit:Stepper Motor:Paper Feed:Ass'y	1
18	AB01 7542	Gear - 15Z/30Z	1
19	AA04 3563	Timing Belt - 40S3M162	1
20	AA08 2102	Bushing - 6x10x6	2
21	AX20 0221	Magnetic Clutch - Paper Feed	2
22	AB01 4038	Gear - 22Z	2
23	AB03 0710	Timing Pulley - 20T	1
24	AB01 4037	Gear - 24Z	2
25	G060 1177	Bracket - Magnetic Clutch 2	1
26	G080 1171	Bracket:Paper Feed:Drive	1
27	AB01 7544	Gear - Z25/T20	2
28	G060 1174	Tightener - Paper Feed	1
29	G060 1176	Bracket - Magnetic Clutch 1	1
30	AA04 3562	Timing Belt - 40S3M384	1
31	AW02 0120	Photointerruptor - Flat	4

Index No.	Part No.	Description	Q'ty Per Assembly
101	0451 3006B	Tapping Screw - M3x6	
102	0805 0089	Retaining Ring - M4	
103	1105 0488	Harness Clamp	
104	1105 0511	Harness Clamp - LWS-0306ZC	
105	1105 0487	Harness Clamp	
106	1105 0489	Harness Clamp - LWS 1316	
107	0720 0040E	Retaining Ring - M4	

31.Electrical Section 1 (G106)

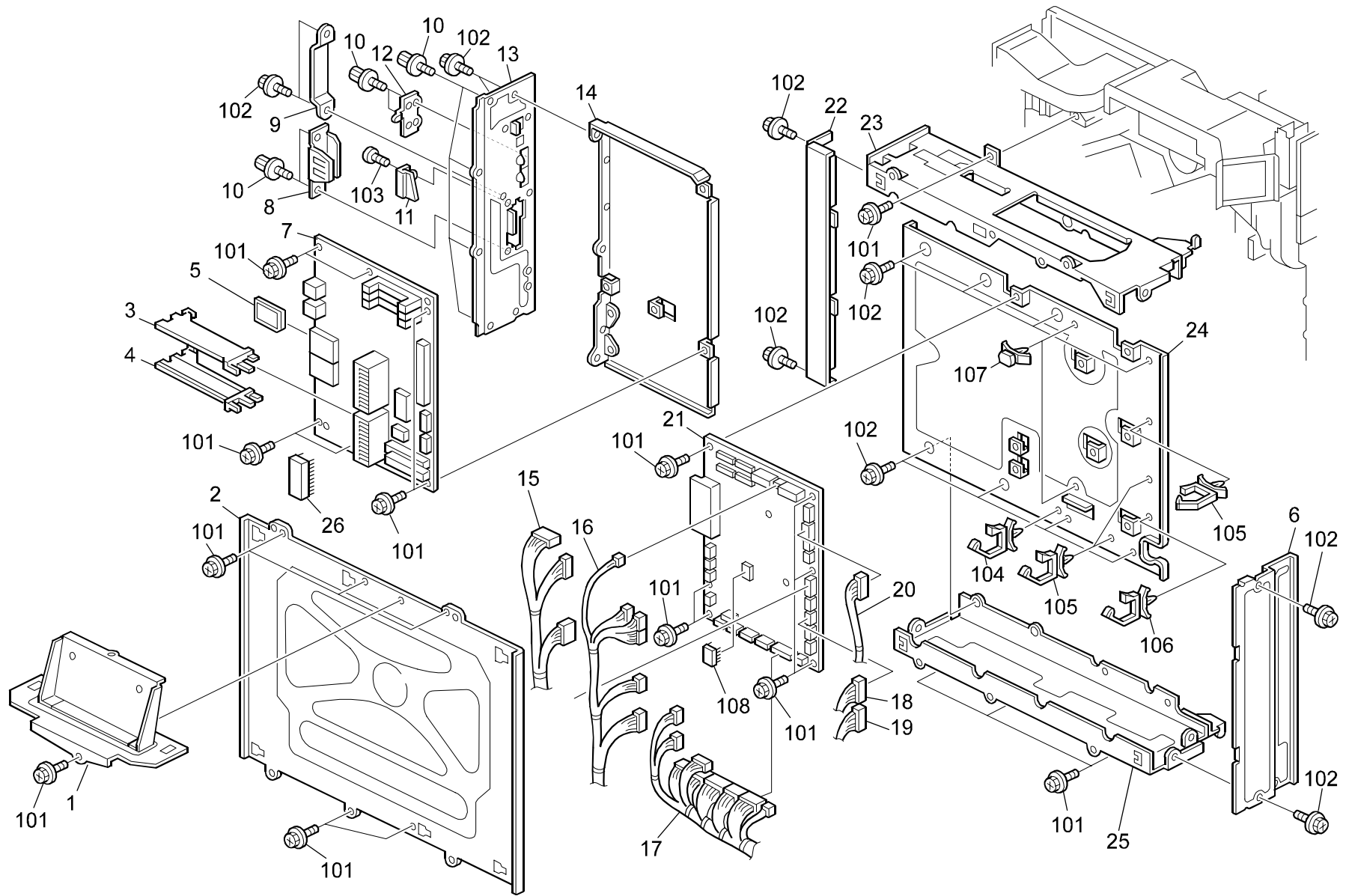


31.Electrical Section 1 (G106)

Index No.	Part No.	Description	Q'ty Per Assembly
1	G060 1555	Upper Controller Duct	1
2	AX64 0146	Fan:MM60:Axial	1
3	G106 1556	Duct:Control Section:Lower	1
4	B101 1194	Imaging Unit Harness Guide	1
6	B101 1182	Upper Fan Duct	1
7	AX64 0103	Fan Motor - DC2.4W	1
8	G077 1560	Duct:Power Supply Unit:Upper Position	1
9	G077 5820	Guide Plate - Upper Rack	1
11	AZ32 0126	Power Pack:CB	1
12	B149 5325	Harness - Power Pack C/B/PCU	1
13	G060 5816	Bracket - Power Pack	1
14	B101 5130	PCB DRB	1
15	G080 5831	Bracket:DRB	1
16	G080 5833	Bracket:Edge Saddle:DRB	1
17	G060 5862	Cap - PSU	4
18	AZ23 0133	Power Supply Unit - Main EU/AA/CHN J-P3	1
18	AZ23 0144	Main Power Supply Unit DOM/NA	1
19	AA06 3613	Compression Spring	1
20	G060 5861	Inner Back Lever - Door Switch	1
21	AA06 3638	Compression Spring	1
22	AX64 0154	Fan:15mm:24V	1
23	G060 5863	Bracket - PSU Fan	1
24	G080 5516	Harness:AC:Switch	1
25	G080 5513	Harness:Fusing:Machine Or Copier:AC	1
27	B101 1183	Lower Fan Duct	1
28	B101 1192	Upper PCU Exit Duct	1
29	B101 1193	Lower PCU Exit Duct	1
30	B101 5647	Choke Coil Bracket - NA	1
30	B148 6251	Choke Coil Bracket - EU/AA	1
31	B101 5646	Leak Breaker Bracket	1
32	B101 5353	Harness - Leak Breaker L	1
33	B101 5354	Harness - Leak Breaker N	1
34	H001 2132	Stop Ring - Knob	1
35	G106 5320	Harness - Main Lower	1

Index No.	Part No.	Description	Q'ty Per Assembly
101	0451 3006B	Tapping Screw - M3x6	
102	0802 5291	Tapping Screw:Round Point:M3x6	
103	0450 3008B	Tapping Screw - M3x8	
104	1105 0544	Edge Saddle:Les-2017	
105	0802 5286	Tapping Screw	
106	0450 4035B	Philips Tapping Screw - M4x35	
107	1105 0511	Harness Clamp - LWS-0306ZC	
108	1105 0367	Spacer	
109	1102 6246	Relay Connector - 4P	
110	0451 3014B	Tapping Screw - M3-14	
111	1107 1073	Leak Breaker 100-240V/20A	

32.Electrical Section 2 (G106)

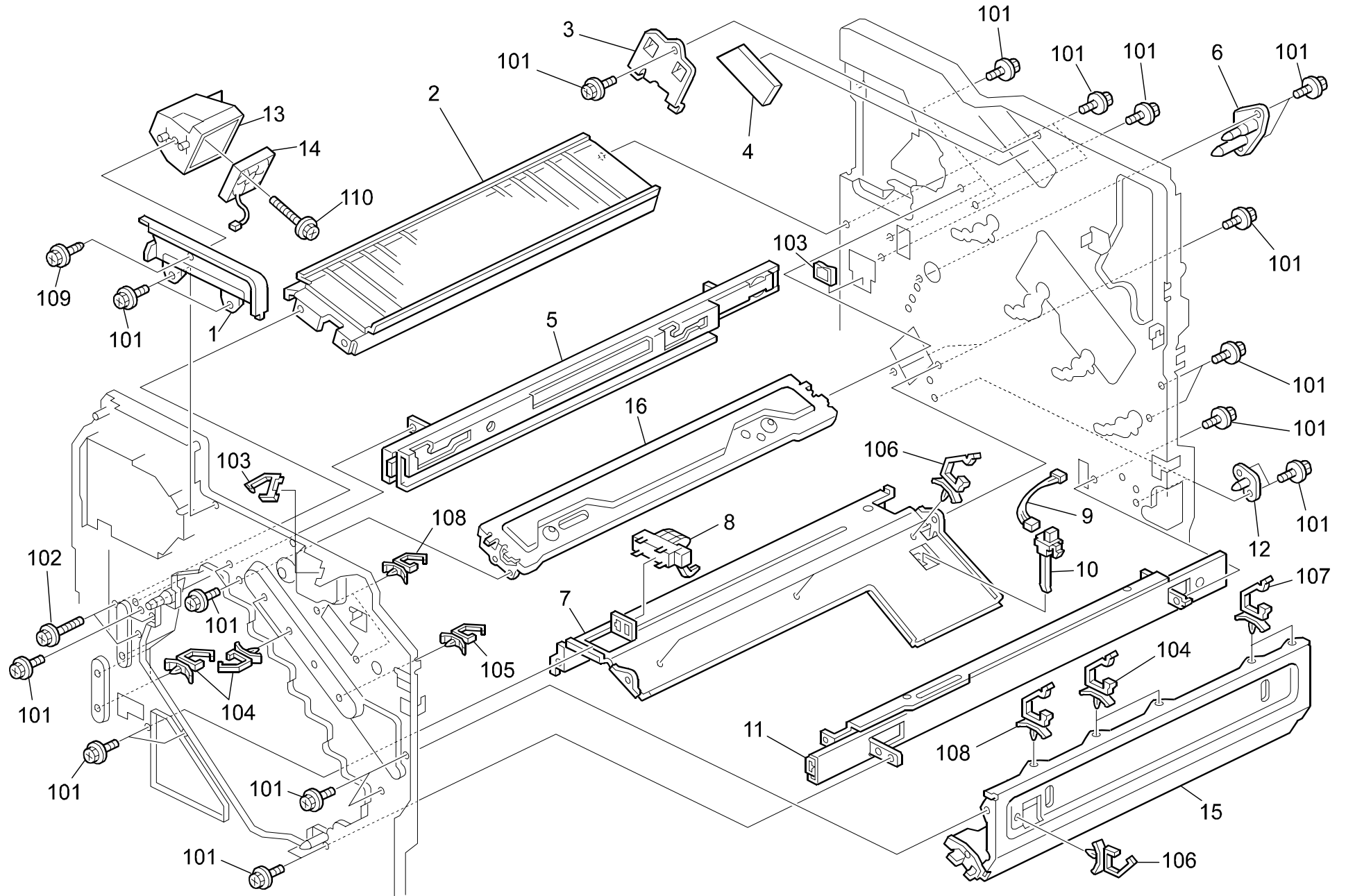


32.Electrical Section 2 (G106)

Index No.	Part No.	Description	Q'ty Per Assembly
1	G106 5620	Cover:Rack:Upper:Peen	1
2	G106 5609	Rear Application Rack	1
3	G108 5107	Left Guide 1	1
4	G108 5108	Right Guide 1	1
5	G106 5922	SD-Card:J-P3:EXP:Ass'y	1
6	G106 5625	Left Rack Cover	1
7	G106 5731	PCB Type-JC Ass'y	1
8	B101 5993	Interface Panel	1
9	G060 5853	Grip - Application	1
10	G034 2993	Flanged Hexagonal Head Bolt - M3x6	8
11	B101 5994	Card Panel	1
12	G106 5994	SD-Card 2 Panel	1
13	G106 5992	Control Board Panel	1
14	B101 5991	Control Board Bracket	1
15	G106 5322	Harness - Power Supply Unit	1
16	B101 5321	Harness - Middle Main	1
17	G106 5320	Harness - Main Lower	1
18	B149 5323	Harness - SV Left Main	1
19	G080 5455	Harness:Fusing:Machine Or Copier:DC	1
20	G080 5457	Harness:DRB	1
21	G106 5055	PCB BCU	1
22	G106 5626	Right Rack Cover	1
23	G106 5602	Upper Application Rack	1
24	G106 5605	Front Application Rack	1
25	G106 5606	Lower Application Rack	1
26	G106 9590	NVRAM - Zero Counter	1

Index No.	Part No.	Description	Q'ty Per Assembly
101	0451 3006B	Tapping Screw - M3x6	
102	0451 3006H	Tapping Screw - 3x6	
103	0353 0060H	Screw:M3x6	
104	1105 0487	Harness Clamp	
105	1105 0489	Harness Clamp - LWS 1316	
106	1105 0490	Harness Clamp - IWS-2218	
107	1105 0367	Spacer	
108	1407 5751	EEPROM:M24C64-WBN6(REV.B)	

33.Frame Section 1 (G106)

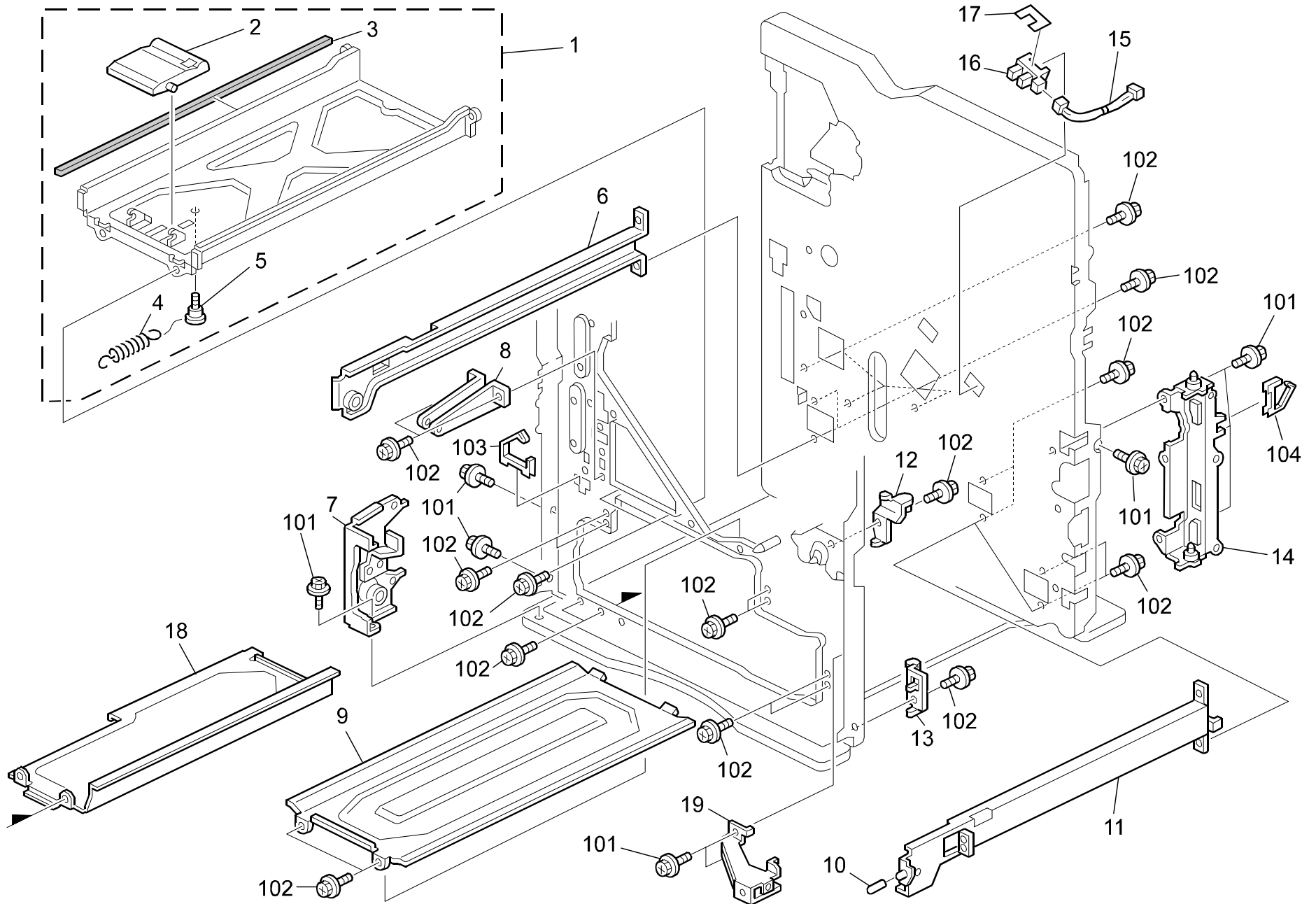


33.Frame Section 1 (G106)

Index No.	Part No.	Description	Q'ty Per Assembly
1	G106 1480	Guide Plate:Operation Panel	1
2	G060 4820	Relay Guide Plate	1
3	G060 5899	FFC Harness Plate	1
4	G060 5898	FCC Harness Cushion	1
5	AA07 1009	Slide Rail:Left:Ass'y	1
6	G060 4860	Duplex Left Bracket	1
7	G060 3623	Collection Bottle Bracket	1
8	AW02 0121	Photointerruptor - Square	1
9	G080 5493	Harness:Set Sensor:Bottle	1
10	AW50 0025	Set Sensor - Collection Bottle	1
11	AA07 1010	Slide Rail:Right:Ass'y	1
12	G060 4865	Duplex Right Bracket	1
13	G106 1193	Duct:Cooling:PCU	1
14	AX64 0146	Fan:MM60:Axial	1
15	G060 1070	Right Guide Plate - Imaging Unit	1
16	G060 1068	Left Guide Plate - Imaging Uni	1

Index No.	Part No.	Description	Q'ty Per Assembly
101	0451 3006B	Tapping Screw - M3x6	
102	0451 3010B	Tapping Screw - M3x10	
103	1105 0522	Edge Saddle - LES0510	
104	1105 0487	Harness Clamp	
105	1105 0489	Harness Clamp - LWS 1316	
106	1105 0511	Harness Clamp - LWS-0306ZC	
107	1105 0488	Harness Clamp	
108	1105 0516	Clamp	
109	0450 3008B	Tapping Screw - M3x8	
110	0450 4025B	Tapping Screw With Washer - M4x25	

34.Frame Section 2 (G106)

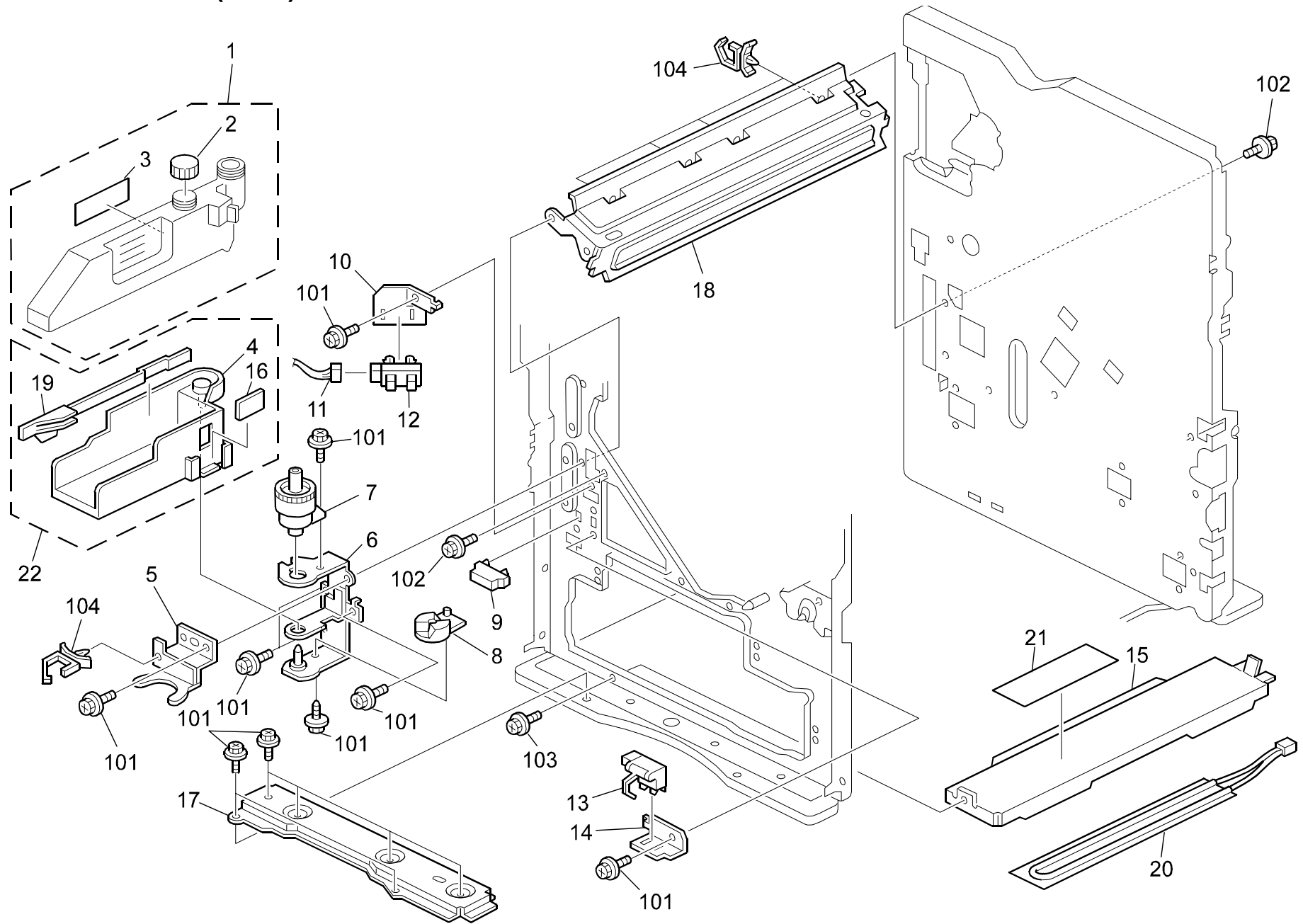


34.Frame Section 2 (G106)

Index No.	Part No.	Description	Q'ty Per Assembly
1	G060 1079	Holder - Used Collection Bottle	1
2	G060 3627	Toner Bottle Sensor Feeler	1
3	G060 3629	Shield:Holder:Collection Bottle	1
4	G060 3626	Used Toner Sensor Spring	1
5	G012 4617	Stepped Screw - M3	1
6	G060 2779	Left Supporter	1
7	G060 1089	Front Left Supporting Plate	1
8	G060 1277	Bracket - Front Cover Hinge	1
9	G060 1081	Shielding Plate - Paper Feed	1
10	B004 2995	Cap - Positioning	1
11	G060 2780	Supporter:Right:Ass'y	1
12	G060 2830	Upper Positioning Plate	1
13	G060 2834	Lower Positioning Plate	1
14	G060 1095	Vertical Transport Hinge	1
15	G080 5491	Harness:Sensor:On-off	1
16	AW02 0120	Photointerruptor - Flat	1
17	G060 3998	Seal - Sensor	1
18	G106 5645	Lower Shielding Plate	1
19	B101 1301	Right Front Grip Supporting Plate	1

Index No.	Part No.	Description	Q'ty Per Assembly
101	0802 5291	Tapping Screw:Round Point:M3x6	
102	0451 3006B	Tapping Screw - M3x6	
103	1105 0522	Edge Saddle - LES0510	
104	1105 0518	Edge Saddle - LES-1010	

35.Frame Section 3 (G106)



35.Frame Section 3 (G106)

Index No.	Part No.	Description	Q'ty Per Assembly
1	G080 4358	Oil Tank:Collect:Ass'y	1
2	B051 4361	Cap - Oil Tank Assembly	1
3	GA00 0030	Decal:Oil Application Unit:Right	1
4	G080 4364	Holder:Oil Tank	1
5	G080 4394	Holder:Oil Tank:Ass'y	1
6	G080 4360	Bracket - Oil Collection Unit	1
7	G080 4370	Valve:Oil:Collect:Machine Or Copier:Ass'y	1
8	G080 4363	Cam:Contact Point	1
9	AG07 1011	Magnet Catch	1
10	G080 4380	Bracket:Sensor	1
11	G080 5505	Harness:Oil:Full	1
12	G024 4740	Oil End Sensor	1
13	AW02 0136	Photointerruptor:Set Sensor	1
14	G080 4384	Bracket:Set Sensor:Oil Tank	1
15	G080 5815	Heater Cover	1
16	G080 4387	Magnet Catch	1
17	G060 1099	Supporting Plate:Front Lower	1
18	G080 1082	Guide Plate:Transport Unit	1
19	G080 4383	Lever:Oil Tank	1
20	AX40 0109	Heater - 120V 9W	1
20	AX40 0110	Heater - 230V 9W	1
21	AA00 0401	Decal - High Temperature	1
22	G080 4359	Holder:Oil Tank:Ass'y	1

Index No.	Part No.	Description	Q'ty Per Assembly
101	0802 5291	Tapping Screw:Round Point:M3x6	
102	0451 3006B	Tapping Screw - M3x6	
103	0451 4006B	Tapping Screw - 4x6	
104	1105 0511	Harness Clamp - LWS-0306ZC	
105	1105 0522	Edge Saddle - LES0510	

36.Printer Control Board (G106)

CAPACITOR

SYMBOL NO.	INDEX NO.	SYMBOL NO.	INDEX NO.	SYMBOL NO.	INDEX NO.	SYMBOL NO.	INDEX NO.	SYMBOL NO.	INDEX NO.	SYMBOL NO.	INDEX NO.	SYMBOL NO.	INDEX NO.
C1	186	---	---	C21	184	C31	168	---	---	C51	184	C61	191
C2	167	C12	186	C22	186	C32	183	---	---	C52	194	C62	260
C3	218	C13	184	C23	168	C33	186	C43	186	C53	218	C63	260
C4	184	C14	186	C24	184	C34	186	---	---	C54	188	C64	260
C5	193	C15	186	C25	186	---	---	---	---	C55	186	C65	260
C6	186	C16	218	C26	184	C36	186	C46	175	C56	188	C66	259
C7	187	C17	166	C27	164	C37	178	C47	187	C57	187	C67	259
C8	186	C18	186	C28	184	C38	168	---	---	C58	186	C68	259
C9	184	C19	186	C29	183	C39	186	---	---	C59	186	C69	259
C10	179	C20	164	C30	178	---	---	C50	190	C60	191	---	---

CAPACITOR

SYMBOL NO.	INDEX NO.	SYMBOL NO.	INDEX NO.	SYMBOL NO.	INDEX NO.	SYMBOL NO.	INDEX NO.	SYMBOL NO.	INDEX NO.	SYMBOL NO.	INDEX NO.	SYMBOL NO.	INDEX NO.
C71	187	C81	260	C91	186	C101	186	C111	186	C121	194	C131	191
---	---	---	---	---	---	C102	175	C112	186	---	---	C132	169
C73	261	---	---	C93	218	C103	186	C113	175	---	---	C133	184
C74	259	C84	186	C94	191	C104	186	C114	195	---	---	C134	186
C75	259	---	---	C95	186	C105	186	C115	186	C125	171	C135	186
C76	259	C86	184	C96	184	C106	174	C116	174	C126	186	C136	186
C77	259	C87	218	C97	218	C107	184	C117	180	C127	186	C137	186
C78	260	C88	184	C98	186	C108	186	C118	179	C128	184	C138	191
C79	260	C89	184	C99	193	C109	186	C119	192	C129	186	C139	191
C80	260	---	---	C100	186	C110	186	C120	185	C130	186	C140	186

36.Printer Control Board (G106)

CAPACITOR

SYMBOL NO.	INDEX NO.	SYMBOL NO.	INDEX NO.	SYMBOL NO.	INDEX NO.	SYMBOL NO.	INDEX NO.	SYMBOL NO.	INDEX NO.	SYMBOL NO.	INDEX NO.	SYMBOL NO.	INDEX NO.
C141	186	C151	184	C161	182	C171	173	C181	184	C191	173	C201	188
C142	184	C152	184	C162	184	C172	186	C182	182	C192	186	C202	182
C143	186	C153	173	C163	186	C173	182	C183	190	C193	188	C203	186
C144	186	C154	182	C164	186	C174	184	C184	190	C194	191	C204	184
C145	172	C155	184	C165	182	C175	184	C185	184	C195	194	C205	186
C146	186	C156	186	C166	184	C176	182	C186	184	C196	176	C206	186
C147	261	C157	186	C167	186	C177	187	C187	194	C197	181	C207	186
C148	182	C158	186	C168	184	C178	194	C188	187	C198	186	C208	184
C149	172	C159	184	C169	189	C179	190	C189	186	C199	187	C209	182
C150	261	C160	182	C170	192	C180	184	C190	184	C200	184	C210	191

CAPACITOR

SYMBOL NO.	INDEX NO.	SYMBOL NO.	INDEX NO.	SYMBOL NO.	INDEX NO.	SYMBOL NO.	INDEX NO.	SYMBOL NO.	INDEX NO.	SYMBOL NO.	INDEX NO.	SYMBOL NO.	INDEX NO.
C211	190	C221	187	C231	184	C241	173	C251	184	C261	184	C271	194
C212	184	C222	187	C232	190	C242	184	---	---	---	---	C272	187
C213	194	C223	194	C233	187	---	---	---	---	C263	190	C273	186
C214	184	C224	184	---	---	---	---	---	---	C264	190	C274	191
C215	186	C225	194	---	---	---	---	C255	186	C265	184	C275	187
---	---	C226	184	C236	194	C246	175	C256	190	---	---	C276	186
---	---	C227	190	C237	184	C247	186	C257	187	C267	186	C277	194
C218	187	C228	182	C238	190	C248	187	C258	184	C268	190	C278	194
C219	182	C229	186	C239	182	C249	194	C259	165	C269	184	C279	194
C220	184	C230	184	C240	186	C250	191	C260	194	C270	194	C280	194

36.Printer Control Board (G106)

CAPACITOR

SYMBOL NO.	INDEX NO.	SYMBOL NO.	INDEX NO.	SYMBOL NO.	INDEX NO.	SYMBOL NO.	INDEX NO.	SYMBOL NO.	INDEX NO.	SYMBOL NO.	INDEX NO.	SYMBOL NO.	INDEX NO.
C281	190	C291	191	C301	186	C311	194	C321	191	C331	186	C341	186
C282	184	---	---	C302	186	C312	184	C322	186	C332	186	C342	184
C283	186	---	---	C303	191	C313	186	C323	192	C333	186	C343	186
C284	186	---	---	C304	194	C314	186	C324	193	C334	186	C344	184
C285	194	---	---	C305	190	C315	191	C325	191	C335	186	C345	191
C286	184	---	---	C306	192	C316	187	C326	186	C336	177	C346	184
C287	190	C297	184	C307	186	C317	194	C327	194	C337	183	C347	195
C288	187	C298	186	C308	191	C318	186	C328	186	C338	186	C348	186
C289	187	C299	192	C309	190	C319	187	C329	184	C339	173	C349	184
C290	191	C300	191	C310	184	C320	194	C330	186	C340	186	C350	186

CAPACITOR

SYMBOL NO.	INDEX NO.	SYMBOL NO.	INDEX NO.	SYMBOL NO.	INDEX NO.	SYMBOL NO.	INDEX NO.	SYMBOL NO.	INDEX NO.	SYMBOL NO.	INDEX NO.	SYMBOL NO.	INDEX NO.
C351	184	C361	186	C371	193	C381	183	C391	184	C401	186	---	---
C352	184	C362	186	C372	186	C382	186	C392	183	C402	186	C412	187
C353	186	C363	184	C373	186	C383	175	C393	186	C403	186	C413	187
C354	186	C364	186	C374	173	C384	186	C394	186	C404	186	C414	187
C355	183	C365	186	C375	175	C385	186	C395	186	C405	186	C415	186
C356	186	C366	195	C376	184	C386	186	C396	186	C406	186	C416	186
C357	177	C367	175	C377	186	C387	177	C397	186	C407	186	C417	186
C358	186	C368	186	C378	186	C388	175	C398	186	C408	186	---	---
C359	173	C369	193	C379	186	C389	184	C399	186	C409	186	C419	186
C360	186	C370	193	C380	177	C390	184	C400	186	---	---	C420	186

36.Printer Control Board (G106)

CAPACITOR

SYMBOL NO.	INDEX NO.
C421	186
C422	173
C423	170
C424	184
C425	186
---	---
---	---
---	---
---	---
---	---

SYMBOL NO.	INDEX NO.
C431	186
C432	186
C433	186
C434	186
C435	186
---	---
C436	186
C437	186
C438	186
C439	186
C440	186

SYMBOL NO.	INDEX NO.
C441	186
C442	186
C443	186
C444	186
C445	186
---	---
C446	186
C447	186
C448	186
C449	186
C450	186

SYMBOL NO.	INDEX NO.
C451	186
C452	186
C453	186
C454	186
C455	186
---	---
C456	186
C457	186
C458	186
C459	186
C460	186

SYMBOL NO.	INDEX NO.
C501	184
C502	186
---	---
---	---
---	---
---	---
C4418	186

CONNECTOR

SYMBOL NO.	INDEX NO.
CN101	111
CN102	105
---	---
---	---
CN105	107
---	---
---	---
---	---
CN109	110
CN110	110

SYMBOL NO.	INDEX NO.
CN111	110
---	---
CN113	112
CN114	101
CN115	108
---	---
CN116	106
---	---
---	---
---	---
CN120	104

CONNECTOR

SYMBOL NO.	INDEX NO.
CN121	103
CN122	102
---	---
---	---
---	---
---	---
---	---
---	---
CN130	109

DIODE

SYMBOL NO.	INDEX NO.
D1	121
D2	121
D3	122
D4	122
D5	120
---	---
D6	120
---	---
---	---
D9	122

FILTER

SYMBOL NO.	INDEX NO.
FIL1	196
FIL2	196
FIL3	196
FIL4	200
FIL5	196
---	---
FIL6	196
FIL7	196
FIL8	200
FIL9	196
FIL10	196

SYMBOL NO.	INDEX NO.
FIL11	200
FIL12	200
FIL13	200
FIL14	200
FIL15	200
---	---
FIL16	196
FIL17	199
FIL18	197
FIL19	197
FIL20	196

SYMBOL NO.	INDEX NO.
FIL21	200
FIL22	196
FIL23	196
FIL24	196
FIL25	196
---	---
FIL26	200
FIL27	196
FIL28	196
FIL29	196

FUSE

SYMBOL NO.	INDEX NO.
FU1	115

IC

SYMBOL NO.	INDEX NO.
IC1	134
IC2	128
IC3	127
IC4	137
IC5	141
---	---
IC6	129
IC7	263
IC8	132
IC9	263
IC10	124

36.Printer Control Board (G106)

IC

SYMBOL NO.	INDEX NO.
IC11	263
---	---
IC13	2
---	---
IC15	262
IC16	263
IC17	131
---	---
IC19	114
IC20	113

SYMBOL NO.	INDEX NO.
IC21	135
IC22	142
IC23	130
IC24	1
---	---
IC26	126
IC27	125
IC28	140
IC29	139
IC30	136

SYMBOL NO.	INDEX NO.
IC31	140
IC32	149
IC33	145
IC34	150
IC35	148
IC36	133
IC37	138
IC38	146
IC39	140
IC40	143

SYMBOL NO.	INDEX NO.
IC41	148
IC42	140

JP

SYMBOL NO.	INDEX NO.
JP1	216
JP2	216
JP3	254
JP4	254
JP5	254
JP6	254
JP7	217
JP8	217
JP9	217
JP10	217

SYMBOL NO.	INDEX NO.
JP11	217
JP12	254
JP13	216
JP14	216
JP15	217
JP16	217
JP17	217
JP18	217
JP19	217
JP20	216

SYMBOL NO.	INDEX NO.
JP21	216
JP22	216
JP23	216
JP24	216
JP25	254
JP26	254
JP27	254
JP28	254
JP29	254
JP30	254

JP

SYMBOL NO.	INDEX NO.
JP31	254
JP32	254
JP33	254
JP34	254
JP35	254
JP36	254
JP37	217
JP38	217
JP39	217
JP40	217

SYMBOL NO.	INDEX NO.
JP61	254
---	---
---	---
---	---
---	---
---	---
---	---
JP68	254
---	---
---	---
---	---

SYMBOL NO.	INDEX NO.
---	---
JP72	254
---	---
JP84	254
JP85	254
---	---
JP87	254
---	---
---	---
---	---

SYMBOL NO.	INDEX NO.
---	---
---	---
---	---
---	---
---	---
JP117	254
---	---
---	---
---	---

SYMBOL NO.	INDEX NO.
JP121	254
---	---
---	---
JP124	254
JP125	254
---	---
---	---
---	---
---	---

SYMBOL NO.	INDEX NO.
---	---
---	---
JP143	254
JP144	254
---	---
---	---
---	---
JP148	254
JP149	254
JP250	254

SYMBOL NO.	INDEX NO.
---	---
JP302	254
---	---
---	---
JP305	254
---	---
---	---
---	---
---	---

36.Printer Control Board (G106)

JP

SYMBOL NO.	INDEX NO.
---	---
---	---
---	---
---	---
---	---
JP316	254
---	---
JP339	254
---	---

LED

SYMBOL NO.	INDEX NO.
JP401	254

SYMBOL NO.	INDEX NO.
LED1	123
LED2	123

OSC

SYMBOL NO.	INDEX NO.
OSC1	154
OSC2	153
---	---
OSC4	155
OSC5	156

Q

SYMBOL NO.	INDEX NO.
Q1	119
Q2	119
Q3	118

RESISTOR

SYMBOL NO.	INDEX NO.
R1	239
---	---
---	---
---	---
---	---
---	---
---	---
R8	239
R9	238
R10	238

SYMBOL NO.	INDEX NO.
R11	238
R12	226
R13	238
R14	238
---	---
---	---
---	---
---	---
---	---
---	---

L

SYMBOL NO.	INDEX NO.
L1	198
L2	203
L3	201

RESISTOR

SYMBOL NO.	INDEX NO.
R21	239
R22	226
R23	238
R24	226
R25	226
---	---
R26	227
R27	249
R28	226
R29	227
R30	227

SYMBOL NO.	INDEX NO.
R31	249
R32	248
---	---
R34	221
R35	227
---	---
R37	221
R38	215
R39	211
R40	212

SYMBOL NO.	INDEX NO.
R41	214
R42	239
R43	213
R44	239
R45	239
---	---
R46	239
R47	239
R48	237
R49	226
R50	214

SYMBOL NO.	INDEX NO.
R51	239
R52	239
R53	239
R54	239
R55	238
---	---
R56	214
R57	251
R58	232
R59	226
R60	214

SYMBOL NO.	INDEX NO.
---	---
R62	251
---	---
R64	245
R65	245
---	---
R66	234
R67	225
---	---
R69	225
R70	245

SYMBOL NO.	INDEX NO.
R71	245
---	---
R73	234
R74	225
R75	245
---	---
R76	225
R77	245
R78	245
R79	234
R80	225

SYMBOL NO.	INDEX NO.
R81	225
R82	238
R83	238
---	---
---	---
---	---
---	---
R88	248
R89	239
R90	248

36.Printer Control Board (G106)

RESISTOR

SYMBOL NO.	INDEX NO.	SYMBOL NO.	INDEX NO.	SYMBOL NO.	INDEX NO.	SYMBOL NO.	INDEX NO.	SYMBOL NO.	INDEX NO.	SYMBOL NO.	INDEX NO.	SYMBOL NO.	INDEX NO.
R91	248	R101	248	R111	248	---	---	R131	233	---	---	---	---
R92	227	R102	248	R112	248	R122	220	R132	233	R142	220	---	---
R93	248	R103	248	R113	248	R123	220	R133	233	---	---	---	---
R94	248	R104	248	R114	248	---	---	R134	233	---	---	R154	241
R95	248	R105	248	R115	248	---	---	R135	233	R145	220	R155	233
R96	248	R106	248	R116	220	R126	220	R136	233	R146	222	R156	241
R97	248	R107	248	---	---	R127	233	R137	233	R147	222	---	---
R98	248	R108	248	R118	220	R128	233	R138	233	---	---	R158	241
R99	248	R109	248	R119	220	R129	233	---	---	---	---	R159	238
R100	248	R110	248	R120	220	R130	233	---	---	R150	222	---	---

RESISTOR

SYMBOL NO.	INDEX NO.	SYMBOL NO.	INDEX NO.	SYMBOL NO.	INDEX NO.	SYMBOL NO.	INDEX NO.	SYMBOL NO.	INDEX NO.	SYMBOL NO.	INDEX NO.	SYMBOL NO.	INDEX NO.
---	---	R171	227	R181	241	R191	223	R201	223	R211	235	R221	226
R162	227	R172	227	R182	239	R192	253	R202	258	R212	238	R222	227
---	---	R173	239	R183	239	R193	223	R203	257	R213	226	R223	242
---	---	R174	239	R184	238	R194	228	---	---	R214	238	R224	227
R165	227	R175	241	R185	252	R195	253	R205	224	R215	239	R225	243
---	---	R176	246	R186	223	R196	240	R206	236	R216	239	R226	242
---	---	R177	239	R187	239	R197	255	---	---	R217	238	R227	243
---	---	R178	246	R188	223	R198	258	R208	227	R218	238	R228	243
R169	227	R179	227	R189	238	R199	223	R209	231	R219	238	---	---
R170	227	R180	238	R190	252	R200	223	R210	235	R220	238	R230	239

36.Printer Control Board (G106)

RESISTOR

SYMBOL NO.	INDEX NO.	SYMBOL NO.	INDEX NO.	SYMBOL NO.	INDEX NO.	SYMBOL NO.	INDEX NO.	SYMBOL NO.	INDEX NO.	SYMBOL NO.	INDEX NO.	SYMBOL NO.	INDEX NO.
R231	243	R241	241	R251	245	R261	245	---	---	---	---	R291	248
R232	250	R242	250	R252	245	---	---	R272	233	R282	238	R292	248
R233	250	R243	250	R253	250	R263	233	R273	241	R283	248	R293	248
R234	250	R244	250	R254	245	---	---	---	---	R284	248	R294	241
R235	250	R245	241	R255	250	R265	227	R275	227	R285	248	---	---
R236	241	R246	227	R256	239	R266	238	R276	227	---	---	---	---
R237	248	R247	248	R257	247	R267	238	R277	248	---	---	R297	248
R238	248	R248	250	R258	227	R268	238	---	---	---	---	R298	248
R239	239	R249	239	R259	245	R269	238	---	---	R289	248	R299	227
R240	248	R250	245	R260	238	R270	241	---	---	---	---	R300	241

RESISTOR

SYMBOL NO.	INDEX NO.	SYMBOL NO.	INDEX NO.	SYMBOL NO.	INDEX NO.	SYMBOL NO.	INDEX NO.	SYMBOL NO.	INDEX NO.	SYMBOL NO.	INDEX NO.	SYMBOL NO.	INDEX NO.
R301	248	R311	241	R321	220	R331	238	R341	227	R351	244	R361	239
---	---	R312	239	---	---	R332	225	R342	227	R352	244	R362	233
---	---	R313	239	---	---	R333	222	R343	227	R353	244	R363	233
---	---	R314	241	R324	227	R334	227	R344	227	R354	257	R364	227
---	---	R315	227	R325	227	R335	227	R345	227	---	---	R365	227
R306	241	---	---	R326	227	R336	227	R346	227	R356	244	R366	241
R307	225	---	---	R327	227	R337	227	R347	227	R357	241	R367	241
R308	229	R318	227	R328	227	---	---	R348	244	R358	233	R368	225
R309	229	R319	238	R329	227	---	---	---	---	R359	230	R369	233
R310	238	R320	227	R330	227	R340	227	---	---	R360	241	R370	233

36.Printer Control Board (G106)

RESISTOR

SYMBOL NO.	INDEX NO.
R371	233
R372	227
R373	225
R374	238
R375	230
R376	238
R377	227
R378	256
R379	238
R380	238

SYMBOL NO.	INDEX NO.
R381	227
R382	238
R383	233
R384	241
R385	241
R386	227
R387	233
R388	225
R389	225
R390	219

SYMBOL NO.	INDEX NO.
R391	219
R392	219
R393	219
R394	225
R395	225
R396	225
---	---
R398	238
R399	233
R400	248

SYMBOL NO.	INDEX NO.
---	---
---	---
R403	239
---	---
---	---
---	---
---	---
R1229	239

REG

SYMBOL NO.	INDEX NO.
REG1	152
REG2	152
REG3	151
REG4	144
REG5	147

RN

SYMBOL NO.	INDEX NO.
RN1	204
RN2	204
---	---
RN4	208
RN5	204
RN6	159
RN7	208
RN8	210
RN9	163
RN10	204

SYMBOL NO.	INDEX NO.
RN11	210
RN12	209
RN13	209
RN14	209
RN15	209
RN16	210
RN17	204
RN18	204
RN19	204
RN20	210

RN

SYMBOL NO.	INDEX NO.
RN21	208
RN22	209
RN23	206
RN24	204
RN25	204
---	---
RN27	161
RN28	204
RN29	204
RN30	206

SYMBOL NO.	INDEX NO.
RN31	206
RN32	206
RN33	206
RN34	206
RN35	206
RN36	206
RN37	206
RN38	206
RN39	162
RN40	162

SYMBOL NO.	INDEX NO.
RN41	162
RN42	162
RN43	162
RN44	162
RN45	162
RN46	162
RN47	157
RN48	204
RN49	204
RN50	162

SYMBOL NO.	INDEX NO.
RN51	162
RN52	204
RN53	162
RN54	162
RN55	162
RN56	162
RN57	158
RN58	162
RN59	160
RN60	205

SYMBOL NO.	INDEX NO.
RN61	207
RN62	157
RN63	157
RN64	157
RN65	162
RN66	162
RN67	205
---	---
RN69	205
---	---

SYMBOL NO.	INDEX NO.
RN71	206
RN72	205
RN73	162
RN74	162
RN75	162

SW

SYMBOL NO.	INDEX NO.
SW1	116
SW2	117

T

SYMBOL NO.	INDEX NO.
T1	202

36.Printer Control Board (G106)

Index No.	Part No.	Description	Q'ty Per Assembly
*	G106 5731	PCB Type-JC Ass'y	1
1	B101 5801	IC - ASIC CYMBALS	1
2	B101 5805	IC - ASIC CLARINET	1

Index No.	Part No.	Description	Q'ty Per Assembly
101	1102 5303	Connector - 4P	
102	1102 5304	Connector - 5P	
103	1102 7389	Connector - FH12-50S-0.5SV	
104	1102 7615	Connector - B8B-XH-A	
105	1102 8189	DIMM Connector - 54534-1440	
106	1102 8508	Connector - USB UBB-4R-D10T-1	
107	1102 9079	Connector - RHM-88PL-SDK11-1	
108	1102 9091	Connector - 406549-1	
109	1102 9113	Connector - 1-353297-0	
110	1102 9336	Connector:FPS009-2300-0	
111	1102 9535	Connector - 200PS-JUK-G-B	
112	1102 9689	Connector 2-440091-4	
113	1104 0588	DIP Socket - 28p	
114	1104 0589	DIP Socket - 32p	
115	1107 0998	Fuse - TR5T 382/5A	
116	1204 1385	Push Switch	
117	1204 2637	DIP Switch - 71D-04	
118	1401 1136	FET - HAT1020R	
119	1401 1209	IC - HAT2093R	
120	1402 1265	Diode - RB411D	
121	1402 1343	Diode - RB106L-40	
122	1402 1547	Diode - RB491D	
123	1403 0978	LED - SML-310DT	
124	1407 5300	CMOS Logic - 74LVC16244A TSSOP	
125	1407 5320	CMOS Logic 74LVC374A TSSOP	
126	1407 5321	CMOS Logic - 74LVCH16374A TSSOP	
127	1407 5353	IC - SN74LV244APW	
128	1407 5364	IC - SN74AHCT244PW	
129	1407 5483	IC - SN74AHC1G125DCK	
130	1407 5523	ROM - I2C SOP 3V	
131	1407 5528	IC - SN74LVC126APW	
132	1407 5604	IC - SN74LVC16245ADGG	
133	1407 5712	IC:SN74LV07ANS	
134	1407 5713	IC:SN74LV06APW	
135	1407 5717	IC - ICS960001AF	

Index No.	Part No.	Description	Q'ty Per Assembly
136	1407 5733	IC:SN74ALVC244PW	
137	1407 5772	IC - SN74AHC2G32HDCT	
138	1407 5868	Ethernet Cont LSI - DP83847ALQA56A	
139	1407 6062	USB2.0 - KL5BUDV003CCFP	
140	1407 6101	IC - SN74LVC2G17DCK	
141	1407 6131	IC - SN74AHCT1G125DCK	
142	1407 6135	CPU - RM7065C-600R-REV1.1	
143	1407 6187	CMOS Logic - SN74LVC1G07DCK	
144	1408 1668	IC - REGULATOR-R1170H251B	
145	1408 1750	IC - R3112Q231A	
146	1408 1778	IC:R3112Q101A	
147	1408 1782	Series Regulator - RN5RZ36B-FA	
148	1408 1790	IC - R3112Q301A	
149	1408 1815	IC - R3112Q151A	
150	1408 1826	IC - R3112Q421A	
151	1408 1850	Regulator - R1170H181B	
152	1408 1945	IC - SI-85	
153	1503 0842	Oscillator - 14.31818MHZ	
154	1503 0935	Oscillator - 25MHZ	
155	1503 1138	Crystal Oscilator - 48MHZ	
156	1503 1202	Crystal Oscilator - 25MHZ	
157	1601 7751	Resistor - 4.7K Ω \pm 5%	
158	1601 7752	Resistor Array - 10K Ω \pm 5%	
159	1601 7759	Resistor Array - 100K Ω \pm 5% 0.06	
160	1601 7898	Resistor Array	
161	1601 7900	Resistor Array - 0 Ω \pm 5%	
162	1601 7913	Resistor 22 Ω \pm 5% 1/32W	
163	1601 7914	Resistor Array - 47 Ω \pm 5%	
164	1604 4526	Capacitor - 3.3 μ F \pm 20% 20V	
165	1604 4687	Capacitor - 100 μ F \pm 20% 6.3V	
166	1604 4918	Capacitor - 150 μ F \pm 20% 6.3V	
167	1604 4932	Capacitor - 100 μ F \pm 20% 25V	
168	1604 4992	Capacitor - 100 μ F \pm 20% 10V	
169	1604 5187	Capacitor - 10 μ F \pm 20% 16V	
170	1605 0976	Capacitor - 1 μ F+80% -20% 10V	

Index No.	Part No.	Description	Q'ty Per Assembly
171	1605 1025	Capacitor - 1000pF \pm 10% 2KV	
172	1605 1081	Capacitor - 10 μ F+80-20% 25V	
173	1605 1124	Capacitor - 4.7 μ F+80 -20% 10V	
174	1605 1197	Capacitor - 6PF \pm 0.5pF 50V	
175	1605 1200	Capacitor - 10PF \pm 0.5pF 50V	
176	1605 1202	Capacitor - 15pF \pm 5% 50V	
177	1605 1205	Capacitor - 33pF \pm 5% 50V	
178	1605 1206	Capacitor - 47pF \pm 5% 50V	
179	1605 1207	Capacitor - 68pF \pm 5% 50V	
180	1605 1208	Capacitor:100pF: \pm 5%:50V	
181	1605 1209	Capacitor - 150pF \pm 5% 50V	
182	1605 1211	Capacitor - 220pF \pm 10% 50V	
183	1605 1212	Capacitor - 470pF \pm 10% 50V	
184	1605 1214	Capacitor - 1000pF \pm 10% 50V	
185	1605 1216	Capacitor - 2200pF \pm 10%:50V	
186	1605 1221	Capacitor - 0.1 UF+80-20%16V	
187	1605 1241	Capacitor - 4.7 μ F \pm 10% 25V	
188	1605 1282	Capacitor:22uf:+80-20%:10V	
189	1605 1285	Capacitor - 3300pF \pm 10% 50V	
190	1605 1288	Capacitor - 220pF \pm 5% 50V	
191	1605 1295	Capacitor:10uf:+80-20%:10v	
192	1605 1296	Capacitor - 330pF \pm 10% 50V	
193	1605 1302	Capacitor 0.033 μ F \pm 10% 10V	
194	1605 1303	Capacitor - 0.01 μ F+80-20% 50V	
195	1605 1358	Capacitor - 10 μ F \pm 10% 10V	
196	1607 1014	EMI Filter - BLM11P600SPB	
197	1607 1051	Filter -FBMJ2125HS420	
198	1607 1228	Inductor - SLF7045-4R7M2R0	
199	1607 1285	Filter NFM2012P13C105F	
200	1607 1351	Filter BLM21PG221SN1B	
201	1607 1362	Coil - ACM3225-800-2P	
202	1607 1509	Transformer - TLA-6T118IF	
203	1607 1549	Inductor - RLF12545-100M5R1	
204	1609 0005	Registor:33 Ω : \pm 5%:1/16W	
205	1609 0006	Registor:10k Ω : \pm 5%:1/16W	

Index No.	Part No.	Description	Q'ty Per Assembly
206	1609 0007	Resistor - 68Ω ±5% 1/16W	
207	1609 0008	Resistor:4.7k Ω:±5%:1/16W	
208	1609 0025	Resistor - 100Ω ±5% 1/16W	
209	1609 0026	Resistor - 47Ω ±5% 1/16W	
210	1609 0027	Resistor - 100KΩ±5% 1/16W	
211	1610 1485	Resistor - 1.2K Ω ±0.5% 1/16W	
212	1610 1486	Resistor - 2KΩ ±0.5% 1/16W	
213	1610 1506	Resistor - 1K Ω ±0.5% 1/16W	
214	1610 1630	Resistor - 0.05 Ω ±5% 1/2W	
215	1610 1740	Resistor - 220 Ω ±0.5% 1/16W	
216	1633 0000	Resistor - 0 Ω 1/10W	
217	1634 0000	Resistor - 0 Ω 1/16W	
218	1644 1101	Resistor - 100μF±20%:16V	
219	1650 3750	Resistor - 75Ω ±5% 1/8W	
220	1650 4150	Resistor - 15Ω ±5% 1/10W	
221	1650 4200	Resistor - 20Ω ±5% 1/10W	
222	1650 4270	Resistor 27Ω ±5% 1/10W	
223	1650 4330	Chip Resistor - 33Ω ±5% 1/10W	
224	1650 5100	Chip Resistor - 10 Ω±5%1/16W	
225	1650 5101	Chip Resistor - 100 Ω±5%1/16W	
226	1650 5102	Chip Resistor - 1kΩ±5%1/16W	
227	1650 5103	Chip Resistor - 10kΩ±5%1/16W	
228	1650 5105	Chip Resistor - 1mΩ±5%1/16W	
229	1650 5109	Chip Resistor 1Ω ±5% 1/16W	
230	1650 5122	Chip Resistor - 1.2kΩ±5%1/16W	
231	1650 5153	Chip Resistor - 15kΩ ±5% 1/16W	
232	1650 5154	Chip Resistor - 150kΩ ±5% 1/16W	
233	1650 5220	Resistor - 22Ω ±5% 1/16W	
234	1650 5222	Resistor - 2.2KΩ ±5% 1/16W	
235	1650 5271	Chip Resistor 270Ω ±5% 1/16W	
236	1650 5303	Chip Resistor 30kΩ ±5% 1/16W	
237	1650 5304	Resistor 300kΩ ±5% 1/16W	
238	1650 5330	Chip Resistor - 33Ω±5%1/16W	
239	1650 5470	Chip Resistor 47Ω ±5% 1/16W	
240	1650 5471	Chip Resistor - 470Ω -5% 1/16W	

Index No.	Part No.	Description	Q'ty Per Assembly
241	1650 5472	Chip Resistor:4.7kΩ:±5%:1/16W	
242	1650 5473	Chip Resistor - 47kΩ ±5% 1/16W	
243	1650 5479	Resistor 4.7Ω ±5% 1/16W	
244	1650 5512	Chip Resistor 5.1kΩ ±5% 1/16W	
245	1650 5560	Chip Resistor 56Ω ±5% 1/16W	
246	1650 5561	Chip Resistor 560Ω ±5% 1/16W	
247	1650 5621	Chip Resistor 620Ω ±5% 1/16W	
248	1650 5680	Resistor - 68Ω ±5% 1/16W	
249	1650 5683	Chip Resistor 68kΩ ±5% 1/16W	
250	1650 5822	Chip Resistor:8.2kΩ:±5%:1/16W	
251	1650 5911	Resistor 910Ω ±5% 1/16w	
252	1653 4999	Resistor - 49.9Ω ±1% 1/8W	
253	1653 5499	Resistor - 54.9Ω ±1% 1/8W	
254	1655 0000	Chip Resistor - 0Ω±0%1/16W	
255	1655 1002	Chip Resistor - 10kΩ±1%1/16W	
256	1655 1249	Resistor 12.4Ω ±1% 1/16W	
257	1655 1501	Chip Resistor 1.5kΩ ±1% 1/16W	
258	1655 3909	Resistor 39Ω ±1% 1/16W	
259	1660 2471	Capacitor - 470pF - ±5% - 50V	
260	1660 6103	Capacitor - 10000pF - +80%-20%50V	
261	1660 8104	Capacitor - 0.1μF+80-20% 25V	
262	1906 0075	Flash Memory - MBM29PI64LM90PCN	
263	1907 0013	SDRAM:256M:4MX16x4:133Mhz:G1	

37.BCU Board (G106)

CAPACITOR

SYMBOL NO.	INDEX NO.	SYMBOL NO.	INDEX NO.	SYMBOL NO.	INDEX NO.	SYMBOL NO.	INDEX NO.	SYMBOL NO.	INDEX NO.	SYMBOL NO.	INDEX NO.	SYMBOL NO.	INDEX NO.
---	---	C11	255	C21	255	C31	257	C41	182	---	---	C61	255
C2	256	C12	255	C22	255	C32	255	C42	182	---	---	C62	255
C3	256	C13	255	C23	255	C33	185	C43	186	C53	255	C63	255
C4	179	C14	255	C24	255	C34	185	C44	261	---	---	C64	255
C5	255	C15	255	C25	255	C35	261	C45	261	C55	255	C65	255
---	---	C16	255	C26	255	C36	261	C46	263	---	---	C66	255
C7	255	C17	257	C27	255	C37	185	C47	263	C57	255	C67	257
C8	255	C18	255	C28	255	C38	181	C48	253	C58	255	C68	255
C9	255	C19	255	C29	255	C39	261	---	---	C59	255	C69	255
C10	255	---	---	C30	255	C40	182	---	---	C60	255	---	---

CAPACITOR

SYMBOL NO.	INDEX NO.	SYMBOL NO.	INDEX NO.	SYMBOL NO.	INDEX NO.	SYMBOL NO.	INDEX NO.	SYMBOL NO.	INDEX NO.	SYMBOL NO.	INDEX NO.	SYMBOL NO.	INDEX NO.
C71	255	C81	257	C91	255	C101	263	C111	263	C121	263	---	---
C72	255	C82	255	C92	255	C102	263	C112	263	C122	261	---	---
C73	255	C83	255	C93	255	C103	261	C113	261	C123	263	C133	263
C74	255	C84	255	C94	261	C104	263	---	---	C124	255	C134	263
C75	255	C85	255	C95	184	C105	263	C115	263	C125	255	C135	263
C76	255	C86	255	C96	263	C106	254	C116	261	C126	254	C136	263
C77	255	C87	255	C97	263	C107	254	C117	263	C127	263	C137	261
C78	255	C88	255	C98	261	C108	263	C118	263	C128	263	C138	252
C79	255	C89	255	C99	184	C109	263	C119	261	C129	263	C139	250
C80	255	C90	255	C100	261	C110	263	C120	263	C130	184	C140	187

37.BCU Board (G106)

CAPACITOR

SYMBOL NO.	INDEX NO.	SYMBOL NO.	INDEX NO.	SYMBOL NO.	INDEX NO.	SYMBOL NO.	INDEX NO.	SYMBOL NO.	INDEX NO.	SYMBOL NO.	INDEX NO.	SYMBOL NO.	INDEX NO.
C141	254	C151	263	C161	251	C171	259	C181	261	C191	252	C201	263
C142	255	C152	263	C162	262	C172	259	C182	261	C192	261	C202	263
C143	252	C153	263	C163	262	C173	188	C183	261	C193	254	C203	179
C144	254	C154	255	C164	263	C174	263	C184	261	C194	254	C204	263
C145	180	C155	263	C165	188	C175	263	C185	261	C195	263	C205	260
C146	183	C156	263	C166	263	C176	188	C186	261	C196	263	C206	260
C147	189	C157	255	C167	263	C177	263	C187	261	C197	179	C207	184
C148	189	C158	263	C168	188	C178	249	C188	261	C198	179	C208	256
C149	256	C159	258	C169	259	---	---	---	---	C199	263	C209	256
C150	256	C160	251	C170	259	C180	261	C190	261	C200	263	C210	263

CAPACITOR

SYMBOL NO.	INDEX NO.	SYMBOL NO.	INDEX NO.	SYMBOL NO.	INDEX NO.	SYMBOL NO.	INDEX NO.	SYMBOL NO.	INDEX NO.	SYMBOL NO.	INDEX NO.	SYMBOL NO.	INDEX NO.
C211	261	C221	261	C231	261	C241	261	C251	261	C261	256	C271	261
C212	261	C222	261	---	---	C242	263	C252	261	C262	263	C272	261
C213	256	C223	261	C233	261	C243	256	C253	261	C263	261	---	---
C214	256	C224	261	---	---	C244	261	C254	261	C264	261	C274	261
C215	256	C225	261	C235	261	C245	261	C255	263	C265	261	C275	258
---	---	C226	261	C236	261	C246	261	C256	256	C266	261	C276	263
---	---	C227	256	C237	261	C247	261	C257	263	C267	261	C277	261
C218	261	C228	261	C238	261	C248	261	C258	256	C268	261	C278	261
C219	261	C229	261	C239	261	C249	261	C259	263	C269	261	C279	256
C220	261	C230	261	---	---	C250	261	C260	256	C270	261	C280	263

37.BCU Board (G106)

CAPACITOR

SYMBOL NO.	INDEX NO.	SYMBOL NO.	INDEX NO.	SYMBOL NO.	INDEX NO.	SYMBOL NO.	INDEX NO.	SYMBOL NO.	INDEX NO.	SYMBOL NO.	INDEX NO.	SYMBOL NO.	INDEX NO.
C281	256	---	---	C301	258	C311	258	C321	263	C331	256	C341	263
C282	263	C292	263	C302	263	C312	258	---	---	C332	256	C342	262
C283	263	C293	263	C303	258	C313	263	---	---	C333	263	C343	263
C284	256	C294	263	C304	256	C314	263	C324	263	C334	255	C344	263
C285	256	C295	256	C305	256	C315	263	C325	256	C335	263	C345	263
C286	263	C296	263	C306	256	C316	263	C326	263	C336	263	C346	263
C287	256	C297	263	C307	256	C317	258	C327	263	C337	261	C347	261
C288	263	C298	263	C308	188	C318	256	C328	256	C338	263	C348	263
---	---	C299	258	C309	263	C319	263	C329	263	C339	261	C349	261
---	---	C300	263	C310	263	C320	263	C330	256	C340	261	C350	261

CAPACITOR

SYMBOL NO.	INDEX NO.	SYMBOL NO.	INDEX NO.	SYMBOL NO.	INDEX NO.	SYMBOL NO.	INDEX NO.	SYMBOL NO.	INDEX NO.	SYMBOL NO.	INDEX NO.	SYMBOL NO.	INDEX NO.
C351	263	C361	263	C371	263	---	---	---	---	C411	256	C421	256
C352	263	C362	258	C372	261	C382	263	C402	190	C412	256	C422	256
C353	261	---	---	C373	256	C383	261	C403	179	C413	256	C423	256
---	---	C364	263	C374	263	C384	190	C404	256	C414	256	C424	256
---	---	C365	263	C375	263	C385	190	C405	256	C415	256	C425	256
C356	263	C366	263	C376	256	C386	255	---	---	C416	256	C426	256
C357	263	C367	263	C377	263	C387	263	C407	256	---	---	C427	256
C358	258	C368	263	C378	263	---	---	C408	256	C418	256	C428	263
C359	258	C369	263	C379	256	---	---	C409	256	C419	256	C429	263
---	---	C370	261	C380	261	---	---	C410	256	C420	256	C430	263

37.BCU Board (G106)

CAPACITOR

SYMBOL NO.	INDEX NO.
C431	263
C432	263
C433	256
C434	256
C435	256
C436	256
C437	191
---	---
---	---
C500	193

CONNECTOR

SYMBOL NO.	INDEX NO.
C501	193
C502	193
C503	193
C504	193
C505	192
C506	192
C507	192

SYMBOL NO.	INDEX NO.
CN201	109
CN202	107
CN203	108
CN204	115
CN205	112
CN206	113
CN207	110
CN208	116
CN209	117
CN210	112

SYMBOL NO.	INDEX NO.
CN211	108
CN212	117
CN213	111
CN214	102
CN215	108
CN216	107
CN217	117
CN218	111
CN219	103
CN220	114

SYMBOL NO.	INDEX NO.
CN221	106
CN222	106
CN223	106
CN224	106
CN225	118
---	---
---	---
CN228	109
CN229	105
CN230	104

CONNECTOR

SYMBOL NO.	INDEX NO.
CN231	102

DAIODE

SYMBOL NO.	INDEX NO.
D1	131
---	---
---	---
D4	131

DA

SYMBOL NO.	INDEX NO.
DA1	128
DA2	128
DA3	129
DA4	130
DA5	130
DA6	129
DA7	128
DA8	129
DA9	128
DA10	128

DA

SYMBOL NO.	INDEX NO.
DA11	130
DA12	130
DA13	128
DA14	128
DA15	128

FILTER

SYMBOL NO.	INDEX NO.
FIL1	178
FIL2	194
FIL3	194
FIL4	196
FIL5	197
FIL6	196
FIL7	197
FIL8	196
FIL9	197
FIL10	196

SYMBOL NO.	INDEX NO.
FIL11	197
FIL12	195
FIL13	195
FIL14	194
FIL15	194
FIL16	194
FIL17	194
FIL18	194
FIL19	195
FIL20	198

SYMBOL NO.	INDEX NO.
FIL21	198
FIL22	198
FIL23	198
FIL24	198
FIL25	198
FIL26	198
FIL27	198
FIL28	198
FIL29	198
FIL30	198

SYMBOL NO.	INDEX NO.
FIL31	198
FIL32	198
FIL33	198
FIL34	198
FIL35	198
FIL36	198
FIL37	198
FIL38	198
FIL39	198
FIL40	198

SYMBOL NO.	INDEX NO.
FIL41	198
FIL42	198
FIL43	198
FIL44	198
FIL45	198
FIL46	198
FIL47	198
FIL48	198
FIL49	198
FIL50	198

SYMBOL NO.	INDEX NO.
FIL51	198

FUSE

SYMBOL NO.	INDEX NO.
FU1	120
FU2	121
FU3	122

37.BCU Board (G106)

IC

SYMBOL NO.	INDEX NO.	SYMBOL NO.	INDEX NO.	SYMBOL NO.	INDEX NO.	SYMBOL NO.	INDEX NO.	SYMBOL NO.	INDEX NO.	SYMBOL NO.	INDEX NO.	SYMBOL NO.	INDEX NO.
IC1	140	IC11	152	IC21	4	IC31	150	IC41	165	IC51	144	IC61	163
IC2	139	IC12	152	IC22	154	IC32	148	IC42	166	IC52	148	IC62	140
IC3	147	IC13	152	IC23	155	IC33	138	IC43	163	IC53	140	IC63	140
IC4	152	IC14	152	IC24	148	IC34	146	IC44	161	IC54	264	IC64	140
IC5	152	IC15	158	---	---	IC35	154	IC45	154	IC55	264	---	---
IC6	152	IC16	151	IC26	3	IC36	119	IC46	145	IC56	157	IC66	140
IC7	140	IC17	158	---	---	IC37	149	IC47	2	IC57	157	---	---
IC8	139	IC18	140	IC28	151	IC38	150	IC48	1	IC58	157	---	---
IC9	150	IC19	158	IC29	151	IC39	150	IC49	142	IC59	160	---	---
IC10	142	IC20	158	IC30	149	IC40	156	IC50	148	IC60	159	IC70	143

IC

SYMBOL NO.	INDEX NO.
IC71	153

JP

SYMBOL NO.	INDEX NO.
JP2	210
---	---
JP4	210
---	---
---	---
---	---
---	---
JP9	210
---	---

SYMBOL NO.	INDEX NO.
---	---
---	---
---	---
JP14	210
JP15	210
---	---
JP16	209
---	---
---	---
JP18	210
JP19	210
JP20	210

SYMBOL NO.	INDEX NO.
JP21	210
JP22	210
---	---
---	---
---	---
---	---
---	---
---	---
---	---
---	---

SYMBOL NO.	INDEX NO.
---	---
JP32	210
JP33	210
---	---
JP35	210
JP36	210
JP37	210
---	---
---	---
---	---
JP41	210

SYMBOL NO.	INDEX NO.
JP42	210
JP43	210

LED

SYMBOL NO.	INDEX NO.
LED1	136
LED2	135
LED3	134

37.BCU Board (G106)

OSC

SYMBOL NO.	INDEX NO.	SYMBOL NO.	INDEX NO.	SYMBOL NO.	INDEX NO.	SYMBOL NO.	INDEX NO.	SYMBOL NO.	INDEX NO.	SYMBOL NO.	INDEX NO.
OSC1	168	Q1	162	Q11	141	Q21	124	Q31	125	R1	216
OSC2	167	Q2	162	Q12	141	Q22	124	Q32	125	R2	215
OSC3	168	Q3	124	Q13	141	Q23	126			R3	248
OSC4	171	Q4	124	Q14	141	Q24	124			R4	215
OSC5	170	Q5	127	Q15	137	---	---			R5	248
OSC6	169	Q6	127	Q16	141	---	---			R6	215
		Q7	127	Q17	137	---	---			R7	216
		Q8	126	Q18	124	---	---			---	---
		Q9	126	Q19	124	---	---			---	---
		Q10	141	Q20	124	---	---			R10	216
										R11	214
										R12	216
										R13	237
										R14	217
										R15	216
										R16	216
										R17	236
										R18	216
										R19	218
										R20	216

RESISTOR

RESISTOR

SYMBOL NO.	INDEX NO.	SYMBOL NO.	INDEX NO.	SYMBOL NO.	INDEX NO.	SYMBOL NO.	INDEX NO.	SYMBOL NO.	INDEX NO.	SYMBOL NO.	INDEX NO.
R21	215	R31	233	R41	229	R51	233	---	---	R71	216
R22	216	---	---	R42	236	R52	233	---	---	R72	233
R23	215	R33	216	R43	216	---	---	R63	236	R73	221
R24	211	---	---	R44	216	R54	233	R64	236	R74	216
R25	216	R35	216	R45	236	---	---	R65	240	R75	231
---	---	R36	243	R46	236	R56	233	R66	216	R76	216
R27	211	R37	232	R47	216	---	---	R67	236	R77	225
R28	211	R38	232	R48	216	---	---	R68	216	R78	233
R29	238	R39	232	R49	236	---	---	R69	216	R79	225
R30	238	R40	217	R50	216	---	---	R70	216	R80	228
										---	---
										R82	228
										R83	228
										R84	228
										R85	228
										R86	228
										R87	228
										R88	214
										R89	216
										R90	214

37.BCU Board (G106)

RESISTOR

SYMBOL NO.	INDEX NO.	SYMBOL NO.	INDEX NO.	SYMBOL NO.	INDEX NO.	SYMBOL NO.	INDEX NO.	SYMBOL NO.	INDEX NO.	SYMBOL NO.	INDEX NO.	SYMBOL NO.	INDEX NO.
R91	217	---	---	R111	233	R121	244	R131	214	R141	242	---	---
R92	216	R102	215	R112	236	R122	242	R132	247	R142	216	R152	216
R93	236	R103	225	R113	236	R123	224	R133	247	---	---	R153	216
R94	236	R104	216	R114	236	R124	224	R134	244	---	---	R154	233
R95	236	R105	216	R115	236	R125	242	R135	216	R145	237	R155	215
R96	216	R106	213	R116	236	R126	247	R136	216	R146	216	R156	216
R97	236	R107	225	R117	216	R127	247	R137	244	R147	212	R157	236
R98	216	R108	213	R118	244	R128	214	R138	242	---	---	---	---
R99	216	R109	236	R119	216	R129	214	R139	224	R149	216	R159	228
R100	236	R110	236	R120	216	R130	214	R140	224	R150	214	R160	236

RESISTOR

SYMBOL NO.	INDEX NO.	SYMBOL NO.	INDEX NO.	SYMBOL NO.	INDEX NO.	SYMBOL NO.	INDEX NO.	SYMBOL NO.	INDEX NO.	SYMBOL NO.	INDEX NO.	SYMBOL NO.	INDEX NO.
R161	236	---	---	R181	216	---	---	---	---	R211	216	R221	241
R162	236	---	---	R182	234	---	---	R202	217	R212	216	R222	233
R163	236	---	---	R183	219	R193	216	R203	239	R213	233	R223	216
R164	236	---	---	R184	216	R194	229	R204	220	R214	241	R224	216
R165	208	---	---	---	---	---	---	R205	215	R215	233	R225	222
---	---	R176	218	---	---	---	---	R206	215	R216	241	R226	222
---	---	R177	216	---	---	---	---	R207	216	R217	215	---	---
---	---	R178	236	R188	215	---	---	R208	216	R218	247	---	---
---	---	R179	216	R189	215	---	---	R209	241	R219	215	R229	233
R170	236	R180	216	---	---	---	---	R210	233	R220	247	R230	233

37.BCU Board (G106)

RESISTOR

SYMBOL NO.	INDEX NO.	SYMBOL NO.	INDEX NO.	SYMBOL NO.	INDEX NO.	SYMBOL NO.	INDEX NO.	SYMBOL NO.	INDEX NO.	SYMBOL NO.	INDEX NO.	SYMBOL NO.	INDEX NO.
R231	215	R241	215	---	---	R261	223	R271	236	R281	214	R291	236
R232	230	---	---	R252	215	R262	216	R272	236	R282	216	R292	216
R233	246	R243	216	R253	215	R263	236	R273	236	R283	236	R293	236
R234	247	R244	216	---	---	R264	227	R274	227	R284	216	R294	216
R235	245	R245	216	---	---	R265	215	R275	223	R285	216	R295	231
R236	215	R246	233	---	---	R266	215	R276	236	R286	216	R296	221
R237	215	R247	233	R257	228	R267	215	R277	216	R287	216	R297	240
R238	215	R248	216	R258	216	R268	216	R278	216	R288	216	R298	243
R239	215	R249	215	R259	236	R269	236	R279	216	R289	233	R299	221
---	---	R250	247	---	---	R270	236	R280	215	R290	233	R300	221

RESISTOR

SYMBOL NO.	INDEX NO.	SYMBOL NO.	INDEX NO.	SYMBOL NO.	INDEX NO.	SYMBOL NO.	INDEX NO.	SYMBOL NO.	INDEX NO.	SYMBOL NO.	INDEX NO.	SYMBOL NO.	INDEX NO.
R301	221	R311	216	---	---	---	---	R341	228	R351	213	R361	214
R302	231	R312	228	R322	217	---	---	R342	217	R352	213	R362	228
R303	231	R313	228	---	---	---	---	R343	216	R353	225	R363	228
R304	216	R314	216	R324	216	R334	233	R344	217	R354	228	R364	239
R305	216	R315	229	---	---	R335	217	R345	216	R355	214	R365	228
R306	216	R316	216	R326	240	R336	216	R346	225	R356	228	R366	229
R307	231	R317	217	R327	243	R337	228	R347	213	R357	228	R367	229
R308	236	R318	216	R328	238	R338	216	R348	216	R358	239	R368	233
R309	216	R319	228	---	---	R339	216	R349	229	R359	228	R369	229
R310	216	R320	216	R330	228	R340	228	R350	225	R360	228	R370	229

37.BCU Board (G106)

RESISTOR

SYMBOL NO.	INDEX NO.	SYMBOL NO.	INDEX NO.	SYMBOL NO.	INDEX NO.	SYMBOL NO.	INDEX NO.	SYMBOL NO.	INDEX NO.	SYMBOL NO.	INDEX NO.	SYMBOL NO.	INDEX NO.
R371	233	R381	233	R391	233	R401	229	R411	233	R421	216	---	---
R372	229	R382	228	R392	239	R402	233	R412	229	---	---	R432	207
R373	233	R383	214	R393	228	R403	233	R413	229	---	---	R433	207
R374	229	R384	228	R394	229	R404	229	R414	218	---	---	R434	235
R375	229	R385	233	R395	229	R405	229	---	---	---	---	R435	226
R376	233	R386	229	R396	228	R406	228	---	---	---	---	R436	227
R377	229	R387	229	R397	214	R407	229	---	---	---	---	R437	207
R378	229	R388	233	R398	233	R408	239	R418	236	R428	215	---	---
R379	233	R389	229	R399	228	R409	233	R419	216	---	---	R439	235
R380	229	R390	228	R400	229	R410	228	R420	216	R430	215	R440	226

RESISTOR

SYMBOL NO.	INDEX NO.	SYMBOL NO.	INDEX NO.	SYMBOL NO.	INDEX NO.	SYMBOL NO.	INDEX NO.	SYMBOL NO.	INDEX NO.	SYMBOL NO.	INDEX NO.	SYMBOL NO.	INDEX NO.
R441	227	---	---	R461	215	R501	215	R511	216	R521	228	R531	215
---	---	R452	233	R462	233	R502	216	---	---	---	---	R532	215
---	---	R453	208	---	---	R503	215	---	---	R523	228	---	---
---	---	R454	208	R464	208	R504	216	---	---	R524	228	---	---
R445	216	---	---	---	---	R505	215	---	---	R525	228	R535	216
R446	215	R456	228	---	---	R506	207	R516	215	R526	228	R536	216
---	---	R457	215	---	---	R507	207	R517	228	R527	228	R537	215
---	---	R458	215	---	---	R508	235	R518	228	R528	228	---	---
---	---	---	---	---	---	R509	226	R519	228	R529	216	---	---
R450	233	---	---	R500	215	R510	227	R520	228	---	---	R600	215

37.BCU Board (G106)

REG

SYMBOL NO.	INDEX NO.
REG1	164
REG2	164
REG3	164

RN

SYMBOL NO.	INDEX NO.
RN1	173
RN2	176
RN3	176
RN4	204
---	---
RN6	173
RN7	176
RN8	204
RN9	204
---	---

SYMBOL NO.	INDEX NO.
---	---
RN12	204
RN13	173
RN14	173
RN15	199
RN16	174
RN17	174
RN18	199
RN19	174
RN20	199

SYMBOL NO.	INDEX NO.
RN21	174
RN22	199
RN23	174
RN24	206
RN25	199
RN26	199
RN27	174
RN28	199
RN29	206
RN30	177

SYMBOL NO.	INDEX NO.
RN31	206
RN32	173
RN33	200
RN34	200
RN35	200
RN36	173
RN37	199
RN38	174
RN39	199
RN40	174

SYMBOL NO.	INDEX NO.
RN41	199
RN42	174
RN43	199
RN44	174
RN45	199
RN46	199
RN47	206
RN48	206
RN49	202
RN50	202

SYMBOL NO.	INDEX NO.
RN51	202
RN52	200
RN53	200
RN54	173
RN55	200
RN56	173
RN57	173
RN58	205
RN59	205
RN60	173

RN

SYMBOL NO.	INDEX NO.
RN61	200
RN62	202
RN63	202
RN64	202
RN65	176
RN66	173
RN67	200
RN68	200
RN69	200
RN70	201

SYMBOL NO.	INDEX NO.
RN71	201
RN72	176
RN73	174
RN74	175
RN75	173
RN76	201
RN77	201
RN78	200
RN79	203
RN80	200

SYMBOL NO.	INDEX NO.
RN81	173
RN82	173
RN83	173
RN84	173
RN85	176
RN86	176
RN87	176
RN88	176
RN89	203
---	---

SYMBOL NO.	INDEX NO.
RN91	173
RN92	203
RN93	203
RN94	200
RN95	173
RN96	200
RN97	200
RN98	176
RN99	173
RN100	173

SYMBOL NO.	INDEX NO.
RN101	176
RN102	173
RN103	176
RN104	173
RN105	173
RN106	173
RN107	174
RN108	176
RN109	177
RN110	200

SYMBOL NO.	INDEX NO.
RN111	174
RN112	174
RN113	199
RN114	199
RN115	199
RN116	172
RN117	174
RN118	174
RN119	174
RN120	176

SYMBOL NO.	INDEX NO.
RN121	174
RN122	174
RN123	174
RN124	174
RN125	174
---	---
RN127	199
RN128	199
RN129	174
RN130	174

37.BCU Board (G106)

RN

SYMBOL NO.	INDEX NO.
RN131	173

SW

SYMBOL NO.	INDEX NO.
SW1	123

ZD

SYMBOL NO.	INDEX NO.
ZD1	132
ZD2	132
ZD3	132
ZD4	133
ZD5	133
ZD6	133
ZD7	133
ZD8	133
ZD9	133
ZD10	133

SYMBOL NO.	INDEX NO.
---	---
ZD12	132

37.BCU Board (G106)

Index No.	Part No.	Description	Q'ty Per Assembly
*	G106 5055	PCB BCU	1
1	A232 5355	IC - GATEX	1
2	G060 5355	IC - S-GATEX	1
3	G060 5791	IC - GAPCI	1
4	G106 5552	IC:DSP:JP3:BCU	1

Index No.	Part No.	Description	Q'ty Per Assembly
102	1102 6295	Connector - 2P	
103	1102 6297	Connector - 4P	
104	1102 7093	Connector - 53375-0610	
105	1102 7094	Connector - 12P	
106	1102 7460	Connector - FH12-50S-0.5SH	
107	1102 8469	Connector - 55447-0510	
108	1102 8473	Connector - 55447-0910	
109	1102 8474	Connector - 5 P	
110	1102 8478	Connector - 55447-1410	
111	1102 8481	Connector - 55447-1760	
112	1102 8487	Connector - 55451-2610	
113	1102 8489	Connector - 55451-3010	
114	1102 8491	Connector - 55451-3410	
115	1102 8492	Connector - 55451-3610	
116	1102 8493	Connector - 55451-3810	
117	1102 8494	Connector - 55451-4010	
118	1102 9606	Connector - 200RS-JUK-GB	
119	1104 0764	IC Socket - 8 PIN	
120	1107 0958	Fuse:434003.NR	
121	1107 0989	Fuse - Ke10	
122	1107 1006	Fuse - Ke40	
123	1204 1422	DIP Switch - 51D-0401	
124	1400 0556	Transistor - DTB143EK	
125	1400 0767	Transistor:DTA114EUA	
126	1400 0810	Transistor:DTC114EUC	
127	1400 0855	Transistor - 2SA1235A	
128	1402 0595	Diode Array - DAN202K	
129	1402 0596	Diode-array - DAP202K	
130	1402 0708	Diode - 1SS272	
131	1402 1336	Diode - 1SS355	
132	1402 1662	Diode:PTZ6.2B	
133	1402 1663	Diode - ZTP12B	
134	1403 0907	Diode - SML-310LT	
135	1403 0953	LED - SML-310MT	
136	1403 1033	LED - SML-310YT	

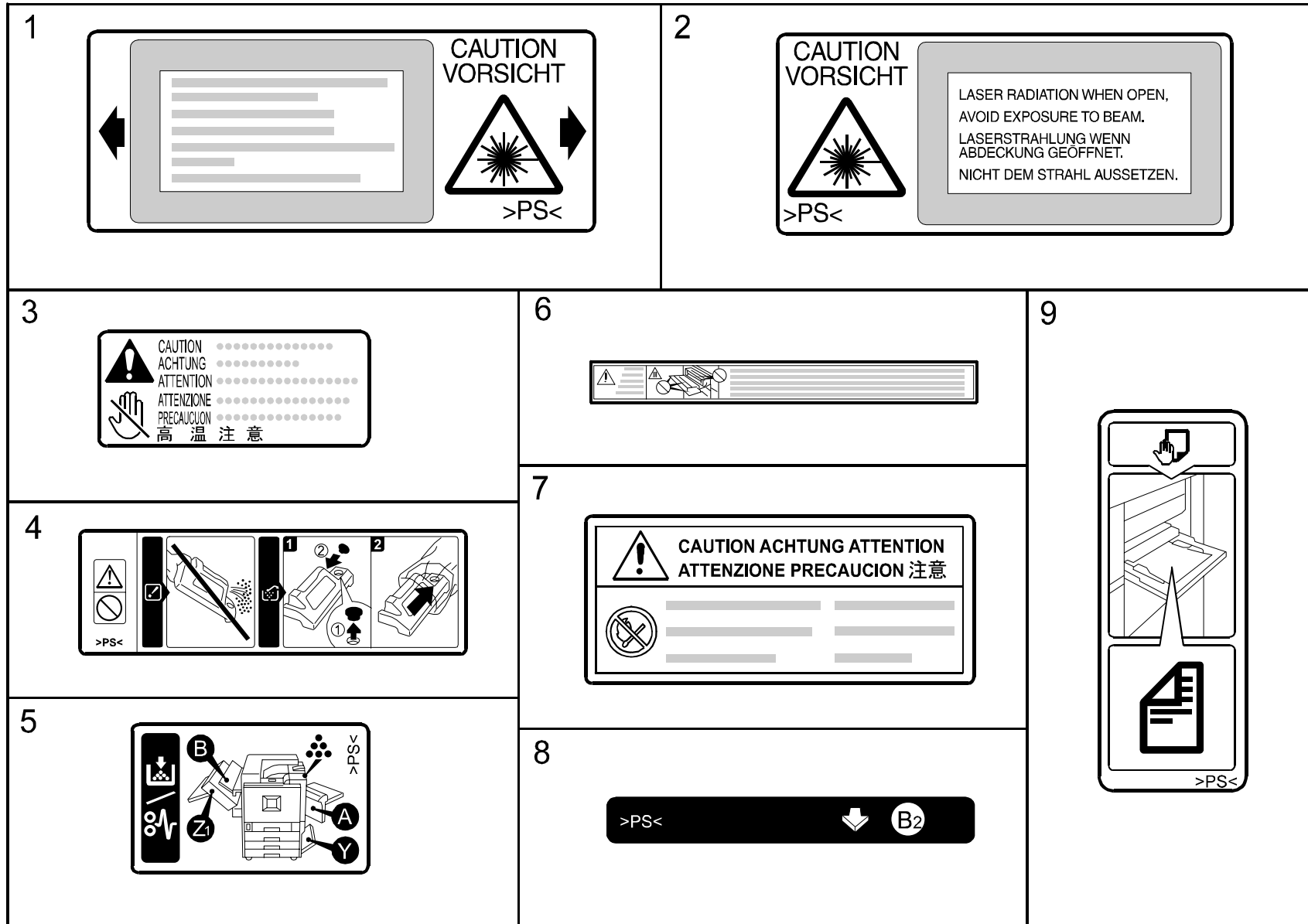
Index No.	Part No.	Description	Q'ty Per Assembly
137	1407 1535	IC - TD62308AP	
138	1407 1596	TTLIC - SN74LS14NS	
139	1407 1600	TTLIC - SN74LS244NS	
140	1407 2187	TTLIC - SN74LS07NS	
141	1407 2219	IC - TD62003AP	
142	1407 3281	IC - TC74HCU04AF	
143	1407 4687	IC - TA8083F	
144	1407 5151	IC - MBM29F160TE70TN	
145	1407 5161	CPU- HD64F2633WF25	
146	1407 5255	Clock Generator - FS741BZB	
147	1407 5343	IC - SN74LV240APW	
148	1407 5344	IC - SN74LV02APW	
149	1407 5346	IC - SN74LS74ANS	
150	1407 5347	IC - SN74LV08APW	
151	1407 5351	IC - SN74LV14APW	
152	1407 5353	IC - SN74LV244APW	
153	1407 5376	IC - SN74LV32APW	
154	1407 5469	IC - SN74LV07APW	
155	1407 5509	IC - SN74AHCT08PW	
156	1407 5538	Cpu - D6432633wg00f	
157	1407 6055	IC - A3968SLB	
158	1408 0810	IC - BA10358F	
159	1408 1065	Comparator - BA10339F	
160	1408 1082	D/A Converter - M62354FP	
161	1408 1095	IC - BA10324AF	
162	1408 1535	Transistor Array - M54585P	
163	1408 1550	IC - LM2902PW	
164	1408 1555	Regulator - L1087MP-3.3	
165	1408 1771	IC:R3112N421C	
166	1408 1781	IC - R3112N421A	
167	1503 0885	Crystal Oscillator - 10Mhz	
168	1503 0903	Crystal Oscillator- 12.5Mhz	
169	1503 0946	Crystal Oscillator - 9.8304Mhz	
170	1503 1007	Crystal Oscillator - 25Mhz	
171	1503 1182	Crystal Oscillator - 16.5Mhz	

Index No.	Part No.	Description	Q'ty Per Assembly
172	1601 7877	Resistor Array 4.7k Ω \pm 5% 1/32W	
173	1601 7887	Resistor Array - 10K Ω \pm 5% 1/32W	
174	1601 7898	Resistor Array	
175	1601 7943	Resistor Array - 68 Ω \pm 5% 1/32W	
176	1601 7959	Resistor	
177	1601 7981	Resistor Array - 100K Ω \pm 5% 1/16W	
178	1602 7032	Filter - EMI - 2200pF	
179	1604 5064	Capacitor 47uf: \pm 20%:50V	
180	1604 5065	Capacitor 10uf: \pm 20%:50V	
181	1604 5066	Capacitor 100uf: \pm 20%:50V	
182	1604 5067	Capacitor 10uf: \pm 20%:35V	
183	1604 5068	Capacitor:47uf: \pm 20%:25V	
184	1604 5069	Capacitor 47uf: \pm 20%:16V	
185	1604 5070	Capacitor:100uf: \pm 20%:10V	
186	1604 5071	Capacitor 47uf: \pm 20%:6.3V	
187	1604 5072	Capacitor 22uf: \pm 20%:6.3V	
188	1605 1148	Capacitor - 0.1 μ F+80-20% 50V	
189	1605 1184	Capacitor 7pf \pm 0.5pF:50V	
190	1605 1283	Capacitor - 680pF \pm 10% 50V	
191	1605 1285	Capacitor - 3300pF \pm 10% 50V	
192	1605 1353	Capacitor - 0.1 μ F \pm 10% 25V	
193	1605 1387	Capacitor - 0.68 μ F \pm 10% 10V	
194	1607 1002	IC - NFM60R30T222	
195	1607 1020	Filter - Mmz1608y121b	
196	1607 1275	Filter - Acf321825-221	
197	1607 1276	Filter - Acf321825-331	
198	1607 1296	Filter - Mmz1608s601a	
199	1609 0005	Resistor:33 Ω : \pm 5%:1/16W	
200	1609 0006	Resistor:10k Ω : \pm 5%:1/16W	
201	1609 0007	Resistor - 68 Ω \pm 5% 1/16W	
202	1609 0008	Resistor:4.7k Ω : \pm 5%:1/16W	
203	1609 0015	Resistor - 1K Ω \pm 5%:1/16W	
204	1609 0017	Resistor:150 Ω : \pm 5%:1/16W	
205	1609 0025	Resistor - 100 Ω \pm 5% 1/16W	
206	1609 0027	Resistor - 100K Ω \pm 5% 1/16W	

Index No.	Part No.	Description	Q'ty Per Assembly
207	1610 1347	Resistor - 0.22 Ω \pm 5% 1/4W	
208	1610 1693	Resistor - 330 Ω \pm 5% 1/1W	
209	1631 0000	Resistor - 0 Ω 1/4W	
210	1634 0000	Resistor - 0 Ω 1/16W	
211	1650 2680	Resistor - 68 Ω \pm 5% 1/4W	
212	1650 3821	Resistor - 820 Ω \pm 5% 1/8W	
213	1650 4100	Resistor - 10 Ω \pm 5% 1/10W	
214	1650 4101	Resistor - 100 Ω \pm 5%1/10W	
215	1650 4102	Resistor - 1K Ω \pm 5% 1/10W	
216	1650 4103	Resistor - 10K Ω \pm 5% 1/10W	
217	1650 4104	Resistor - 100K Ω \pm 5%1/10W	
218	1650 4105	Resistor - 1M Ω \pm 5% 1/10W	
219	1650 4132	Resistor - 1.3K Ω \pm 5% 1/10W 1608	
220	1650 4152	Resistor - 1.5K Ω \pm 5% 1/10W	
221	1650 4161	Resistor - 160 Ω \pm 5% 1/10W	
222	1650 4162	Resistor - 1.6K Ω \pm 5% 1/10W	
223	1650 4201	Resistor - 200 Ω \pm 5%1/10W	
224	1650 4204	Resistor - 200K Ω \pm 5%1/10W	
225	1650 4222	Resistor - 2.2K Ω \pm 5%1/10W	
226	1650 4223	Resistor - 22K Ω \pm 5%1/10W	
227	1650 4302	Resistor - 3K Ω \pm 5%1/10W	
228	1650 4330	Chip Resistor - 33 Ω \pm 5% 1/10W	
229	1650 4332	Resistor - 3.3K Ω \pm 5%1/10W	
230	1650 4362	Resistor - 3.6K Ω \pm 5%1/10W	
231	1650 4392	Chip Resistor - 3.9k Ω \pm 5%1/10W	
232	1650 4470	Resistor - 47 Ω \pm 5%1/10W	
233	1650 4472	Resistor - 4.7K Ω \pm 5% 1/10W	
234	1650 4511	Resistor - 510 Ω \pm 5%1/10W	
235	1650 4563	Resistor - 56K Ω \pm 5%1/10W	
236	1650 4680	Resistor - 68 Ω \pm 5%1/10W	
237	1650 4681	Resistor - 680 Ω \pm 5% 1/10W	
238	1650 4682	Resistor - 6.8K Ω \pm 5% 1/10W	
239	1650 4750	Resistor - 75 Ω \pm 5%1/10W	
240	1654 1002	Resistor - 10K Ω \pm 5%1/10W	
241	1654 1004	Chip Resistor - 1m Ω \pm 1% 1/10W	

Index No.	Part No.	Description	Q'ty Per Assembly
242	1654 1601	Chip Resistor - 1.6k Ω \pm 1% 1/10W	
243	1654 2002	Resistor - 20K Ω \pm 1%1/10W	
244	1654 2402	Chip Resistor:24k Ω : \pm 1%:1/10W	
245	1654 3571	CHIP Resistor:3.57k Ω \pm 1%:1/10W:1608	
246	1654 4301	Resistor - 4.3K Ω \pm 1%1/10W	
247	1654 5231	Resistor - 5.23K Ω \pm 1%1/10W	
248	1654 8201	Resistor - 8.2K Ω \pm 1% 1/10W	
249	1660 2101	Capacitor - 100pF - \pm 10% - 50V	
250	1660 2121	Capacitor - 120pF \pm 5% 50V	
251	1660 2150	Capacitor - 15pF \pm 5% 50V	
252	1660 2220	Capacitor - 22pF \pm 20% 35V	
253	1660 2221	Capacitor - 220pF +80-20% 50V	
254	1660 2270	Capacitor - 27pF \pm 20% 35V	
255	1660 2330	Capacitor - 33pF - \pm 5% - 50V	
256	1660 2471	Capacitor - 470pF - \pm 5% - 50V	
257	1660 2560	Capacitor - 56pF \pm 5% 50V	
258	1660 4102	Capacitor - 1000pF \pm 10% 50V	
259	1660 4103	Capacitor - 10000pF - \pm 10% - 50V	
260	1660 4472	Capacitor - 4700pF \pm 10% 50V	
261	1660 6103	Capacitor - 10000pF - +80%-20%50V	
262	1660 6223	Capacitor - 22000pF +80 -20% 50V	
263	1660 8104	Capacitor - 0.1 μ F+80-20% 25V	
264	1902 0067	Ram:1m:X8:70ns:G17	

38.Decals And Documents (G106)



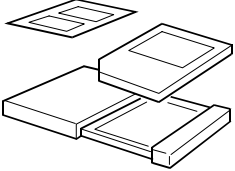
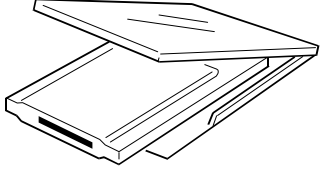
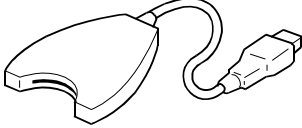
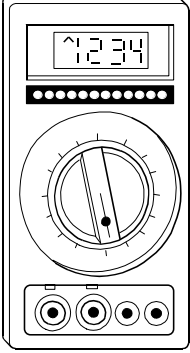
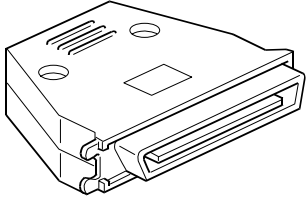
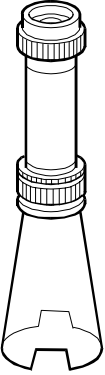
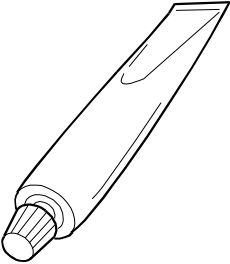
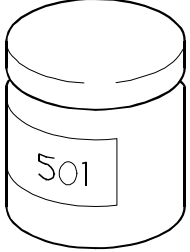
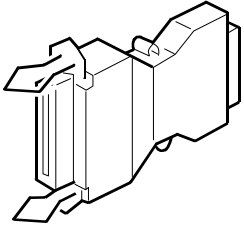
38.Decals And Documents (G106)

<p>10</p>	<p>14</p>	<p>14</p>		
<p>11</p>	<p>11</p>	<p>12</p>	<p>14</p>	<p>14</p>
<p>11</p>	<p>11</p>	<p>13</p>	<p>15</p>	<p>16</p>

38.Decals And Documents (G106)

<p>17</p> <p>Precautions on printer paper</p> <ul style="list-style-type: none"> • NEVER use ink-jet printer paper to prevent failure • Use a PROPER type OHP film and it in correct direction to prevent failure 	<p>18</p> <p>PUSH >PS<</p> <p>19</p>	<p>22</p>
<p>20</p>	<p>23</p> <p>Replace toner from here.</p>	
<p>21</p>	<p>24</p> <p>Type 7100</p> <p>Type 7000</p> <p>>ABS<</p> <p>25</p> <p>>PS< B1</p>	

39.Special Tools (G106)

<p>1</p> 	<p>2</p> 	<p>3</p> 	<p>4</p> 	<p>5</p> 
<p>6</p> 	<p>7</p> 	<p>8</p> 	<p>9</p> 	

39.Special Tools (G106)

Index No.	Part No.	Description	Q'ty Per Assembly
1	B645 5010	SD-Card:Ass'y	1
2	B645 6700	SD-Card:Adapter:BN-SDAA2	1
3	B645 6800	SD-Card:USB:Writer:BN-SDCE2	1
4	A029 9387	Digital Multimeter - FLUKE87	1
5	G021 9350	Loopback Connector - Parallel	1
6	C401 9503	20X Magnification Scope	1
7	A257 9300	Grease - Barrierta S552R	1
8	5203 9501	Grease 501	1
9	G588 5140	Plug - IEEE1284 TYPE C	1

Index No.	Part No.	Description	Q'ty Per Assembly

Parts Index

Parts Index

Part No.	Description	Page and Index No.
G106 1163	Stepper Motor - Black Ass'y	61 - 20
G106 1164	Stepper Motor - Collar Ass'y	61 - 19
G106 1193	Duct:Cooling:PCU	73 - 13
G106 1480	Guide Plate:Operation Panel	73 - 1
G106 1556	Duct:Control Section:Lower	69 - 3
G106 1854	Imaging Unit	13 - 1
G106 2423	Drum Stay	11 - 18
G106 2700	Paper Feed Unit:No.1:Ass'y	19 - 1
G106 2750	Paper Feed Unit:No.2:Ass'y	21 - 1
G106 3201	Holder:Toner Cartridge:Collar:Ass'y	31 - 1
G106 3301	Air Pump:P3	31 - 16
G106 3861	Bushing - Front Transfer Roller	43 - 26
G106 3861	Bushing - Front Transfer Roller	39 - 41
G106 3862	Bushing - Rear Transfer Roller	43 - 6
G106 3862	Bushing - Rear Transfer Roller	39 - 3
G106 4045	Stay:Heat Roller:P3C:Ass'y	45 - 13
G106 4126	Spring - Hot Roller Pressure	45 - 27
G106 4152	Thermostat:P3C:Ass'y	45 - 14
G106 5055	PCB BCU	71 - 21
G106 5055	PCB BCU	101 - *
G106 5320	Harness - Main Lower	71 - 17
G106 5320	Harness - Main Lower	69 - 35
G106 5322	Harness - Power Supply Unit	71 - 15
G106 5351	Harness - Power Supply Unit	65 - 17
G106 5360	Harness - Operation Sub-unit	9 - 5
G106 5420	Harness - Imaging Unit	13 - 10
G106 5445	Polygon Mirror Motor Control Board	13 - 25
G106 5447	Harness - Polygon Mirror Motor	13 - 26
G106 5552	IC:DSP:JP3:BCU	101 - 4
G106 5602	Upper Application Rack	71 - 23
G106 5605	Front Application Rack	71 - 24
G106 5606	Lower Application Rack	71 - 25
G106 5609	Rear Application Rack	71 - 2
G106 5620	Cover:Rack:Upper:Peen	71 - 1
G106 5625	Left Rack Cover	71 - 6

Part No.	Description	Page and Index No.
G106 5626	Right Rack Cover	71 - 22
G106 5631	Sub Power Supply Unit Bracket	65 - 18
G106 5645	Lower Shielding Plate	75 - 18
G106 5731	PCB Type-JC Ass'y	87 - *
G106 5731	PCB Type-JC Ass'y	71 - 7
G106 5922	SD-Card:J-P3:EXP:Ass'y	71 - 5
G106 5992	Control Board Panel	71 - 13
G106 5994	SD-Card 2 Panel	71 - 12
G106 6021	Holder:Fusing Unit:P3C:Peen	53 - 5
G106 6106	Sheet:Operate:J-P3:EXP	9 - 26
G106 6110	Operation Panel - NA	9 - 4
G106 6192	Decal:Emblem:J-P3C:EXP	9 - 29
G106 6193	Decal:Emblem:J-P3C:SVN	9 - 29
G106 6194	Decal:Emblem:J-P3C:Ges:NA	9 - 29
G106 6195	Decal:Emblem:J-P3C:Lan	9 - 29
G106 6210	Operation Panel - EU	9 - 4
G106 6492	Decal:Emblem:J-P3C:NRG:NSA	9 - 29
G106 6493	Decal:Emblem:J-P3C:NRG:REX	9 - 29
G106 6494	Decal:Emblem:J-P3C:NRG:GES	9 - 29
G106 6692	Decal:Emblem:J-P3C:INF	9 - 29
G106 7491	Color Chart	9 - 38
G106 7504	Setup Guide (Aisa)	9 - 35
G106 7510	Maintenance Guide (Asia)	9 - 35
G106 8550	Decal - Paper Jam	9 - 37
G106 8550	Decal - Paper Jam	107 - 5
G106 9590	NVRAM - Zero Counter	71 - 26

Part No.	Description	Page and Index No.
A029 9387	Digital Multimeter - FLUKE87	109 - 4
A134 2661	Feeler Roller	27 - 25
A134 2976	Stopper Lever	17 - 21
A134 2978	Spring Plate	17 - 22
A166 2849	Drive Support Plate	27 - 18
A204 2972	Bottom Lift Lever	15 - 5
A204 2972	Bottom Lift Lever	17 - 4
A232 2762	Paper End Feeler	21 - 37
A232 2762	Paper End Feeler	19 - 33
A232 2764	Rear Grounding Plate	19 - 16
A232 2764	Rear Grounding Plate	21 - 17
A232 2765	Front Grounding Plate	21 - 33
A232 2766	Feed Mylar	21 - 35
A232 2766	Feed Mylar	19 - 34
A232 2780	Stay - Paper Feed	21 - 2
A232 2987	Roller - Paper Tray	15 - 2
A232 2987	Roller - Paper Tray	17 - 6
A232 5355	IC - GATEX	101 - 1
A232 6082	Front Rack	25 - 11
A232 6083	Rear Rack	25 - 12
A257 9300	Grease - Barrierta S552R	109 - 7
A259 6239	Screw - M3X4	29 - 22
A259 6239	Screw - M3X4	51 - 16
A267 2857	Spring Plate - Side Fence	17 - 13
A267 2859	Side Fence Stopper	17 - 11
A267 2860	Rear Lever Stopper	17 - 12
A267 3255	Paper Separation Guide	55 - 22
B004 2782	Rear Feed Mylar	21 - 20
B004 2995	Cap - Positioning	75 - 10
B024 1264	Magnet Catch	9 - 25
B051 4361	Cap - Oil Tank Assembly	77 - 2
B101 1168	Ground Plate:OPC Drum	61 - 17
B101 1182	Upper Fan Duct	69 - 6
B101 1183	Lower Fan Duct	69 - 27
B101 1192	Upper PCU Exit Duct	69 - 28

Part No.	Description	Page and Index No.
B101 1193	Lower PCU Exit Duct	69 - 29
B101 1194	Imaging Unit Harness Guide	69 - 4
B101 1220	Left Lower Cover Ass'y	9 - 2
B101 1301	Right Front Grip Supporting Plate	75 - 19
B101 1302	Supporting Plate:Cover:Right Front:Grip	11 - 37
B101 1312	Front Pawl Stopper	9 - 19
B101 1313	Rear Pawl Stopper	9 - 22
B101 1314	Stopper Pawl Shaft	9 - 21
B101 3356	Pump:Toner Supply Unit:BK:Sub-ass'y	59 - 4
B101 3357	Pump:Toner Supply Unit:M:Sub-ass'y	59 - 7
B101 3358	Pump:Toner Supply Unit:C:Sub-ass'y	59 - 6
B101 3359	Pump:Toner Supply Unit:Y:Sub-ass'y	59 - 5
B101 3361	Toner Outlet Sub-unit:CY:Sub-ass'y	59 - 12
B101 3366	Toner Outlet Sub-unit:BK:Sub-ass'y	59 - 14
B101 3560	Case:Connecting:BK	59 - 16
B101 3562	Cover:Connecting:BK:Ass'y	59 - 17
B101 3768	Joint:Collection Bottle:Ass'y	63 - 6
B101 3788	Guide:Collection Bottle:Ass'y	59 - 11
B101 3789	Toner Outlet Sub-unit:M:Sub-ass'y	59 - 13
B101 3902	Press Fit Exit Roller	39 - 2
B101 3930	Encoder Ass'y	41 - 25
B101 3940	Entrance Driven Roller	39 - 28
B101 5130	PCB DRB	69 - 14
B101 5321	Harness - Middle Main	71 - 16
B101 5330	Harness - FFC M	13 - 16
B101 5331	Harness - FFC C	13 - 17
B101 5332	Harness - FFC Y	13 - 14
B101 5333	Harness - FFC K	13 - 15
B101 5353	Harness - Leak Breaker L	69 - 32
B101 5354	Harness - Leak Breaker N	69 - 33
B101 5370	Harness - Transfer Unit Drawer	41 - 32
B101 5450	ID Sensor	51 - 14
B101 5646	Leak Breaker Bracket	69 - 31
B101 5647	Choke Coil Bracket - NA	69 - 30
B101 5801	IC - ASIC CYMBALS	87 - 1

Part No.	Description	Page and Index No.
B101 5805	IC - ASIC CLARINET	87 - 2
B101 5991	Control Board Bracket	71 - 14
B101 5993	Interface Panel	71 - 8
B101 5994	Card Panel	71 - 11
B148 6251	Choke Coil Bracket - EU/AA	69 - 30
B149 1995	Holder:Pad:Ass'y	9 - 27
B149 4010	Fusing Exit Lower Guide Plate Ass'y	45 - 20
B149 4452	Roller:Driven:Fusing Exit:Ass'y	49 - 35
B149 5323	Harness - SV Left Main	71 - 18
B149 5325	Harness - Power Pack C/B/PCU	69 - 12
B645 5010	SD-Card:Ass'y	109 - 1
B645 6700	SD-Card:Adapter:BN-SDAA2	109 - 2
B645 6800	SD-Card:USB:Writer:BN-SDCE2	109 - 3
C401 9503	20X Magnification Scope	109 - 6
G011 3305	Gear - 16Z	25 - 13
G012 4617	Stepped Screw - M3	31 - 12
G012 4617	Stepped Screw - M3	75 - 5
G020 1332	Hinge - Front Cover	9 - 30
G021 9350	Loopback Connector - Parallel	109 - 5
G024 4740	Oil End Sensor	77 - 12
G034 2993	Flanged Hexagonal Head Bolt - M3x6	71 - 10
G060 1053	Drawer Bracket - Paper Feed Table	65 - 12
G060 1054	Holder:Guide Pin:Paper Feed Table	65 - 14
G060 1054	Holder:Guide Pin:Paper Feed Table	29 - 25
G060 1068	Left Guide Plate - Imaging Uni	73 - 16
G060 1070	Right Guide Plate - Imaging Unit	73 - 15
G060 1074	Upper Registration Stay	59 - 9
G060 1076	Left Guide - Development Unit	59 - 8
G060 1079	Holder - Used Collection Bottle	75 - 1
G060 1081	Shielding Plate - Paper Feed	75 - 9
G060 1083	Rear Left Channel	65 - 20
G060 1085	Rear Right Channel	65 - 21
G060 1087	Rack Holder	65 - 19
G060 1089	Front Left Supporting Plate	75 - 7
G060 1091	Rear Fusing Bracket	53 - 2

Part No.	Description	Page and Index No.
G060 1095	Vertical Transport Hinge	75 - 14
G060 1099	Supporting Plate:Front Lower	77 - 17
G060 1106	Registration Tightner	65 - 4
G060 1120	Drive Unit - C/M/Y Development	61 - 1
G060 1174	Tightener - Paper Feed	67 - 28
G060 1176	Bracket - Magnetic Clutch 1	67 - 29
G060 1177	Bracket - Magnetic Clutch 2	67 - 25
G060 1184	Film - PCU Guide Rail	59 - 2
G060 1196	Duct:PCU:Supporter:Upper	33 - 22
G060 1198	PCU Duct	33 - 23
G060 1199	Inner PCU Duct	61 - 4
G060 1266	Front Cover - Right Lower	11 - 25
G060 1269	Left Rear Cover	11 - 4
G060 1271	Front Cover - Left Lower	11 - 6
G060 1274	Upper Exit Cover	11 - 34
G060 1277	Bracket - Front Cover Hinge	75 - 8
G060 1277	Bracket - Front Cover Hinge	29 - 21
G060 1279	Exit Cover	11 - 33
G060 1280	Supporting Plate - Right Rear Cover	11 - 30
G060 1281	Louver - Left Rear Cover	11 - 5
G060 1285	Lower Inner Cover	11 - 10
G060 1287	Front Right Cover	11 - 26
G060 1288	Large Cover - Option	9 - 7
G060 1289	Small Cover - Option	9 - 6
G060 1293	Exit End Fence	9 - 15
G060 1300	Filter Case	11 - 3
G060 1555	Upper Controller Duct	69 - 1
G060 1901	Positioning Pin	13 - 3
G060 1908	Thermistor Plate	13 - 5
G060 1972	Shield:Cover:Upper	13 - 8
G060 1975	Lower Cover	13 - 12
G060 2326	Charge Roller Cleaner	41 - 15
G060 2455	Cover - Drum Stay	11 - 13
G060 2456	Spring Plate- Unit Detection Switch	11 - 17
G060 2457	Unit Detection Switch	11 - 15

Part No.	Description	Page and Index No.
G060 2460	Screw - M4X6	11 - 11
G060 2461	Nut - M7	11 - 14
G060 2481	Left Spring - Drum Stay	11 - 22
G060 2482	Right Spring - Drum Stay	11 - 24
G060 2602	Spring - Registration	23 - 9
G060 2609	Bracket - Registration Sensor	29 - 8
G060 2617	Middle Guide Plate	29 - 19
G060 2618	Guide Plate:Middle:Lower:Adhesion	29 - 20
G060 2620	Entrance Middle Guide	29 - 28
G060 2626	Transport Drive Roller - Middle	29 - 18
G060 2627	Transport Drive Roller	29 - 9
G060 2629	Vertical Transport Guide	21 - 34
G060 2630	Guide Plate:Swivel:Adhesion	21 - 38
G060 2633	Guide:Middle:Lower	29 - 27
G060 2651	Rear Bushing - M6	23 - 30
G060 2652	Bushing - M4	29 - 15
G060 2652	Bushing - M4	23 - 20
G060 2663	Side Plate:Paper Feed:Rear:Ass'y	23 - 27
G060 2667	Hinge:Vertical Transport	23 - 29
G060 2669	Cover - Upper Registration	23 - 1
G060 2672	Hook - Lower Vertical Transport	23 - 14
G060 2674	Torsion Spring - Vertical Transport	23 - 13
G060 2680	Bracket - Micro Switch	23 - 2
G060 2681	Knob - Vertical Transport	29 - 17
G060 2683	Lower Vertical Transport Hinge	23 - 28
G060 2685	Registration Drive Roller	29 - 2
G060 2686	Registration Driven Roller	23 - 4
G060 2689	Shaft - Separation Driven	21 - 31
G060 2689	Shaft - Separation Driven	19 - 30
G060 2690	Lever - Vertical Transport	23 - 16
G060 2716	Feed Stay	19 - 2
G060 2723	Housing:Paper Feed Unit	19 - 36
G060 2724	Upper Guide - Paper Feed Unit	19 - 31
G060 2725	Stay - Paper Separation	21 - 25
G060 2727	Stay - Paper Separation 1	19 - 27

Part No.	Description	Page and Index No.
G060 2760	Housing:Paper Feed Unit	21 - 39
G060 2770	Tray Bottom Plate:Ass'y	15 - 10
G060 2770	Tray Bottom Plate:Ass'y	17 - 17
G060 2774	Lift Shaft	15 - 6
G060 2774	Lift Shaft	17 - 5
G060 2775	Spring Plate - Paper Tray	17 - 8
G060 2775	Spring Plate - Paper Tray	15 - 4
G060 2779	Left Supporter	75 - 6
G060 2780	Supporter:Right:Ass'y	75 - 11
G060 2786	Rear Feed Mylar	19 - 19
G060 2797	Paper Size Sensor Board	17 - 9
G060 2800	DC Motor - DC24V 0.5W	65 - 10
G060 2801	Holder - Paper Tray	65 - 13
G060 2806	Tension Spring - Paper Size Sensor Board	17 - 26
G060 2830	Upper Positioning Plate	75 - 12
G060 2834	Lower Positioning Plate	75 - 13
G060 2856	Manual Feed Table Ass'y	25 - 4
G060 2865	Cover - Manual Feed Table	25 - 15
G060 2866	Front Side Fence	25 - 5
G060 2867	Rear Side Fence	25 - 6
G060 2869	Paper Size Sensor	25 - 14
G060 2871	Separation Driven Shaft	27 - 34
G060 2874	Guide Plate - Separator	27 - 30
G060 2900	Torque Limiter - 40mn·m 18mm	21 - 30
G060 2900	Torque Limiter - 40mn·m 18mm	19 - 29
G060 2905	Paper Guide - Manual Feed Tabl	25 - 10
G060 2908	Pad - Side Fence	25 - 7
G060 2914	Stopper Plate	27 - 9
G060 2928	Housing:Manual Feed	27 - 27
G060 2930	Housing Cover	27 - 6
G060 2931	Feeler - Paper End	27 - 24
G060 2932	Pick-up Arm - Manual Feed	27 - 13
G060 2940	Cover - Lower Manual Feed	25 - 9
G060 2948	Grounding Plate - Reverse	27 - 23
G060 2949	Magnetic Clutch Cover	11 - 28

Part No.	Description	Page and Index No.
G060 2950	Spring Plate - Clutch Cover	11 - 29
G060 2972	Safety Switch Feeler	59 - 10
G060 2973	Front Shaft - Manual Feed Table	25 - 2
G060 2974	Rear Shaft - Manual Feed Table	25 - 3
G060 2982	Feed Guide	27 - 28
G060 2989	Screw Driver	9 - 28
G060 3205	Holder:Toner Cartridge	31 - 15
G060 3219	Toner Cartridge Holder	33 - 4
G060 3219	Toner Cartridge Holder	31 - 19
G060 3232	Base - Toner Cartridge Stopper	33 - 14
G060 3232	Base - Toner Cartridge Stopper	31 - 27
G060 3233	Toner Cartridge Holder Filter	33 - 20
G060 3236	Tube - K Toner Supply	33 - 11
G060 3237	Tube - Y Toner Supply	31 - 10
G060 3238	Tube - C Toner Supply	31 - 7
G060 3240	Valve	31 - 11
G060 3241	Tube - M Toner Supply	31 - 9
G060 3301	Air Pump - Toner Supply	31 - 13
G060 3318	Shielding Plate - K Development	33 - 24
G060 3319	Shielding Plate - C Development	33 - 28
G060 3320	Shielding Plate - M Development	33 - 30
G060 3321	Shielding Plate - Y Development	33 - 26
G060 3336	Holder:Toner Cartridge:BK:Left	33 - 16
G060 3337	Shield:Holder:Toner Cartridge	33 - 15
G060 3372	Tube - K	59 - 18
G060 3600	Collection Bottle - Transfer Belt	11 - 8
G060 3602	Cap:Bottle	11 - 36
G060 3609	Toner Collection Bottle Decal	107 - 4
G060 3609	Toner Collection Bottle Decal	11 - 9
G060 3623	Collection Bottle Bracket	73 - 7
G060 3626	Used Toner Sensor Spring	75 - 4
G060 3627	Toner Bottle Sensor Feeler	75 - 2
G060 3629	Shield:Holder:Collection Bottle	75 - 3
G060 3677	Lower Transfer Entrance Guide	39 - 39
G060 3680	Back Up Roller - Transfer	39 - 8

Part No.	Description	Page and Index No.
G060 3693	Ground Plate:Transfer:K	39 - 10
G060 3706	DC Motor - 1.56W	63 - 4
G060 3712	Torsion Spring:Shaft:Release:10n	41 - 12
G060 3852	Bushing - Back-up	43 - 10
G060 3852	Bushing - Back-up	39 - 6
G060 3853	Tension Spring - Left Frame	39 - 11
G060 3894	Cam - Front	39 - 19
G060 3896	Joint - Front	39 - 22
G060 3899	Gear - On-off	39 - 30
G060 3908	Upper Registration Guide	39 - 40
G060 3914	Cover - Bias Roller	39 - 33
G060 3924	Compression Spring - Back Up 3n	39 - 7
G060 3924	Compression Spring - Back Up 3n	43 - 9
G060 3952	Shaft:Toner Collection Coil	37 - 18
G060 3953	Sleeve:Shaft:Toner Collection Coil	37 - 16
G060 3955	Front Spring Plate - Transfer	43 - 20
G060 3956	Rear Spring Plate - Transfer	43 - 13
G060 3977	Gear - Transport Screw	37 - 12
G060 3998	Seal - Sensor	75 - 17
G060 4078	Bracket:Stud:Rear:Peen	47 - 15
G060 4095	Holder:Guide:Front	55 - 25
G060 4096	Holder:Guide:Rear	55 - 24
G060 4098	Shaft:Guide	55 - 23
G060 4179	Bracket:Fix:Pressure Roller	47 - 2
G060 4188	Sheet:Fiber:Bracket	47 - 12
G060 4190	Nut:Fusing	45 - 34
G060 4190	Nut:Fusing	47 - 18
G060 4208	Fusing Belt	45 - 11
G060 4335	Heat Sink - DC Solenoid Apply	57 - 21
G060 4428	Drinev Roller - M13	57 - 14
G060 4429	Compression Spring - Exit Driven 1n	49 - 12
G060 4436	Compression Spring - Exit Driven	49 - 34
G060 4447	Driven Roller - M16	57 - 13
G060 4447	Driven Roller - M16	49 - 32
G060 4449	Bushing - M4	49 - 13

Part No.	Description	Page and Index No.
G060 4451	Upper Exit Guide Plate	57 - 12
G060 4454	Driven Roller - M13	55 - 9
G060 4455	Guide Plate:Exit:Lower	55 - 8
G060 4457	Bracket - Exit Roller	55 - 12
G060 4458	Gear - 16Z	57 - 4
G060 4459	Gate Pawl	57 - 6
G060 4460	Lever - Gate Pawl	57 - 19
G060 4461	Tension Spring - Gate Pawl	57 - 20
G060 4463	Timing Belt - S2M176	55 - 6
G060 4467	Roller Holder	55 - 10
G060 4479	Shaft - Paper Sensor	57 - 8
G060 4481	Bracket - Paper Sensor	57 - 10
G060 4482	Feeler - Paper Sensor	57 - 9
G060 4490	Exit Tray	9 - 1
G060 4491	Exit Tray	9 - 36
G060 4492	Sub Exit Tray	9 - 13
G060 4496	Support Plate - Discharge Brush	49 - 24
G060 4820	Relay Guide Plate	73 - 2
G060 4850	Stopper Shaft Bracket	55 - 1
G060 4855	Link Bracket	63 - 8
G060 4860	Duplex Left Bracket	73 - 6
G060 4865	Duplex Right Bracket	73 - 12
G060 5322	Sync Detector Board	13 - 4
G060 5355	IC - S-GATEX	101 - 2
G060 5489	Harness - Unit Detection Switch	11 - 16
G060 5511	Harness - High Voltage Line T-K	43 - 22
G060 5511	Harness - High Voltage Line T-K	39 - 16
G060 5530	Harness - Density Sensor	63 - 12
G060 5599	Toner Cartridge Stopper	31 - 26
G060 5599	Toner Cartridge Stopper	33 - 13
G060 5791	IC - GAPCI	101 - 3
G060 5801	Bracket - Door Switch Lever	53 - 20
G060 5808	Arm - Safety Switch	53 - 23
G060 5813	Bracket - Main Switch	11 - 7
G060 5816	Bracket - Power Pack	69 - 13

Part No.	Description	Page and Index No.
G060 5822	Bracket - Safety Switch	53 - 19
G060 5823	Bracket - Door Switch	53 - 18
G060 5853	Grip - Application	71 - 9
G060 5861	Inner Back Lever - Door Switch	69 - 20
G060 5862	Cap - PSU	69 - 17
G060 5863	Bracket - PSU Fan	69 - 23
G060 5870	Clamp - M4.8	63 - 2
G060 5870	Clamp - M4.8	65 - 11
G060 5871	Clamp - M3.5	63 - 3
G060 5898	FCC Harness Cushion	73 - 4
G060 5899	FFC Harness Plate	73 - 3
G060 6031	Bracket - Rear Lever	53 - 11
G060 6032	Bracket - Front Lever	53 - 13
G060 6033	Rear Holder Arm	53 - 7
G060 6034	Front Holder Arm	53 - 14
G060 6035	Detent Roller	53 - 9
G060 6036	Arm Shaft	53 - 10
G060 6037	Detent Shaft	53 - 8
G060 6038	Detent Spring	53 - 6
G060 6039	Grip - Cover	53 - 12
G065 2767	Lever - Feed	19 - 14
G065 2767	Lever - Feed	21 - 15
G065 2774	Pressure Lever	19 - 25
G065 2774	Pressure Lever	21 - 24
G065 2775	Link Lever	19 - 26
G065 2775	Link Lever	21 - 28
G065 2776	Release Lever	19 - 18
G065 2776	Release Lever	21 - 19
G077 1042	Duct:Imaging Unit	13 - 24
G077 1100	Drive Unit - K Development	61 - 3
G077 1117	Magnetic Clutch Holder	61 - 8
G077 1173	Tightener - Paper Feed 1	67 - 16
G077 1262	Cover:Front	9 - 24
G077 1268	Rear Cover	9 - 9
G077 1275	Upper Cover - Exit Tray	11 - 32

Part No.	Description	Page and Index No.
G077 1560	Duct:Power Supply Unit:Upper Position	69 - 8
G077 1904	Cover:Polygon Scanner:Peen	13 - 20
G077 1906	Shield:Cover:Polygon Scanner:1	13 - 21
G077 1907	Shield:Cover:Polygon Scanner:2	13 - 22
G077 1971	Grip:Imaging Unit	13 - 19
G077 1972	Stopper:Grip	13 - 18
G077 2796	Link:Paper Size Sensor Board	17 - 25
G077 2798	Cover:Paper Size Sensor	17 - 27
G077 2839	Guide:Remove Paper Dust:Ass'y	23 - 5
G077 3340	Holder:BK:Lower	33 - 19
G077 4070	Bracket:Thermistor	47 - 14
G077 4462	Gear:Pulley:18z27t	55 - 3
G077 4464	Bracket:Gear:Floppy Disk:Peen	55 - 2
G077 5820	Guide Plate - Upper Rack	69 - 9
G077 5821	Guide Plate:Left Upper:Peen	51 - 2
G080 1026	Holder:OPC Drum:Ass'y	63 - 1
G080 1036	Gear:Drum:Ass'y	61 - 14
G080 1066	Frame:Lengthwise Upper:Peen	55 - 19
G080 1071	Supporter:PCU:Peen	59 - 3
G080 1072	Supporter:PCU	59 - 1
G080 1078	Supporter:Fusing Unit	51 - 7
G080 1079	Holder:Connector:Ass'y	51 - 19
G080 1082	Guide Plate:Transport Unit	77 - 18
G080 1098	Bracket:Option:Front	51 - 17
G080 1099	Bracket:Option:Rear	51 - 1
G080 1109	Bracket:Drive:Manual Feed:Peen	67 - 9
G080 1111	Bracket:Connecting:Peen	65 - 2
G080 1115	Joint:Development:Sub-Ass'y	61 - 11
G080 1151	Shielding Plate:Gear:Drum	61 - 5
G080 1152	Holder:Positioning Sensor:Gear:Drum	61 - 6
G080 1154	Bracket:Drum:Drive:Peen	61 - 18
G080 1161	Positioning Plate:Shaft:Drive:Manual Feed	67 - 8
G080 1169	Screw:M3	61 - 12
G080 1170	Drive Unit:Stepper Motor:Paper Feed:Ass'y	67 - 17
G080 1171	Bracket:Paper Feed:Drive	67 - 26

Part No.	Description	Page and Index No.
G080 1183	Duct:Tray:Exit:Ass'y	13 - 23
G080 1224	Inner Cover:Manual Feed:Ass'y	9 - 17
G080 1265	Cover:Right:Upper	9 - 16
G080 1267	Cover:Right:Rear	11 - 27
G080 1272	Cover:Upper:Rear	9 - 8
G080 1282	Inner Cover:Right	11 - 20
G080 1283	Inner Cover:Upper	9 - 3
G080 1284	Inner Cover:Left	11 - 21
G080 1294	Inner Cover:Toner Cartridge	11 - 31
G080 1295	Inner Cover:Left:Small	11 - 23
G080 1319	Electrode:Ground Plate	9 - 12
G080 1320	Grip:Cover:Right Upper:Peen	9 - 20
G080 1321	Band:Stopper:Cover:Right Upper	9 - 14
G080 2526	Shoe:Paper Tray	17 - 28
G080 2531	Transport Sub-unit:Lengthwise:Ass'y	25 - 1
G080 2605	Guide Plate:Registration:Lower:Adhesion	29 - 5
G080 2612	Guide Plate:Registration:Upper	23 - 6
G080 2614	Guide Plate:Registration:Middle	23 - 7
G080 2621	Guide Plate:Duplex:Exit:Upper	29 - 10
G080 2622	Guide Plate:Duplex:Exit:Lower	29 - 26
G080 2623	Guide:Turn	29 - 29
G080 2635	Bracket:Sensor:Paper Feed	29 - 13
G080 2643	Guide Plate:Vertical Transport	23 - 8
G080 2644	DC Solenoid:Ass'y	23 - 24
G080 2645	Arm:Roller:Release	23 - 23
G080 2649	Slider:Registration:Release	27 - 21
G080 2650	Bushing:Registration:Front:Driven	23 - 10
G080 2651	Link:Pressure Release:Registration	27 - 19
G080 2652	Bracket:Link:Ass'y	27 - 20
G080 2656	Compression Spring:Driven:2n	23 - 25
G080 2660	Side Plate:Paper Feed:Front:Ass'y	23 - 11
G080 2668	Cover:Vertical Transport	23 - 17
G080 2670	Hook:Vertical Transport:Upper:Peen	23 - 12
G080 2673	Shaft:Grip	23 - 15
G080 2680	Bushing:Registration:Rear:M8	29 - 3

Part No.	Description	Page and Index No.
G080 2682	Bushing:Feed	27 - 32
G080 2683	Shaft:Feed	27 - 8
G080 2684	Bushing:Registration:Front:Mm8	29 - 1
G080 2761	Arm:Pickup	21 - 10
G080 2761	Arm:Pickup	19 - 9
G080 2762	Guide Plate:Paper Feed Unit	21 - 36
G080 2762	Guide Plate:Paper Feed Unit	19 - 35
G080 2763	Ground Plate:Front:Paper Feed Unit	19 - 32
G080 2768	Paper Tray:No.1:Ass'y	15 - 1
G080 2772	Paper Tray:No.2:Ass'y	17 - 1
G080 2777	Side Fence:Front:Fix:Adhesion	15 - 13
G080 2778	Side Fence:Rear:Fix:Adhesion	15 - 7
G080 2781	Side Fence:Front:Universal:Ass'y	17 - 20
G080 2782	Side Fence:Rear:Universal:Ass'y	17 - 10
G080 2789	Side Fence:Front:Universal:Adhesion	17 - 23
G080 2790	Side Fence:Rear:Universal:Adhesion	17 - 14
G080 2793	Plate:Side Fence	15 - 8
G080 2794	Plate:Side Fence:Right	15 - 9
G080 2795	Plate:Side Fence:F2	17 - 15
G080 2796	Plate:Side Fence:Right:F2	17 - 16
G080 2851	Manual Feed Unit:Ass'y	27 - 5
G080 2900	Torque Limiter	27 - 4
G080 2937	DC Solenoid Pickup Ass'y	27 - 14
G080 2952	Torsion Spring:Cover:Right	25 - 18
G080 2953	Torsion Spring:Cover:Left	25 - 16
G080 3202	Holder:Toner Cartridge:BK:Dom:Ass'y	33 - 2
G080 3214	Tube:Air Pump:MC	31 - 4
G080 3215	Tube:Air Pump:BK	31 - 2
G080 3216	Nozzle:Ymc	31 - 21
G080 3222	Nozzle:BK	33 - 6
G080 3240	Tube:Air Pump:Y	31 - 3
G080 3241	Tube:Valve:BK	33 - 7
G080 3241	Tube:Valve:BK	31 - 5
G080 3243	Toner Supply Unit Holder Pad	31 - 28
G080 3331	Holder:Toner Cartridge:BK:Rear	33 - 18

Part No.	Description	Page and Index No.
G080 3332	Holder:Toner Cartridge:BK:Front	33 - 17
G080 3336	Holder:Toner Cartridge:BK:Right	33 - 21
G080 3611	Bracket:Density Sensor:Ass'y	51 - 11
G080 3617	Shutter:Density Sensor:Ass'y	51 - 15
G080 3618	Sheet:Shutter	51 - 18
G080 3620	Guide Plate:Transfer:Exit	51 - 10
G080 3621	Cover:Density Sensor	51 - 9
G080 3716	Bracket:Cleaning Blade:Ass'y	37 - 8
G080 3731	Case:Coating Bar	37 - 3
G080 3732	Shield:Cleaning Unit	37 - 2
G080 3733	Dual Faces Tepe:Entrance Seal	37 - 4
G080 3740	Holder:Brush Roller:Front:Ass'y	37 - 14
G080 3745	Lever:Release:Cleaning Blade	37 - 13
G080 3780	Transfer Belt	39 - 1
G080 3830	Cleaning Unit:Transfer Belt:Ass'y	37 - 1
G080 3831	Casing:Cleaning Unit:Ass'y	37 - 17
G080 3855	Transfer Roller	43 - 7
G080 3855	Transfer Roller	39 - 5
G080 3860	Frame:BK	39 - 12
G080 3862	Bushing:Roller:Back Up	43 - 3
G080 3863	Terminal:Transfer Roller:Bk	39 - 13
G080 3864	Roller:Back Up:Ass'y	43 - 11
G080 3867	Holder:Frame:BK:Front	39 - 9
G080 3868	Holder:Frame:Bk:Rear	39 - 14
G080 3869	Terminal:Roller:Exit	39 - 15
G080 3870	Frame:Collar	43 - 17
G080 3875	Ground Plate:Connecting:1	43 - 16
G080 3880	Ground Plate:Roller:Back Up	43 - 19
G080 3881	Terminal:Transfer Roller:Magenta	43 - 12
G080 3882	Terminal:Transfer Roller:Cyan	43 - 21
G080 3883	Terminal:Earth:Magenta	43 - 18
G080 3884	Terminal:Earth:Cyan	43 - 14
G080 3886	Spring Plate:Ground Plate:Cyan	43 - 15
G080 3890	Frame:Front:Ass'y	41 - 8
G080 3895	Frame:Rear:Ass'y	41 - 26

Part No.	Description	Page and Index No.
G080 3897	Bracket:Drawer	41 - 33
G080 3900	Stay:Right:Ass'y	41 - 23
G080 3904	Stay:Left:Ass'y	41 - 13
G080 3908	Shaft:Release:Ass'y	41 - 11
G080 3910	Drive Roller:Ass'y	41 - 10
G080 3918	Spacer - M8.2x0.8	41 - 28
G080 3919	Drive Roller Cleaner Bushing	41 - 14
G080 3920	Roller:Tension	41 - 21
G080 3921	Bracket:Roller:Tension:Front	41 - 7
G080 3922	Bracket:Roller:Tension:Rear	41 - 30
G080 3923	Ground Plate:Magenta:Ass'y	43 - 8
G080 3925	Ground Plate:Y:Ass'y	43 - 1
G080 3931	Bracket:On-off:Front:Ass'y	39 - 24
G080 3934	Bracket:On-off:Rear:Ass'y	39 - 29
G080 3936	Shaft:On-off	39 - 18
G080 3941	Roller:Roller:Driven	39 - 27
G080 3942	Roller:Roller:Driven:Entrance	39 - 26
G080 3943	Spacer:0.5mm	41 - 18
G080 3945	Roller:Driven:Left Lower	41 - 17
G080 3946	Bracket:Roller:Driven:Peen	41 - 19
G080 3950	Bracket:Guide:Right Lower	39 - 21
G080 3951	Bracket:Guide:Left:Ass'y	39 - 17
G080 3960	Guide Plate:Entrance:Transfer	39 - 38
G080 3965	Roller:Bias:Ass'y	39 - 32
G080 3967	Terminal:Bias	39 - 34
G080 3968	Terminal:Roller:Bias	39 - 36
G080 3985	Tightener:Drive:Peen	41 - 2
G080 3990	Drum Stay:Transfer Unit:Peen	37 - 24
G080 3993	Lever:Release	37 - 22
G080 3994	Cover:Transfer Unit	37 - 23
G080 4012	Thermofuse:Ass'y	47 - 6
G080 4037	Stay:Fusing:Upper:Ass'y	45 - 6
G080 4097	Holder:Guide:Roller	55 - 20
G080 4128	Arm:Hot Roller:Front	45 - 29
G080 4129	Arm:Hot Roller:Rear	45 - 28

Part No.	Description	Page and Index No.
G080 4184	Bracket:Pickoff Pawl:Ass'y	45 - 24
G080 4194	Gear:Oil Supply Roller:No.1	45 - 9
G080 4195	Gear:Oil Supply Roller:No.2:Front	45 - 10
G080 4197	Spacer:Heater	47 - 16
G080 4197	Spacer:Heater	45 - 35
G080 4198	Gear:Oil Supply Roller:No.2	45 - 5
G080 4202	Shield:Positioning Pin:Front	47 - 8
G080 4203	Shield:Positioning Pin:Rear	47 - 13
G080 4207	Fusing Cover:Upper:Exp:Ass'y	45 - 31
G080 4210	Fusing Entrance Guide Plate	47 - 9
G080 4211	Bracket:Connector	47 - 19
G080 4231	Holder:Oil	51 - 3
G080 4232	Tube:Used Developer:Oil	51 - 5
G080 4233	Clip - M11	51 - 4
G080 4239	Plate:Grip	57 - 22
G080 4245	Magnet Catch:Fusing	45 - 30
G080 4251	Knob:Fusing	45 - 19
G080 4270	DC Solenoid:Oil Supply:Ass'y	57 - 18
G080 4291	Base:Set Sensor	55 - 15
G080 4292	Electrode:Set Sensor:Machine Or Copier	55 - 16
G080 4293	Supporting Plate:Set Sensor	55 - 26
G080 4307	Spring Plate:Return	45 - 7
G080 4308	Tension Spring:Grip	45 - 2
G080 4309	Supporter:Oil Application Unit:Front	45 - 8
G080 4315	Supporter:Oil Application Unit:Rear	45 - 4
G080 4323	Sheet:Fiber:Grip	45 - 3
G080 4328	Fusing Unit Grip	45 - 1
G080 4358	Oil Tank:Collect:Ass'y	77 - 1
G080 4359	Holder:Oil Tank:Ass'y	77 - 22
G080 4360	Bracket - Oil Collection Unit	77 - 6
G080 4363	Cam:Contact Point	77 - 8
G080 4364	Holder:Oil Tank	77 - 4
G080 4370	Valve:Oil:Collect:Machine Or Copier:Ass'y	77 - 7
G080 4380	Bracket:Sensor	77 - 10
G080 4383	Lever:Oil Tank	77 - 19

Part No.	Description	Page and Index No.
G080 4384	Bracket:Set Sensor:Oil Tank	77 - 14
G080 4387	Magnet Catch	77 - 16
G080 4394	Holder:Oil Tank:Ass'y	77 - 5
G080 4425	Paper Exit Sub-Unit:FU:Ass'y	49 - 1
G080 4430	Cover:Exit	49 - 25
G080 4431	Side Plate:Exit:Rear:Peen	49 - 9
G080 4435	Side Plate:Exit:Front	49 - 28
G080 4436	Stay:Exit:Upper	49 - 10
G080 4437	Stay:Exit:Lower	49 - 22
G080 4438	Pulley:Exit Roller:20t	49 - 29
G080 4439	Gear:Exit Roller:FU:18z	49 - 4
G080 4440	Guide Plate:Exit:Connecting	49 - 11
G080 4441	Link:Gate Pawl:Exit	49 - 16
G080 4442	Gate Pawl:Exit	49 - 18
G080 4444	Cover:Exit:Lock:Duplex	49 - 37
G080 4445	Timing Belt:S2M186	49 - 30
G080 4446	Guide Plate:Fusing Exit:Upper	49 - 26
G080 4447	Torsion Spring:Gate Pawl:Exit	49 - 17
G080 4449	Guide Plate:Exit:Entrance:Lower	49 - 20
G080 4450	Gear:Input:17z:19z	49 - 7
G080 4451	Gear:Idler:21z	49 - 6
G080 4456	Bracket:Magnet Catch:Front	49 - 31
G080 4457	Bracket:Magnet Catch:Rear	49 - 2
G080 4460	Side Plate:Exit:FD:Front	55 - 14
G080 4461	Side Plate:Exit:FD:Rear	55 - 4
G080 4462	Stay:Exit:Floppy Disk:Lower	55 - 13
G080 4463	Stay:Exit:FD:Upper	55 - 18
G080 4464	Bracket:Idler:FD:Peen	57 - 1
G080 4470	DC Solenoid:Gate Pawl:Exit:Ass'y	53 - 1
G080 5455	Harness:Fusing:Machine Or Copier:DC	71 - 19
G080 5457	Harness:DRB	71 - 20
G080 5479	Harness:Manual Feed Unit	27 - 15
G080 5480	Harness:Registration Sensor	29 - 7
G080 5482	Harness:Paper Feed Unit:Sensor	29 - 12
G080 5483	Harness:Paper Feed Unit	19 - 12

Part No.	Description	Page and Index No.
G080 5490	Harness:Paper Feed Unit:2	21 - 13
G080 5491	Harness:Sensor:On-off	75 - 15
G080 5492	Harness:ID:K	33 - 1
G080 5493	Harness:Set Sensor:Bottle	73 - 9
G080 5494	Harness:Imaging Unit:Sync Detector: Cm	13 - 11
G080 5495	Harness:Sensor:Tm	51 - 12
G080 5496	Harness:Toner End Sensor:K	33 - 9
G080 5501	Harness:Vertical Transport:Safety Switch	23 - 3
G080 5504	Harness:New Article Sensor:Oil	55 - 17
G080 5505	Harness:Oil:Full	77 - 11
G080 5506	Harness:Vertical Transport	23 - 19
G080 5512	Harness:High Voltage Line:T-Y	43 - 24
G080 5513	Harness:Fusing:Machine Or Copier:AC	69 - 25
G080 5516	Harness:AC:Switch	69 - 24
G080 5519	Harness:Dehumidifier	65 - 1
G080 5805	Bracket:Auxiliary:Peen	53 - 21
G080 5807	Lever:Door Switch	53 - 22
G080 5815	Heater Cover	77 - 15
G080 5816	Bracket:Switch:Heater	65 - 9
G080 5831	Bracket:DRB	69 - 15
G080 5832	Stay:Auxiliary:DRB	63 - 7
G080 5833	Bracket:Edge Saddle:DRB	69 - 16
G080 6012	Slide Rail:110mm	53 - 17
G080 6021	Holder:Fusing Unit:Peen	53 - 15
G080 6041	Bracket:Drawer:Fusing	51 - 6
G107 3804	Transfer Unit:Ass'y	37 - 21
G107 3898	Roller:Back Up:Ass'y	43 - 4
G107 3980	Stepper Motor:Transfer Belt:Press Fit	37 - 25
G107 4187	Bracket:Gear:Idler	47 - 11
G108 5107	Left Guide 1	71 - 3
G108 5108	Right Guide 1	71 - 4
G219 3001	Development Unit:C:M-PAC:Ass'y	35 - 3
G219 3002	Development Unit:M:M-PAC:Ass'y	35 - 4
G219 3003	Development Unit:Y:M-PACc:Ass'y	35 - 2
G222 2207	PCU Ass'y	35 - 1

Part No.	Description	Page and Index No.
G313 2782	Shield	17 - 7
G313 2782	Shield	15 - 3
G588 5140	Plug - IEEE1284 TYPE C	109 - 9
H001 2132	Stop Ring - Knob	69 - 34
H072 2236	Spacer - M12x6.2	65 - 5
H519 1157	Bushing	39 - 35

Part No.	Description	Page and Index No.
AA00 0218	Caution Decal	107 - 1
AA00 0218	Caution Decal	13 - 7
AA00 0227	Decal:Laser Diode:655	13 - 9
AA00 0227	Decal:Laser Diode:655	107 - 2
AA00 0401	Decal - High Temperature	107 - 3
AA00 0401	Decal - High Temperature	77 - 21
AA04 3298	Timing Belt:Drive:Transfer Belt	41 - 9
AA04 3559	Timing Belt - S2M370	63 - 5
AA04 3561	Timing Belt - 40S3M318	67 - 2
AA04 3562	Timing Belt - 40S3M384	67 - 30
AA04 3563	Timing Belt - 40S3M162	67 - 19
AA04 3925	Timing Belt - S2M668	67 - 14
AA06 0691	Tension Spring	21 - 11
AA06 0691	Tension Spring	19 - 10
AA06 0693	Tension Spring	21 - 27
AA06 0693	Tension Spring	19 - 24
AA06 0862	Tension Spring	65 - 3
AA06 0863	Tension Spring	67 - 15
AA06 0908	Release Spring	21 - 26
AA06 0908	Release Spring	19 - 23
AA06 0917	Tension Spring:Tension:Transfer Belt	41 - 4
AA06 0919	Tension Spring:Tightener	41 - 3
AA06 0920	Spring:Blade	37 - 9
AA06 0921	Tension Spring:Shutter	51 - 13
AA06 0931	Tension Spring:Pressure:Bias	39 - 37
AA06 0932	Tension Spring:Stripper Pawls	45 - 26
AA06 0945	Encoder Tension Spring	41 - 24
AA06 3408	Spring - 8n	29 - 14
AA06 3499	Pressure Spring	27 - 33
AA06 3568	Pressure Spring	27 - 12
AA06 3613	Compression Spring	69 - 19
AA06 3616	Spring - 8n	23 - 21
AA06 3627	Coil - Tube Fuard	31 - 6
AA06 3627	Coil - Tube Fuard	33 - 10
AA06 3638	Compression Spring	69 - 21

Part No.	Description	Page and Index No.
AA06 3656	Guide Coil - M Tube	31 - 8
AA06 3663	Compression Spring:4.9n	31 - 20
AA06 3663	Compression Spring:4.9n	33 - 5
AA06 3890	Compression Spring:Pressure:Transfer Roller	43 - 5
AA06 3890	Compression Spring:Pressure:Transfer Roller	39 - 4
AA06 3891	Compression Spring:Roller:Back Up	43 - 2
AA06 3892	Compression Spring:Earth	43 - 25
AA06 6594	Spring:Pickoff Pawl:Pressure Roller	45 - 21
AA07 1009	Slide Rail:Left:Ass'y	73 - 5
AA07 1010	Slide Rail:Right:Ass'y	73 - 11
AA08 0248	Bushing - 6mm	37 - 19
AA08 0257	Bushing - M6	61 - 2
AA08 2075	Bushing - M6	49 - 5
AA08 2101	Bushing - 6x10x6	27 - 7
AA08 2101	Bushing - 6x10x6	57 - 5
AA08 2101	Bushing - 6x10x6	61 - 9
AA08 2101	Bushing - 6x10x6	55 - 7
AA08 2101	Bushing - 6x10x6	21 - 9
AA08 2101	Bushing - 6x10x6	29 - 23
AA08 2101	Bushing - 6x10x6	41 - 6
AA08 2101	Bushing - 6x10x6	9 - 18
AA08 2101	Bushing - 6x10x6	49 - 8
AA08 2101	Bushing - 6x10x6	19 - 8
AA08 2102	Bushing - 6x10x6	21 - 16
AA08 2102	Bushing - 6x10x6	67 - 20
AA08 2102	Bushing - 6x10x6	57 - 17
AA08 2102	Bushing - 6x10x6	19 - 15
AA08 2104	Bushing - 8x12x7	21 - 32
AA08 2104	Bushing - 8x12x7	29 - 24
AA08 2125	Bushing:On-off	39 - 23
AA10 0013	Snap Ring M6	67 - 3
AA10 0014	Retaining Ring C - Separate	27 - 1
AA10 0014	Retaining Ring C - Separate	19 - 5
AA10 0014	Retaining Ring C - Separate	21 - 6
AA12 0102	Discharge Brush - Exit	49 - 23

Part No.	Description	Page and Index No.
AA12 0102	Discharge Brush - Exit	57 - 15
AA13 2218	Spacer:Bracket:On-off	39 - 20
AA13 2220	Spacer:Mm8.2:1mm	61 - 21
AA14 0655	Shaft - Paper Feed	19 - 13
AA14 0655	Shaft - Paper Feed	21 - 14
AA14 0656	Shaft - Gear	19 - 21
AA14 0656	Shaft - Gear	21 - 22
AA14 0728	Shaft:Separator:Drive	27 - 37
AA14 0833	Shaft:Positioning Pin	41 - 16
AA14 0834	Shaft:Drive:Brush Roller:Transmission	41 - 20
AA14 0836	Shaft:Positioning Pin:Right	41 - 22
AA14 3025	Stepped Screw - M3	27 - 22
AA14 3219	Stepped Screw	63 - 11
AA14 3219	Stepped Screw	11 - 35
AA14 3520	Shoulder Screw - M3	45 - 23
AA14 3716	Stepped Screw	55 - 21
AA14 3716	Stepped Screw	49 - 21
AA15 3461	Holder Seal	33 - 3
AA15 3461	Holder Seal	31 - 18
AA15 3463	Seal - Case M/Y	59 - 15
AB01 0106	Gear - 24Z	19 - 20
AB01 0106	Gear - 24Z	21 - 21
AB01 0107	Gear - 23Z	21 - 23
AB01 0107	Gear - 23Z	19 - 22
AB01 0114	Gear - Bias Roller	39 - 31
AB01 0121	Gear:Drum:Z303:M0.3	61 - 13
AB01 0122	Gear:Middle:Collar:Z140	61 - 16
AB01 0124	Gear:Idler:Brush Roller:Large	41 - 29
AB01 0125	Gear:Drive:Brush Roller:Front	41 - 5
AB01 0126	Gear - 28Z	37 - 20
AB01 0127	Gear:Idler:Brush Roller:Small	41 - 27
AB01 0128	Gear:Roller:Driven	39 - 25
AB01 0130	Gear:Drive:Brush Roller:Rear	41 - 31
AB01 1188	Gear - 21Z	21 - 5
AB01 1188	Gear - 21Z	19 - 4

Part No.	Description	Page and Index No.
AB01 1218	Gear - Rller Clutch	21 - 8
AB01 1218	Gear - Rller Clutch	19 - 7
AB01 1241	Gear - Z15	67 - 12
AB01 1387	Gear - 23Z	27 - 10
AB01 1416	Gear - 20Z	27 - 36
AB01 1417	Gear - Separation Driven	27 - 35
AB01 1418	Gear - 27Z	27 - 16
AB01 1480	Gear:Brush Roller:Front	37 - 10
AB01 1481	Gear:Idler:Cleaning Unit	37 - 11
AB01 2021	Gear:Idler:Drive	47 - 10
AB01 2022	Gear:Pressure:Drive	47 - 3
AB01 2023	Gear:Fusing	45 - 16
AB01 2024	Gear:Idler:Pressure:Exit:Z19	47 - 17
AB01 2321	Gear:Pulley:25z:30t	55 - 5
AB01 2322	Gear:Idler:29z	57 - 2
AB01 2323	Gear:Idler:19z	57 - 3
AB01 3868	Gear - 16Z	17 - 3
AB01 4037	Gear - 24Z	67 - 24
AB01 4038	Gear - 22Z	67 - 22
AB01 7540	Gear - Z28/Z29	67 - 11
AB01 7542	Gear - 15Z/30Z	67 - 18
AB01 7543	Gear - Z25/T26	67 - 6
AB01 7544	Gear - Z25/T20	67 - 27
AB01 7545	Gear - Z28/Z21	67 - 7
AB01 7633	Gear:Toner Recycling:Z105-t28	61 - 15
AB01 7634	Gear - Z18/Z29	67 - 13
AB01 7635	Gear - Z15/Z17	67 - 10
AB01 7641	Gear - Z28/T35	67 - 1
AB03 0685	Idle Pulley - M15	65 - 8
AB03 0686	Registration Timing Pulley	65 - 6
AB03 0690	Timing Pulley - T20	67 - 5
AB03 0710	Timing Pulley - 20T	67 - 23
AB03 0739	Pulley:Tightener	41 - 1
AC01 5035	Shield Glass	13 - 13
AD04 1081	Cleaning Blade:Ass'y	37 - 7

Part No.	Description	Page and Index No.
AD04 2047	Brush Roller:Cleaning	37 - 6
AD04 3081	Toner Collection Coil:Cleaning	37 - 15
AD04 7034	Entrance Seal:Cleaning	37 - 5
AE01 0048	Hot Roller Mm29	45 - 18
AE02 0142	Pressure Roller MM40	47 - 4
AE03 0044	Ball Bearing - 10x22x6	45 - 17
AE03 0050	Ball Bearing - 20x32x7	47 - 1
AE04 1009	Oil Metering Blade:Pressure Roller	47 - 21
AE04 4047	Stripper Pawls:PFA	45 - 25
AE04 4057	Pickoff Pawl:PFA	45 - 22
AE04 4061	Stripper Pawls:PFA:1	45 - 32
AF01 3006	Bottom Plate Pad	15 - 11
AF01 3006	Bottom Plate Pad	17 - 18
AF01 3016	Bottom Plate Pad	27 - 31
AF01 7023	End Fence	15 - 12
AF01 7024	End Fence - Universal	17 - 19
AF02 0404	Transport Roller	21 - 3
AF02 2135	Driven Roller - M3x16	29 - 16
AF02 3022	Driven Roller - M2xmm17	23 - 26
AF02 3023	Driven Roller - M3xmm17	23 - 22
AF03 0049	Pick-up Roller	27 - 11
AF03 0085	Paper Feed Roller - Pickup	19 - 3
AF03 0085	Paper Feed Roller - Pickup	21 - 4
AF03 1046	Feed Roller - Manual Feed	27 - 2
AF03 1085	Paper Feed Roller - Feed	19 - 6
AF03 1085	Paper Feed Roller - Feed	21 - 7
AF03 2046	Separation Roller - Manual Feed	27 - 3
AF03 2085	Paper Feed Roller - Separate	19 - 28
AF03 2085	Paper Feed Roller - Separate	21 - 29
AF04 0592	Exit Roller:FU	49 - 19
AF04 0593	Roller:Driven:FU	49 - 14
AF04 0595	Roller:Driven:Connecting	49 - 33
AF04 0607	Transport Roller:Exit:Vertical Transport	49 - 15
AF04 0608	Transport Roller:Floppy Disk	57 - 11
AF04 0609	Exit Roller:Floppy Disk	55 - 11

Part No.	Description	Page and Index No.
AG07 0020	Magnet Catch:37n	49 - 3
AG07 1011	Magnet Catch	77 - 9
AG07 1011	Magnet Catch	11 - 19
AH01 0009	Rubber Pad - H5	9 - 23
AW01 0048	Photosensor - GP2A28N1	29 - 6
AW01 0098	Photointerrupter - GP2A231LRSA	29 - 11
AW02 0069	Photointerruptor	23 - 18
AW02 0120	Photointerruptor - Flat	21 - 12
AW02 0120	Photointerruptor - Flat	75 - 16
AW02 0120	Photointerruptor - Flat	61 - 7
AW02 0120	Photointerruptor - Flat	19 - 11
AW02 0120	Photointerruptor - Flat	67 - 31
AW02 0120	Photointerruptor - Flat	57 - 7
AW02 0120	Photointerruptor - Flat	27 - 26
AW02 0120	Photointerruptor - Flat	51 - 8
AW02 0121	Photointerruptor - Square	73 - 8
AW02 0121	Photointerruptor - Square	57 - 16
AW02 0132	Optics Sensor:Toner End Sensor	31 - 22
AW02 0132	Optics Sensor:Toner End Sensor	33 - 8
AW02 0136	Photointerruptor:Set Sensor	77 - 13
AW10 0065	Thermistor - 103AT-4	13 - 6
AW10 0077	Thermistor:Fusing	45 - 15
AW10 0083	Thermistor:Pressure	47 - 7
AW14 0009	Humidity Sensor - RHU-232	31 - 14
AW50 0023	Push Switch	65 - 15
AW50 0023	Push Switch	63 - 10
AW50 0023	Push Switch	31 - 17
AW50 0025	Set Sensor - Collection Bottle	73 - 10
AX06 0278	Polygon Mirror Motor	13 - 2
AX20 0134	Magnetic Clutch - 245mn·m	27 - 17
AX20 0220	Magnetic Clutch - Registration	67 - 4
AX20 0221	Magnetic Clutch - Paper Feed	67 - 21
AX20 0244	Magnetic Clutch - Development	61 - 10
AX40 0109	Heater - 120V 9W	77 - 20
AX40 0110	Heater - 230V 9W	77 - 20

Part No.	Description	Page and Index No.
AX43 0103	Fusing Lamp - 120V 390W	47 - 5
AX43 0104	Fusing Lamp - 230V 390W	47 - 5
AX44 0169	Heater:120V:700W	45 - 12
AX44 0176	Heater:230V:700W	45 - 12
AX64 0103	Fan Motor - DC2.4W	69 - 7
AX64 0146	Fan:MM60:Axial	69 - 2
AX64 0146	Fan:MM60:Axial	73 - 14
AX64 0154	Fan:15mm:24V	69 - 22
AZ23 0133	Power Supply Unit - Main EU/AA/CHN J-P3	69 - 18
AZ23 0136	Sub Power Supply Unit DOM/NA	65 - 16
AZ23 0137	Power Supply Unit - Sub EU/AA J-P3	65 - 16
AZ23 0144	Main Power Supply Unit DOM/NA	69 - 18
AZ32 0126	Power Pack:CB	69 - 11
AZ32 0130	Power Pack:Tpacl:C1	43 - 23
GA00 0028	Decal:Fusing:Warning	45 - 33
GA00 0028	Decal:Fusing:Warning	107 - 6
GA00 0030	Decal:Oil Application Unit:Right	77 - 3
GA00 0030	Decal:Oil Application Unit:Right	107 - 7
GA00 1010	Decal - Grip B2	107 - 8
GA00 1010	Decal - Grip B2	49 - 27
GA00 3009	Sheet - Toner Supply	9 - 10
GA00 3010	Decal - Manual Feed	25 - 8
GA00 3010	Decal - Manual Feed	107 - 9
GA00 3014	Decal - Paper Tray	107 - 10
GA00 3014	Decal - Paper Tray	9 - 32
GA00 3016	Decal - Y Toner Supply	107 - 11
GA00 3016	Decal - Y Toner Supply	31 - 23
GA00 3017	Decal - M Toner Supply	107 - 11
GA00 3017	Decal - M Toner Supply	31 - 25
GA00 3018	Decal - C Toner Supply	107 - 11
GA00 3018	Decal - C Toner Supply	31 - 24
GA00 3019	Decal - K Toner Supply	107 - 11
GA00 3019	Decal - K Toner Supply	33 - 12
GA00 3025	Decal - Drum Stay	11 - 12
GA00 3025	Decal - Drum Stay	107 - 12

Part No.	Description	Page and Index No.
GA00 3029	Decal - Vertical Transport	107 - 13
GA00 3029	Decal - Vertical Transport	53 - 4
GA00 3030	Decal - Shielding Plate Y	33 - 27
GA00 3030	Decal - Shielding Plate Y	107 - 14
GA00 3031	Decal - Shielding Plate M	33 - 31
GA00 3031	Decal - Shielding Plate M	107 - 14
GA00 3032	Decal - Shielding Plate C	107 - 14
GA00 3032	Decal - Shielding Plate C	33 - 29
GA00 3033	Decal - Shielding Plate K	107 - 14
GA00 3033	Decal - Shielding Plate K	33 - 25
GA00 3034	Decal - Energystar	107 - 15
GA00 3034	Decal - Energystar	9 - 31
GA00 3037	Decal - Power Source	107 - 16
GA00 3038	Decal - Inkjet Paper Caution	9 - 11
GA00 3038	Decal - Inkjet Paper Caution	107 - 17
GA00 3044	Decal - Vertical Transport 2	27 - 29
GA00 3044	Decal - Vertical Transport 2	107 - 18
GA00 3044	Decal - Vertical Transport 2	25 - 17
GA00 3055	Decal:Fusing Unit:Positioning Display	107 - 19
GA00 3055	Decal:Fusing Unit:Positioning Display	53 - 16
GA00 3066	Decal:Paper Tray:No.1	15 - 14
GA00 3066	Decal:Paper Tray:No.1	107 - 20
GA00 3067	Decal:Paper Tray:No.2:Left	17 - 24
GA00 3067	Decal:Paper Tray:No.2:Left	107 - 21
GA00 3068	Decal:Paper Tray:No.2:Right	17 - 2
GA00 3068	Decal:Paper Tray:No.2:Right	107 - 22
GA00 3069	Decal:Toner Supply:English	9 - 33
GA00 3069	Decal:Toner Supply:English	107 - 23
GA00 3091	Decal - Grip B1 PS	53 - 3
GA00 3091	Decal - Grip B1 PS	107 - 25
GA00 3142	Decal:Drum Stay	107 - 24
GA01 2000	Upper Filter	11 - 1
GA01 2001	Lower Filter	11 - 2
GA06 0057	Tension Spring - 9.7n	47 - 20
GA16 2002	Sheet:Cover:Front	9 - 34

Part No.	Description	Page and Index No.
0313 0060B	Philips Pan Head Screw - M3x6	29 -102
0353 0040B	Screw - M3X4	51 -104
0353 0040B	Screw - M3X4	47 -108
0353 0040B	Screw - M3X4	57 -104
0353 0060H	Screw:M3x6	71 -103
0353 0080B	Screw - M3X8	55 -106
0354 0060B	Screw - M4X6	15 -103
0354 0060B	Screw - M4X6	17 -104
0360 3006B	Screw - M3X6	23 -103
0450 3006B	Tapping Screw - M3x6	29 -108
0450 3006B	Tapping Screw - M3x6	27 -102
0450 3006B	Tapping Screw - M3x6	55 -104
0450 3008B	Tapping Screw - M3x8	37 -105
0450 3008B	Tapping Screw - M3x8	33 -104
0450 3008B	Tapping Screw - M3x8	23 -104
0450 3008B	Tapping Screw - M3x8	27 -103
0450 3008B	Tapping Screw - M3x8	47 -101
0450 3008B	Tapping Screw - M3x8	73 -109
0450 3008B	Tapping Screw - M3x8	43 -101
0450 3008B	Tapping Screw - M3x8	21 -101
0450 3008B	Tapping Screw - M3x8	19 -103
0450 3008B	Tapping Screw - M3x8	9 -102
0450 3008B	Tapping Screw - M3x8	45 -105
0450 3008B	Tapping Screw - M3x8	31 -102
0450 3008B	Tapping Screw - M3x8	39 -102
0450 3008B	Tapping Screw - M3x8	11 -102
0450 3008B	Tapping Screw - M3x8	61 -102
0450 3008B	Tapping Screw - M3x8	69 -103
0450 3008B	Tapping Screw - M3x8	49 -102
0450 3008B	Tapping Screw - M3x8	17 -102
0450 3008H	Tapping Screw - M3x8	27 -101
0450 3008H	Tapping Screw - M3x8	53 -102
0450 3008H	Tapping Screw - M3x8	25 -102
0450 4008B	Tapping Screw - 4x8	15 -101
0450 4008B	Tapping Screw - 4x8	17 -105

Part No.	Description	Page and Index No.
0450 4025B	Tapping Screw With Washer - M4x25	73 -110
0450 4035B	Phillips Tapping Screw - M4x35	69 -106
0451 3005W	Tapping Screw - 3x5	61 -104
0451 3006B	Tapping Screw - M3x6	31 -101
0451 3006B	Tapping Screw - M3x6	75 -102
0451 3006B	Tapping Screw - M3x6	55 -101
0451 3006B	Tapping Screw - M3x6	27 -104
0451 3006B	Tapping Screw - M3x6	47 -102
0451 3006B	Tapping Screw - M3x6	69 -101
0451 3006B	Tapping Screw - M3x6	33 -102
0451 3006B	Tapping Screw - M3x6	61 -101
0451 3006B	Tapping Screw - M3x6	67 -101
0451 3006B	Tapping Screw - M3x6	29 -101
0451 3006B	Tapping Screw - M3x6	37 -101
0451 3006B	Tapping Screw - M3x6	51 -102
0451 3006B	Tapping Screw - M3x6	11 -105
0451 3006B	Tapping Screw - M3x6	41 -101
0451 3006B	Tapping Screw - M3x6	49 -101
0451 3006B	Tapping Screw - M3x6	57 -102
0451 3006B	Tapping Screw - M3x6	73 -101
0451 3006B	Tapping Screw - M3x6	39 -101
0451 3006B	Tapping Screw - M3x6	71 -101
0451 3006B	Tapping Screw - M3x6	77 -102
0451 3006B	Tapping Screw - M3x6	19 -106
0451 3006B	Tapping Screw - M3x6	45 -102
0451 3006B	Tapping Screw - M3x6	63 -102
0451 3006B	Tapping Screw - M3x6	21 -106
0451 3006B	Tapping Screw - M3x6	23 -101
0451 3006B	Tapping Screw - M3x6	59 -101
0451 3006B	Tapping Screw - M3x6	9 -104
0451 3006B	Tapping Screw - M3x6	65 -101
0451 3006H	Tapping Screw - 3x6	63 -106
0451 3006H	Tapping Screw - 3x6	71 -102
0451 3008B	Tapping Screw - M3x8	33 -101
0451 3008B	Tapping Screw - M3x8	59 -102

Part No.	Description	Page and Index No.
0451 3008B	Tapping Screw - M3x8	37 -103
0451 3008B	Tapping Screw - M3x8	31 -103
0451 3008B	Tapping Screw - M3x8	63 -101
0451 3008B	Tapping Screw - M3x8	19 -105
0451 3008B	Tapping Screw - M3x8	21 -105
0451 3008H	Tapping Screw - M3x8	37 -104
0451 3008H	Tapping Screw - M3x8	11 -101
0451 3008H	Tapping Screw - M3x8	9 -101
0451 3010B	Tapping Screw - M3x10	55 -107
0451 3010B	Tapping Screw - M3x10	73 -102
0451 3010B	Tapping Screw - M3x10	13 -102
0451 3014B	Tapping Screw - M3-14	23 -108
0451 3014B	Tapping Screw - M3-14	69 -110
0451 4006B	Tapping Screw - 4x6	77 -103
0452 3006B	Tapping Screw - M3x6	55 -105
0452 3008B	Tapping Screw - M3x8	55 -103
0452 3008B	Tapping Screw - M3x8	19 -101
0452 3008B	Tapping Screw - M3x8	17 -101
0452 3008B	Tapping Screw - M3x8	13 -101
0452 3008B	Tapping Screw - M3x8	11 -106
0452 3010B	Tapping Bind Screw - M3x10	13 -103
0453 3006B	Tapping Screw - M3x6	51 -103
0453 3006B	Tapping Screw - M3x6	57 -103
0633 0120G	Parallel Pin - 3x12	41 -110
0720 0030E	Retaining Ring - M3	53 -103
0720 0040E	Retaining Ring - M4	55 -109
0720 0040E	Retaining Ring - M4	67 -107
0720 0040E	Retaining Ring - M4	47 -107
0720 0040E	Retaining Ring - M4	29 -104
0720 0040E	Retaining Ring - M4	45 -107
0720 0040E	Retaining Ring - M4	27 -106
0720 0040E	Retaining Ring - M4	39 -104
0720 0040E	Retaining Ring - M4	37 -107
0720 0040E	Retaining Ring - M4	23 -102
0720 0040E	Retaining Ring - M4	41 -102

Part No.	Description	Page and Index No.
0720 0040E	Retaining Ring - M4	21 -103
0720 0040E	Retaining Ring - M4	9 -103
0720 0040E	Retaining Ring - M4	19 -104
0720 0040E	Retaining Ring - M4	57 -107
0720 0060E	Retaining Ring - M6	39 -103
0720 0060E	Retaining Ring - M6	41 -103
0720 0060E	Retaining Ring - M6	15 -102
0720 0060E	Retaining Ring - M6	29 -105
0720 0060E	Retaining Ring - M6	53 -104
0720 0060E	Retaining Ring - M6	21 -104
0720 0060E	Retaining Ring - M6	17 -103
0725 0100E	Retaining Ring C - M10	45 -106
0725 0200E	Retaining Ring C - M20	47 -106
0740 3508	Ball Bearing -8x14x4	39 -106
0801 0153	Screw:UNC:#6-32	47 -110
0802 5286	Tapping Screw	69 -105
0802 5291	Tapping Screw:Round Point:M3x6	57 -101
0802 5291	Tapping Screw:Round Point:M3x6	51 -101
0802 5291	Tapping Screw:Round Point:M3x6	77 -101
0802 5291	Tapping Screw:Round Point:M3x6	65 -102
0802 5291	Tapping Screw:Round Point:M3x6	53 -101
0802 5291	Tapping Screw:Round Point:M3x6	69 -102
0802 5291	Tapping Screw:Round Point:M3x6	25 -101
0802 5291	Tapping Screw:Round Point:M3x6	27 -105
0802 5291	Tapping Screw:Round Point:M3x6	55 -102
0802 5291	Tapping Screw:Round Point:M3x6	75 -101
0802 5292	Tapping Screw:Round Point:M3x8	29 -103
0802 5292	Tapping Screw:Round Point:M3x8	11 -104
0802 5292	Tapping Screw:Round Point:M3x8	65 -103
0804 6075	Hexagonal Bolt - M3x8	65 -116
0804 6075	Hexagonal Bolt - M3x8	47 -104
0804 6075	Hexagonal Bolt - M3x8	45 -101
0804 6075	Hexagonal Bolt - M3x8	37 -102
0805 0089	Retaining Ring - M4	67 -102
0805 0089	Retaining Ring - M4	61 -107

Part No.	Description	Page and Index No.
0805 0089	Retaining Ring - M4	21 -102
0805 0089	Retaining Ring - M4	19 -102
0805 0089	Retaining Ring - M4	49 -103
0805 0092	Retaining Ring - 3m	49 -104
0805 3534	Ball Bearing 6x12x4	39 -105
0805 3534	Ball Bearing 6x12x4	41 -104
0805 3535	Ball Bearing 8x14x4	41 -105
0951 4008B	Philips Screw With Washer - M4x8	61 -103
0954 3010B	Philips Screw - M3x10	45 -104
0954 3010B	Philips Screw - M3x10	47 -103
0957 3008B	Philips Screw - M3x8	45 -103
0957 3008B	Philips Screw - M3x8	47 -105
1102 5303	Connector - 4P	87 -101
1102 5304	Connector - 5P	87 -102
1102 6245	Relay Connector - 2P	47 -109
1102 6246	Relay Connector - 4P	69 -109
1102 6295	Connector - 2P	101 -102
1102 6297	Connector - 4P	101 -103
1102 7093	Connector - 53375-0610	101 -104
1102 7094	Connector - 12P	101 -105
1102 7389	Connector - FH12-50S-0.5SV	87 -103
1102 7460	Connector - FH12-50S-0.5SH	101 -106
1102 7615	Connector - B8B-XH-A	87 -104
1102 8189	DIMM Connector - 54534-1440	87 -105
1102 8469	Connector - 55447-0510	101 -107
1102 8473	Connector - 55447-0910	101 -108
1102 8474	Connector - 5 P	101 -109
1102 8478	Connector - 55447-1410	101 -110
1102 8481	Connector - 55447-1760	101 -111
1102 8487	Connector - 55451-2610	101 -112
1102 8489	Connector - 55451-3010	101 -113
1102 8491	Connector - 55451-3410	101 -114
1102 8492	Connector - 55451-3610	101 -115
1102 8493	Connector - 55451-3810	101 -116
1102 8494	Connector - 55451-4010	101 -117

Part No.	Description	Page and Index No.
1102 8508	Connector - USB UBB-4R-D10T-1	87 -106
1102 8519	Connector - MI2 99RH139-9236	63 -103
1102 8534	Connector - QR/P17-14S-B	65 -111
1102 8535	Connector - QR/P17-14P-A	65 -107
1102 9079	Connector - RHM-88PL-SDK11-1	87 -107
1102 9091	Connector - 406549-1	87 -108
1102 9113	Connector - 1-353297-0	87 -109
1102 9336	Connector:FPS009-2300-0	87 -110
1102 9386	Connector:Drawer:55949-2631	65 -108
1102 9387	Connector:Drawer:51405-2611	41 -109
1102 9535	Connector - 200PS-JUK-G-B	87 -111
1102 9606	Connector - 200RS-JUK-GB	101 -118
1102 9689	Connector 2-440091-4	87 -112
1104 0588	DIP Socket - 28p	87 -113
1104 0589	DIP Socket - 32p	87 -114
1104 0764	IC Socket - 8 PIN	101 -119
1105 0367	Spacer	71 -107
1105 0367	Spacer	69 -108
1105 0487	Harness Clamp	63 -104
1105 0487	Harness Clamp	73 -104
1105 0487	Harness Clamp	71 -104
1105 0487	Harness Clamp	31 -105
1105 0487	Harness Clamp	29 -107
1105 0487	Harness Clamp	23 -107
1105 0487	Harness Clamp	67 -105
1105 0487	Harness Clamp	65 -105
1105 0488	Harness Clamp	63 -109
1105 0488	Harness Clamp	73 -107
1105 0488	Harness Clamp	65 -110
1105 0488	Harness Clamp	67 -103
1105 0488	Harness Clamp	53 -106
1105 0489	Harness Clamp - LWS 1316	73 -105
1105 0489	Harness Clamp - LWS 1316	65 -109
1105 0489	Harness Clamp - LWS 1316	71 -105
1105 0489	Harness Clamp - LWS 1316	67 -106

Part No.	Description	Page and Index No.
1105 0490	Harness Clamp - IWS-2218	71 -106
1105 0490	Harness Clamp - IWS-2218	63 -110
1105 0490	Harness Clamp - IWS-2218	65 -106
1105 0511	Harness Clamp - LWS-0306ZC	55 -108
1105 0511	Harness Clamp - LWS-0306ZC	53 -105
1105 0511	Harness Clamp - LWS-0306ZC	29 -109
1105 0511	Harness Clamp - LWS-0306ZC	77 -104
1105 0511	Harness Clamp - LWS-0306ZC	67 -104
1105 0511	Harness Clamp - LWS-0306ZC	65 -104
1105 0511	Harness Clamp - LWS-0306ZC	57 -105
1105 0511	Harness Clamp - LWS-0306ZC	41 -106
1105 0511	Harness Clamp - LWS-0306ZC	63 -107
1105 0511	Harness Clamp - LWS-0306ZC	31 -104
1105 0511	Harness Clamp - LWS-0306ZC	61 -105
1105 0511	Harness Clamp - LWS-0306ZC	51 -105
1105 0511	Harness Clamp - LWS-0306ZC	37 -106
1105 0511	Harness Clamp - LWS-0306ZC	73 -106
1105 0511	Harness Clamp - LWS-0306ZC	69 -107
1105 0511	Harness Clamp - LWS-0306ZC	23 -105
1105 0516	Clamp	63 -105
1105 0516	Clamp	61 -108
1105 0516	Clamp	53 -107
1105 0516	Clamp	73 -108
1105 0516	Clamp	65 -112
1105 0516	Clamp	41 -108
1105 0518	Edge Saddle - LES-1010	65 -115
1105 0518	Edge Saddle - LES-1010	75 -104
1105 0522	Edge Saddle - LES0510	33 -103
1105 0522	Edge Saddle - LES0510	29 -106
1105 0522	Edge Saddle - LES0510	41 -107
1105 0522	Edge Saddle - LES0510	77 -105
1105 0522	Edge Saddle - LES0510	31 -106
1105 0522	Edge Saddle - LES0510	61 -106
1105 0522	Edge Saddle - LES0510	65 -113
1105 0522	Edge Saddle - LES0510	73 -103

Part No.	Description	Page and Index No.
1105 0522	Edge Saddle - LES0510	63 -108
1105 0522	Edge Saddle - LES0510	75 -103
1105 0522	Edge Saddle - LES0510	27 -107
1105 0522	Edge Saddle - LES0510	57 -106
1105 0544	Edge Saddle:Les-2017	69 -104
1105 0551	Clamp:Les-0505	23 -106
1105 0568	Clamp:LWSS-0504	29 -110
1107 0958	Fuse:434003.NR	101 -120
1107 0989	Fuse - Ke10	101 -121
1107 0998	Fuse - TR5T 382/5A	87 -115
1107 1006	Fuse - Ke40	101 -122
1107 1073	Leak Breaker 100-240V/20A	69 -111
1150 0364	Power Supply Code- 250V 10A 2.5M	9 -105
1150 0366	Power Supply Code:125V:15A:2.5M	9 -105
1204 1385	Push Switch	87 -116
1204 1422	DIP Switch - 51D-0401	101 -123
1204 2521	Micro Switch	23 -109
1204 2533	Switch - AJ76200PZ02	11 -103
1204 2623	Rocker Switch:Aj7100b	65 -114
1204 2637	DIP Switch - 71D-04	87 -117
1400 0556	Transistor - DTB143EK	101 -124
1400 0767	Transistor:DTA114EUA	101 -125
1400 0810	Transistor:DTC114EUC	101 -126
1400 0855	Transistor - 2SA1235A	101 -127
1401 1136	FET - HAT1020R	87 -118
1401 1209	IC - HAT2093R	87 -119
1402 0595	Diode Array - DAN202K	101 -128
1402 0596	Diode-array - DAP202K	101 -129
1402 0708	Diode - 1SS272	101 -130
1402 1265	Diode - RB411D	87 -120
1402 1336	Diode - 1SS355	101 -131
1402 1343	Diode - RB106L-40	87 -121
1402 1547	Diode - RB491D	87 -122
1402 1662	Diode:PTZ6.2B	101 -132
1402 1663	Diode - ZTP12B	101 -133

Part No.	Description	Page and Index No.
1403 0907	Diode - SML-310LT	101 -134
1403 0953	LED - SML-310MT	101 -135
1403 0978	LED - SML-310DT	87 -123
1403 1033	LED - SML-310YT	101 -136
1407 1535	IC - TD62308AP	101 -137
1407 1596	TTLIC - SN74LS14NS	101 -138
1407 1600	TTLIC - SN74LS244NS	101 -139
1407 2187	TTLIC - SN74LS07NS	101 -140
1407 2219	IC - TD62003AP	101 -141
1407 3281	IC - TC74HCU04AF	101 -142
1407 4687	IC - TA8083F	101 -143
1407 5151	IC - MBM29F160TE70TN	101 -144
1407 5161	CPU- HD64F2633WF25	101 -145
1407 5255	Clock Generator - FS741BZB	101 -146
1407 5300	CMOS Logic - 74LVC16244A TSSOP	87 -124
1407 5320	CMOS Logic 74LVC374A TSSOP	87 -125
1407 5321	CMOS Logic - 74LVCH16374A TSSOP	87 -126
1407 5343	IC - SN74LV240APW	101 -147
1407 5344	IC - SN74LV02APW	101 -148
1407 5346	IC - SN74LS74ANS	101 -149
1407 5347	IC - SN74LV08APW	101 -150
1407 5351	IC - SN74LV14APW	101 -151
1407 5353	IC - SN74LV244APW	87 -127
1407 5353	IC - SN74LV244APW	101 -152
1407 5364	IC - SN74AHCT244PW	87 -128
1407 5376	IC - SN74LV32APW	101 -153
1407 5469	IC - SN74LV07APW	101 -154
1407 5483	IC - SN74AHC1G125DCK	87 -129
1407 5509	IC - SN74AHCT08PW	101 -155
1407 5523	ROM - I2C SOP 3V	87 -130
1407 5528	IC - SN74LVC126APW	87 -131
1407 5538	Cpu - D6432633wg00f	101 -156
1407 5604	IC - SN74LVC16245ADGG	87 -132
1407 5712	IC:SN74LV07ANS	87 -133
1407 5713	IC:SN74LV06APW	87 -134

Part No.	Description	Page and Index No.
1407 5717	IC - ICS960001AF	87 -135
1407 5733	IC:SN74ALVC244PW	87 -136
1407 5751	EEPROM:M24C64-WBN6(REV.B)	71 -108
1407 5772	IC - SN74AHC2G32HDCT	87 -137
1407 5868	Ethernet Cont LSI - DP83847ALQA56A	87 -138
1407 6055	IC - A3968SLB	101 -157
1407 6062	USB2.0 - KL5BUDV003CCFP	87 -139
1407 6101	IC - SN74LVC2G17DCK	87 -140
1407 6131	IC - SN74AHCT1G125DCK	87 -141
1407 6135	CPU - RM7065C-600R-REV1.1	87 -142
1407 6187	CMOS Logic - SN74LVC1G07DCK	87 -143
1408 0810	IC - BA10358F	101 -158
1408 1065	Comparator - BA10339F	101 -159
1408 1082	D/A Converter - M62354FP	101 -160
1408 1095	IC - BA10324AF	101 -161
1408 1535	Transistor Array - M54585P	101 -162
1408 1550	IC - LM2902PW	101 -163
1408 1555	Regulator - L1087MP-3.3	101 -164
1408 1668	IC - REGULATOR-R1170H251B	87 -144
1408 1750	IC - R3112Q231A	87 -145
1408 1771	IC:R3112N421C	101 -165
1408 1778	IC:R3112Q101A	87 -146
1408 1781	IC - R3112N421A	101 -166
1408 1782	Series Regulator - RN5RZ36B-FA	87 -147
1408 1790	IC - R3112Q301A	87 -148
1408 1815	IC - R3112Q151A	87 -149
1408 1826	IC - R3112Q421A	87 -150
1408 1850	Regulator - R1170H181B	87 -151
1408 1945	IC - SI-85	87 -152
1503 0842	Oscillator - 14.31818MHZ	87 -153
1503 0885	Crystal Oscillator - 10Mhz	101 -167
1503 0903	Crystal Oscillator- 12.5Mhz	101 -168
1503 0935	Oscillator - 25MHZ	87 -154
1503 0946	Crystal Oscillator - 9.8304Mhz	101 -169
1503 1007	Crystal Oscillator - 25Mhz	101 -170

Part No.	Description	Page and Index No.
1503 1138	Crystal Oscillator - 48MHZ	87 -155
1503 1182	Crystal Oscillator - 16.5Mhz	101 -171
1503 1202	Crystal Oscillator - 25MHZ	87 -156
1601 7751	Resistor - 4.7K Ω \pm 5%	87 -157
1601 7752	Resistor Array - 10K Ω \pm 5%	87 -158
1601 7759	Resistor Array - 100K Ω \pm 5% 0.06	87 -159
1601 7877	Resistor Array 4.7k Ω \pm 5% 1/32W	101 -172
1601 7887	Resistor Array - 10K Ω \pm 5% 1/32W	101 -173
1601 7898	Resistor Array	101 -174
1601 7898	Resistor Array	87 -160
1601 7900	Resistor Array - 0 Ω \pm 5%	87 -161
1601 7913	Resistor 22 Ω \pm 5% 1/32W	87 -162
1601 7914	Resistor Array - 47 Ω \pm 5%	87 -163
1601 7943	Resistor Array - 68 Ω \pm 5% 1/32W	101 -175
1601 7959	Resistor	101 -176
1601 7981	Resistor Array - 100K Ω \pm 5% 1/16W	101 -177
1602 7032	Filter - EMI - 2200PF	101 -178
1604 4526	Capacitor - 3.3 μ F \pm 20% 20V	87 -164
1604 4687	Capacitor - 100 μ F \pm 20% 6.3V	87 -165
1604 4918	Capacitor - 150 μ F \pm 20% 6.3V	87 -166
1604 4932	Capacitor - 100 μ F \pm 20% 25V	87 -167
1604 4992	Capacitor - 100 μ F \pm 20% 10V	87 -168
1604 5064	Capacitor 47 μ F: \pm 20%:50V	101 -179
1604 5065	Capacitor 10 μ F: \pm 20%:50V	101 -180
1604 5066	Capacitor 100 μ F: \pm 20%:50V	101 -181
1604 5067	Capacitor 10 μ F: \pm 20%:35V	101 -182
1604 5068	Capacitor:47 μ F: \pm 20%:25V	101 -183
1604 5069	Capacitor 47 μ F: \pm 20%:16V	101 -184
1604 5070	Capacitor:100 μ F: \pm 20%:10V	101 -185
1604 5071	Capacitor 47 μ F: \pm 20%:6.3V	101 -186
1604 5072	Capacitor 22 μ F: \pm 20%:6.3V	101 -187
1604 5187	Capacitor - 10 μ F \pm 20% 16V	87 -169
1605 0976	Capacitor - 1 μ F +80% -20% 10V	87 -170
1605 1025	Capacitor - 1000pF \pm 10% 2KV	87 -171
1605 1081	Capacitor - 10 μ F +80-20% 25V	87 -172

Part No.	Description	Page and Index No.
1605 1124	Capacitor - 4.7μF +80 -20% 10V	87 -173
1605 1148	Capacitor - 0.1μF +80-20% 50V	101 -188
1605 1184	Capacitor 7pf±0.5pf:50V	101 -189
1605 1197	Capacitor - 6PF ±0.5pF 50V	87 -174
1605 1200	Capacitor - 10PF ±0.5pF 50V	87 -175
1605 1202	Capacitor - 15pF ±5% 50V	87 -176
1605 1205	Capacitor - 33pF ±5% 50V	87 -177
1605 1206	Capacitor - 47pF ±5% 50V	87 -178
1605 1207	Capacitor - 68pF ±5% 50V	87 -179
1605 1208	Capacitor:100pf:±5%:50V	87 -180
1605 1209	Capacitor - 150pF ±5% 50V	87 -181
1605 1211	Capacitor - 220pF ±10% 50V	87 -182
1605 1212	Capacitor - 470pF ±10% 50V	87 -183
1605 1214	Capacitor - 1000pF ±10% 50V	87 -184
1605 1216	Capacitor - 2200PF±10%50V	87 -185
1605 1221	Capacitor - 0.1 μF+80-20%16V	87 -186
1605 1241	Capacitor - 4.7μF ±10% 25V	87 -187
1605 1282	Capacitor:22μF:+80-20%:10V	87 -188
1605 1283	Capacitor - 680pF ±10% 50V	101 -190
1605 1285	Capacitor - 3300pF ±10% 50V	101 -191
1605 1285	Capacitor - 3300pF ±10% 50V	87 -189
1605 1288	Capacitor - 220pF ±5% 50V	87 -190
1605 1295	Capacitor:10μF:+80-20%:10v	87 -191
1605 1296	Capacitor - 330pF ±10% 50V	87 -192
1605 1302	Capacitor 0.033μF ±10% 10V	87 -193
1605 1303	Capacitor - 0.01μF +80-20% 50V	87 -194
1605 1353	Capacitor - 0.1μF ±10% 25V	101 -192
1605 1358	Capacitor - 10μF ±10% 10V	87 -195
1605 1387	Capacitor - 0.68μF ±10% 10V	101 -193
1607 0508	Ferrite Coer	9 -106
1607 1002	IC - NFM60R30T222	101 -194
1607 1014	EMI Filter - BLM11P600SPB	87 -196
1607 1020	Filter - Mmz1608y121b	101 -195
1607 1051	Filter -FBMJ2125HS420	87 -197
1607 1228	Inductor - SLF7045-4R7M2R0	87 -198

Part No.	Description	Page and Index No.
1607 1275	Filter - Acf321825-221	101 -196
1607 1276	Filter - Acf321825-331	101 -197
1607 1285	Filter NFM2012P13C105F	87 -199
1607 1296	Filter - Mmz1608s601a	101 -198
1607 1351	Filter BLM21PG221SN1B	87 -200
1607 1362	Coil - ACM3225-800-2P	87 -201
1607 1509	Transformer - TLA-6T118IF	87 -202
1607 1549	Inductor - RLF12545-100M5R1	87 -203
1609 0005	Registor:33 Ω:±5%:1/16W	87 -204
1609 0005	Registor:33 Ω:±5%:1/16W	101 -199
1609 0006	Registor:10k Ω:±5%:1/16W	101 -200
1609 0006	Registor:10k Ω:±5%:1/16W	87 -205
1609 0007	Resistor - 68Ω ±5% 1/16W	87 -206
1609 0007	Resistor - 68Ω ±5% 1/16W	101 -201
1609 0008	Registor:4.7k Ω:±5%:1/16W	87 -207
1609 0008	Registor:4.7k Ω:±5%:1/16W	101 -202
1609 0015	Resistor - 1KΩ ±5%:1/16W	101 -203
1609 0017	Registor:150 Ω:±5%:1/16W	101 -204
1609 0025	Resistor - 100Ω ±5% 1/16W	101 -205
1609 0025	Resistor - 100Ω ±5% 1/16W	87 -208
1609 0026	Resistor - 47Ω ±5% 1/16W	87 -209
1609 0027	Resistor - 100KΩ±5% 1/16W	101 -206
1609 0027	Resistor - 100KΩ±5% 1/16W	87 -210
1610 1347	Resistor - 0.22 Ω ±5% 1/4W	101 -207
1610 1485	Resistor - 1.2K Ω ±0.5% 1/16W	87 -211
1610 1486	Resistor - 2KΩ ±0.5% 1/16W	87 -212
1610 1506	Resistor - 1K Ω ±0.5% 1/16W	87 -213
1610 1630	Resistor - 0.05 Ω ±5% 1/2W	87 -214
1610 1693	Resistor - 330Ω±5% 1/1W	101 -208
1610 1740	Resistor - 220 Ω ±0.5% 1/16W	87 -215
1631 0000	Resistor - 0Ω 1/4W	101 -209
1633 0000	Resistor - 0 Ω 1/10W	87 -216
1634 0000	Resistor - 0 Ω 1/16W	87 -217
1634 0000	Resistor - 0 Ω 1/16W	101 -210
1644 1101	Resistor - 100μF ±20%:16V	87 -218

Part No.	Description	Page and Index No.
1650 2680	Resistor - 68Ω ±5% 1/4W	101 -211
1650 3750	Resistor - 75Ω ±5% 1/8W	87 -219
1650 3821	Resistor - 820Ω ±5% 1/8W	101 -212
1650 4100	Resistor - 10Ω ±5% 1/10W	101 -213
1650 4101	Resistor - 100Ω±5%1/10W	101 -214
1650 4102	Resistor - 1KΩ ±5% 1/10W	101 -215
1650 4103	Resistor - 10KΩ ±5% 1/10W	101 -216
1650 4104	Resistor - 100KΩ±5%1/10W	101 -217
1650 4105	Resistor - 1MΩ ±5% 1/10W	101 -218
1650 4132	Resistor - 1.3K Ω ±5% 1/10W 1608	101 -219
1650 4150	Resistor - 15Ω ±5% 1/10W	87 -220
1650 4152	Resistor - 1.5KΩ ±5% 1/10W	101 -220
1650 4161	Resistor - 160Ω ±5% 1/10W	101 -221
1650 4162	Resistor - 1.6KΩ ±5% 1/10W	101 -222
1650 4200	Resistor - 20Ω ±5% 1/10W	87 -221
1650 4201	Resistor - 200Ω±5%1/10W	101 -223
1650 4204	Resistor - 200KΩ±5%1/10W	101 -224
1650 4222	Resistor - 2.2KΩ±5%1/10W	101 -225
1650 4223	Resistor - 22KΩ±5%1/10W	101 -226
1650 4270	Resistor 27Ω ±5% 1/10W	87 -222
1650 4302	Resistor - 3KΩ±5%1/10W	101 -227
1650 4330	Chip Resistor - 33Ω ±5% 1/10W	87 -223
1650 4330	Chip Resistor - 33Ω ±5% 1/10W	101 -228
1650 4332	Resistor - 3.3KΩ±5%1/10W	101 -229
1650 4362	Resistor - 3.6KΩ±5%1/10W	101 -230
1650 4392	Chip Resistor - 3.9kΩ±5%1/10W	101 -231
1650 4470	Resistor - 47Ω±5%1/10W	101 -232
1650 4472	Resistor - 4.7KΩ ±5% 1/10W	101 -233
1650 4511	Resistor - 510Ω±5%1/10W	101 -234
1650 4563	Resistor - 56KΩ±5%1/10W	101 -235
1650 4680	Resistor - 68Ω±5%1/10W	101 -236
1650 4681	Resistor - 680Ω ±5% 1/10W	101 -237
1650 4682	Resistor - 6.8KΩ ±5% 1/10W	101 -238
1650 4750	Resistor - 75Ω±5%1/10W	101 -239
1650 5100	Chip Resistor - 10 Ω±5%1/16W	87 -224

Part No.	Description	Page and Index No.
1650 5101	Chip Resistor - 100 Ω±5%1/16W	87 -225
1650 5102	Chip Resistor - 1kΩ±5%1/16W	87 -226
1650 5103	Chip Resistor - 10kΩ±5%1/16W	87 -227
1650 5105	Chip Resistor - 1mΩ±5%1/16W	87 -228
1650 5109	Chip Resistor 1Ω ±5% 1/16W	87 -229
1650 5122	Chip Resistor - 1.2kΩ±5%1/16W	87 -230
1650 5153	Chip Resistor - 15kΩ ±5% 1/16W	87 -231
1650 5154	Chip Resistor - 150kΩ ±5% 1/16W	87 -232
1650 5220	Resistor - 22Ω ±5% 1/16W	87 -233
1650 5222	Resistor - 2.2KΩ ±5% 1/16W	87 -234
1650 5271	Chip Resistor 270Ω ±5% 1/16W	87 -235
1650 5303	Chip Resistor 30kΩ ±5% 1/16W	87 -236
1650 5304	Resistor 300kΩ ±5% 1/16W	87 -237
1650 5330	Chip Resistor - 33Ω±5%1/16W	87 -238
1650 5470	Chip Resistor 47Ω ±5% 1/16W	87 -239
1650 5471	Chip Resistor - 470Ω -5% 1/16W	87 -240
1650 5472	Chip Resistor:4.7kΩ:±5%:1/16W	87 -241
1650 5473	Chip Resistor - 47kΩ ±5% 1/16W	87 -242
1650 5479	Resistor 4.7Ω ±5% 1/16W	87 -243
1650 5512	Chip Resistor 5.1kΩ ±5% 1/16W	87 -244
1650 5560	Chip Resistor 56Ω ±5% 1/16W	87 -245
1650 5561	Chip Resistor 560Ω ±5% 1/16W	87 -246
1650 5621	Chip Resistor 620Ω ±5% 1/16W	87 -247
1650 5680	Resistor - 68Ω ±5% 1/16W	87 -248
1650 5683	Chip Resistor 68kΩ ±5% 1/16W	87 -249
1650 5822	Chip Resistor:8.2kΩ:±5%:1/16W	87 -250
1650 5911	Resistor 910Ω ±5% 1/16w	87 -251
1653 4999	Resistor - 49.9Ω ±1% 1/8W	87 -252
1653 5499	Resistor - 54.9Ω ±1% 1/8W	87 -253
1654 1002	Resistor - 10KΩ±5%1/10W	101 -240
1654 1004	Chip Resistor - 1mΩ ±1% 1/10W	101 -241
1654 1601	Chip Resistor - 1.6kΩ±1% 1/10W	101 -242
1654 2002	Resistor - 20KΩ±1%1/10W	101 -243
1654 2402	CHIP Resistor:24kΩ:±1%:1/10W	101 -244
1654 3571	CHIP Resistor:3.57kΩ:±1%:1/10W:1608	101 -245

Part No.	Description	Page and Index No.
1654 4301	Resistor - 4.3K Ω \pm 1%1/10W	101 -246
1654 5231	Resistor - 5.23K Ω \pm 1%1/10W	101 -247
1654 8201	Resistor - 8.2K Ω \pm 1% 1/10W	101 -248
1655 0000	Chip Resistor - 0 Ω \pm 0%1/16W	87 -254
1655 1002	Chip Resistor - 10k Ω \pm 1%1/16W	87 -255
1655 1249	Resistor 12.4 Ω \pm 1% 1/16W	87 -256
1655 1501	Chip Resistor 1.5k Ω \pm 1% 1/16W	87 -257
1655 3909	Resistor 39 Ω \pm 1% 1/16W	87 -258
1660 2101	Capacitor - 100pF - \pm 10% - 50V	101 -249
1660 2121	Capacitor - 120pF \pm 5% 50V	101 -250
1660 2150	Capacitor - 15pF \pm 5% 50V	101 -251
1660 2220	Capacitor - 22pF \pm 20% 35V	101 -252
1660 2221	Capacitor - 220pF +80-20% 50V	101 -253
1660 2270	Capacitor - 27pF \pm 20% 35V	101 -254
1660 2330	Capacitor - 33pF - \pm 5% - 50V	101 -255
1660 2471	Capacitor - 470pF - \pm 5% - 50V	87 -259
1660 2471	Capacitor - 470pF - \pm 5% - 50V	101 -256
1660 2560	Capacitor - 56pF \pm 5% 50V	101 -257
1660 4102	Capacitor - 1000pF \pm 10% 50V	101 -258
1660 4103	Capacitor - 10000pF - \pm 10% - 50V	101 -259
1660 4472	Capacitor - 4700PF \pm 10% 50V	101 -260
1660 6103	Capacitor - 10000pF - +80%-20%50V	101 -261
1660 6103	Capacitor - 10000pF - +80%-20%50V	87 -260
1660 6223	Capacitor - 22000pF +80 -20% 50V	101 -262
1660 8104	Capacitor - 0.1 μ F +80-20% 25V	101 -263
1660 8104	Capacitor - 0.1 μ F +80-20% 25V	87 -261
1902 0067	RAM:1M:X8:70NS:G17	101 -264
1906 0075	Flash Memory - MBM29PI64LM90PCN	87 -262
1907 0013	SDRAM:256M:4MX16x4:133Mhz:G1	87 -263

Part No.	Description	Page and Index No.
5203 9501	Grease 501	109 - 8
5206 2686	Snap Ring	19 - 17
5206 2686	Snap Ring	21 - 18
5215 2621	Snap Ring - M6	29 - 4
5215 2621	Snap Ring - M6	49 - 36
5447 2681	Snap Ring	63 - 9
5447 2681	Snap Ring	65 - 7
5447 2769	Stepped Screw	47 - 22